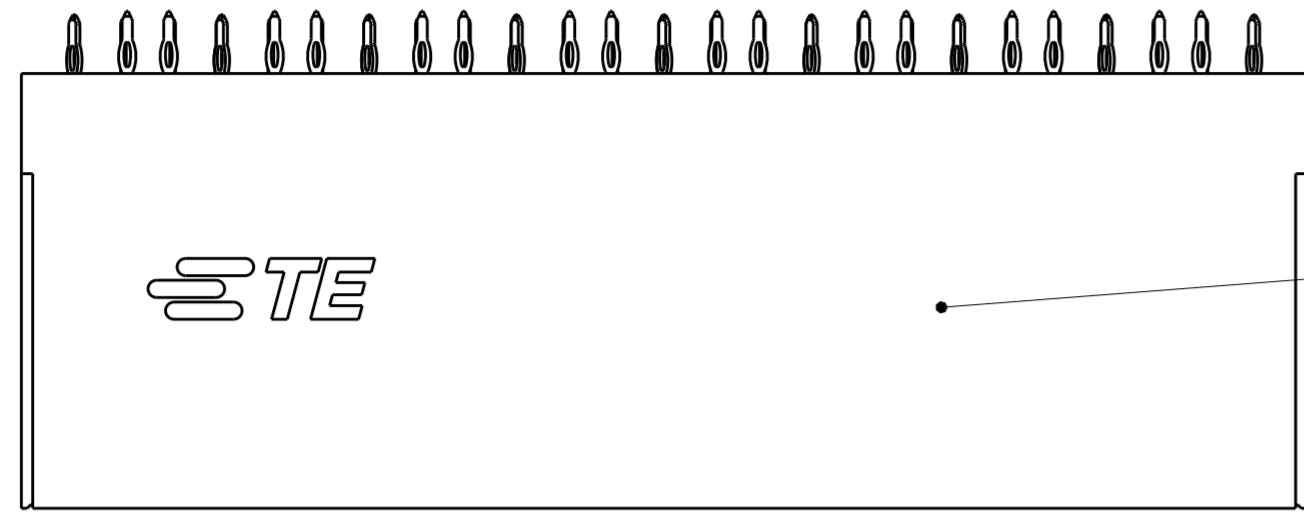


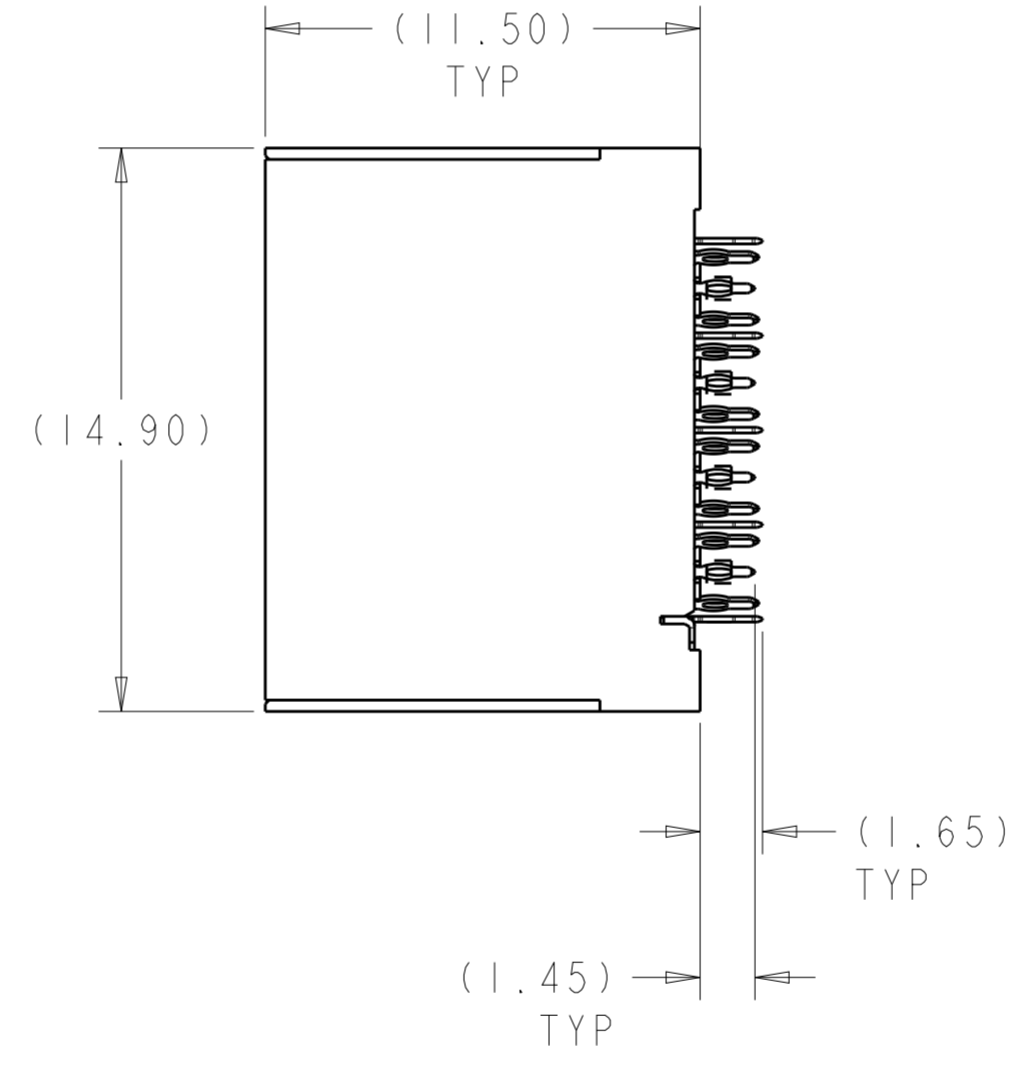
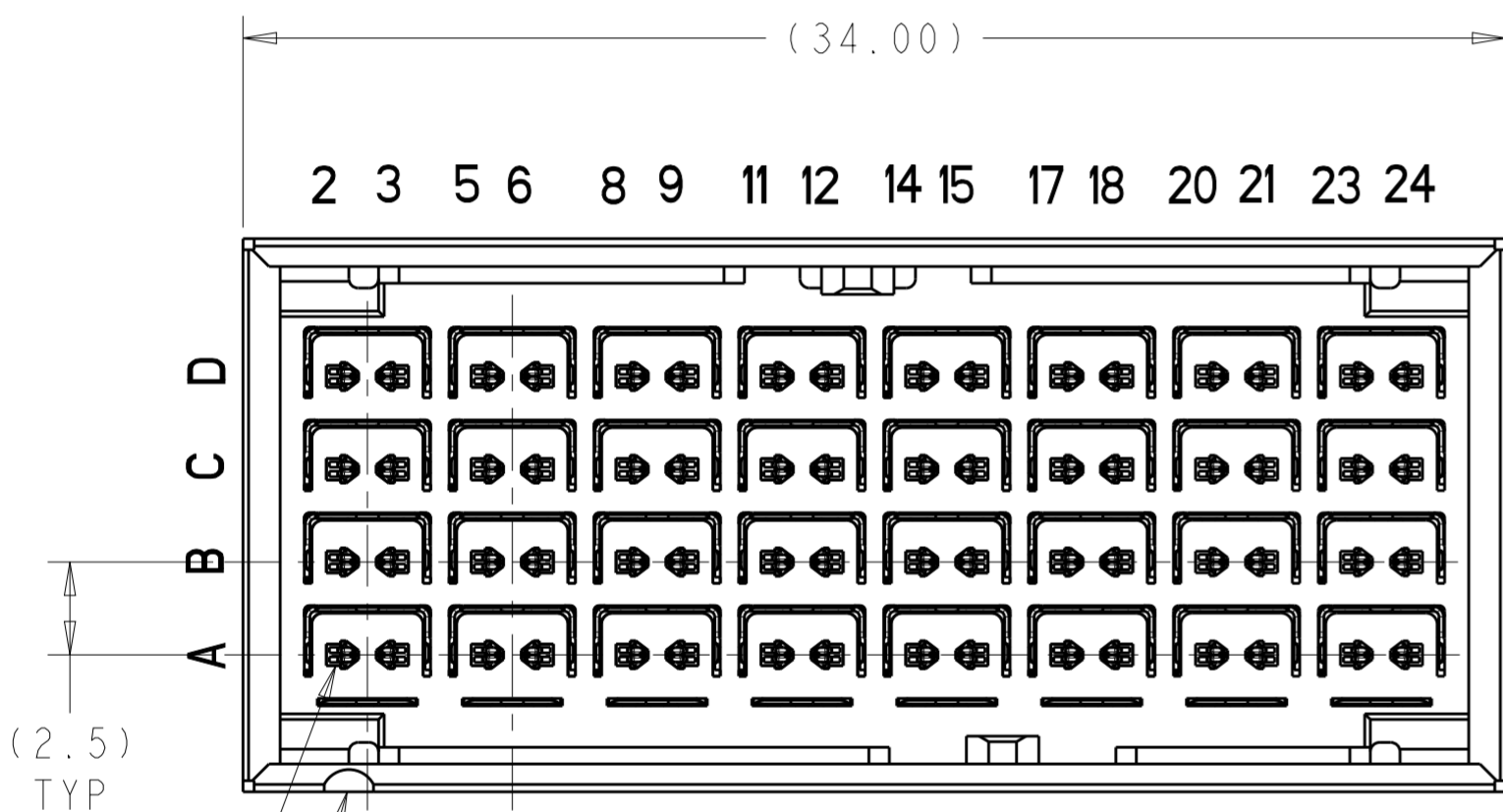
THIS DRAWING IS UNPUBLISHED. RELEASED FOR PUBLICATION 2011  
 © COPYRIGHT 2011 BY TE CONNECTIVITY ALL RIGHTS RESERVED.

LOC	DIST	REVISIONS					
GP	00	P	LTR	DESCRIPTION	DATE	DWN	APVD
		A		NEW DRAWING	25JUL2018	AP	RP



6

- 1 MATERIAL:  
HOUSING: THERMOPLASTIC, UL 94V-0, BLACK  
CONTACTS AND SHIELDS: COPPER ALLOY
- 2 FINISH:  
- CONFORMS TO THE REQUIREMENTS OF TE PRODUCT SPECIFICATION 108-32021 BASED ON TELCORDIA GR-1217-CORE FOR SYSTEM QUALITY LEVEL III, APPLICATIONS IN CONTROLLED ENVIRONMENTS (CENTRAL OFFICE).  
- COMPLIANT PIN AREA: 0.5µm MIN MATTE TIN.
- 3 SIGNAL PLATED THRU HOLE REQUIREMENTS:  
FINISHED HOLE =  $\varnothing 0.34 \pm 0.05$   
HOLE SIZE PRIOR TO PLATING =  $\varnothing 0.420 \pm 0.025$   
COPPER THICKNESS = 0.025 MIN  
IMMERSION TIN IF APPLICABLE = 0.00095 REF
- 4 GROUND AND SI VIA PLATED THRU HOLE REQUIREMENTS:  
FINISHED HOLE =  $\varnothing 0.37 \pm 0.05$   
HOLE SIZE PRIOR TO PLATING =  $\varnothing 0.450 \pm 0.025$   
COPPER THICKNESS = 0.025 MIN  
IMMERSION TIN IF APPLICABLE = 0.00095 REF
- 5 PTH DIMENSIONS APPLY TO THE TOP 1.00mm OF THE PCB THICKNESS FROM THE CONNECTOR MOUNTING SIDE.
- 6 CONNECTOR MARKED WITH PART NUMBER, DATE CODE, AND "100 OHM" IN APPROXIMATE AREA SHOWN.
- 7 DATUMS AND BASIC DIMENSIONS ESTABLISHED BY CUSTOMER.
- 8 APPLIES TO FINISHED HOLE DIAMETER.



POSITION A1  
CORNER INDICATOR

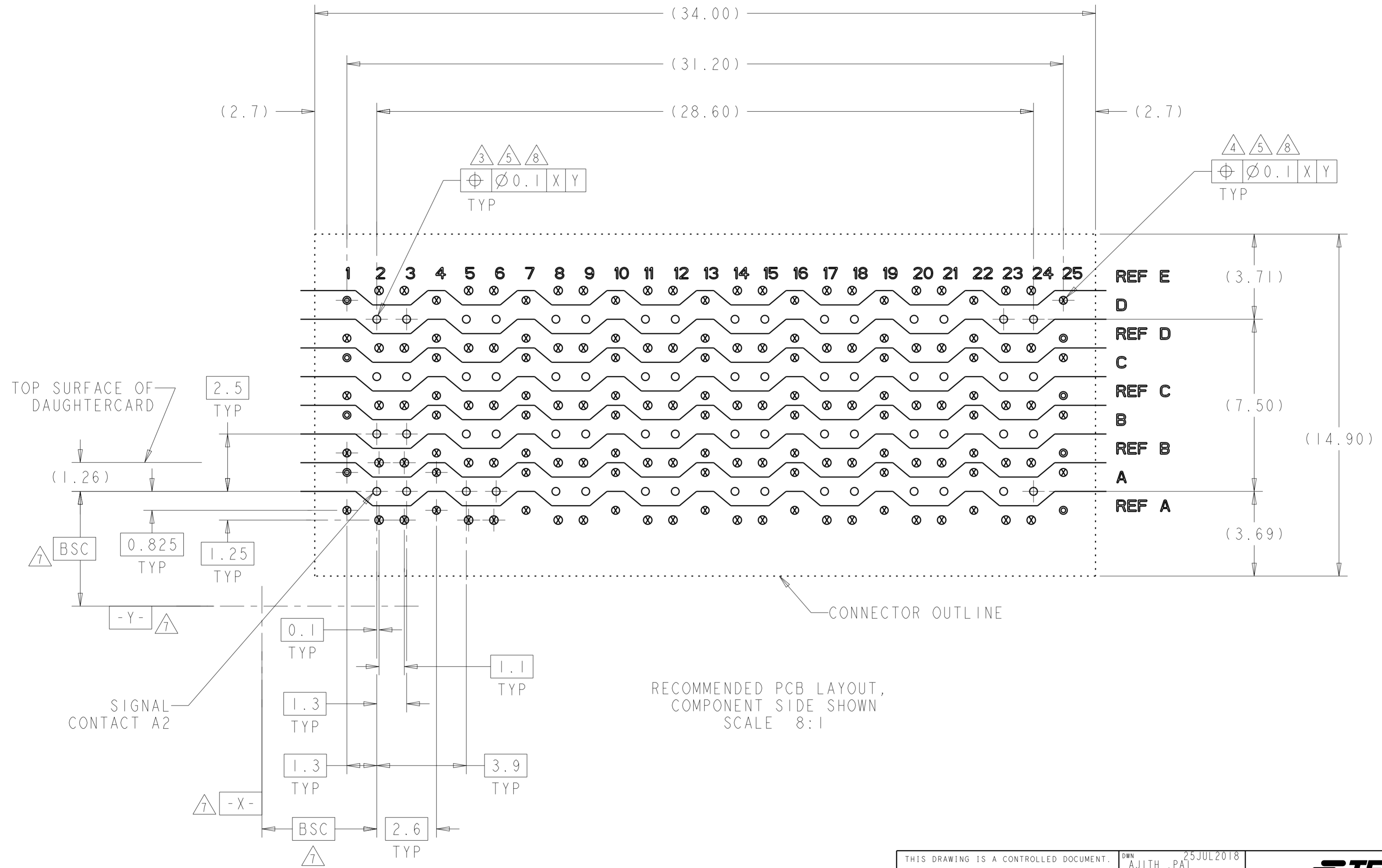
SIGNAL CONTACT A2

2187799-1  
PART NO

THIS DRAWING IS A CONTROLLED DOCUMENT.		DWN AJITH .PAL 25JUL2018	<b>STE</b> TE Connectivity	
DIMENSIONS: mm		CHK AJITH .PAL 25JUL2018		
TOLERANCES UNLESS OTHERWISE SPECIFIED:		APVD R. PATTERSON 25JUL2018	NAME HEADER ASSEMBLY, 4 PAIR, 8 COLUMN, BACKPLANE, 92 OHM, PAIR-IN-ROW, STRADA WHISPER	
0 PLC ±		PRODUCT SPEC 108-32021	SIZE A2	
1 PLC ±		APPLICATION SPEC 114-32029	CAGE CODE 00779	DRAWING NO C-2187799
2 PLC ±		WEIGHT -	RESTRICTED TO -	
3 PLC ±		CUSTOMER DRAWING		
4 PLC ±		SCALE 5:1 SHEET 1 OF 2 REV A		
ANGLES ±				
FINISH				

THIS DRAWING IS UNPUBLISHED. RELEASED FOR PUBLICATION 2011  
 © COPYRIGHT 2011 BY TE CONNECTIVITY ALL RIGHTS RESERVED.

LOC	DIST	REVISIONS					
GP	00	P	LTR	DESCRIPTION	DATE	DWN	APVD
		-		SEE SHEET 1			



- = SIGNAL
- ⊗ = GROUND
- ⊙ = SIGNAL INTEGRITY VIA TO GROUND

THIS DRAWING IS A CONTROLLED DOCUMENT.		DWN AJITH .PAL 25JUL2018	 TE Connectivity	NAME HEADER ASSEMBLY, 4 PAIR, 8 COLUMN, BACKPLANE, 92 OHM, PAIR-IN-ROW, STRADA WHISPER		
DIMENSIONS: mm		CHK AJITH .PAL 25JUL2018		PRODUCT SPEC 108-32021	SIZE A2	CAGE CODE 00779
TOLERANCES UNLESS OTHERWISE SPECIFIED:		APVD R. PATTERSON 25JUL2018		APPLICATION SPEC 114-32029	DRAWING NO C-2187799	RESTRICTED TO -
MATERIAL		FINISH		WEIGHT	SCALE 5:1 SHEET 2 OF 2 REV A	

单击下面可查看定价，库存，交付和生命周期等信息

[>>TE Connectivity\(泰科\)](#)