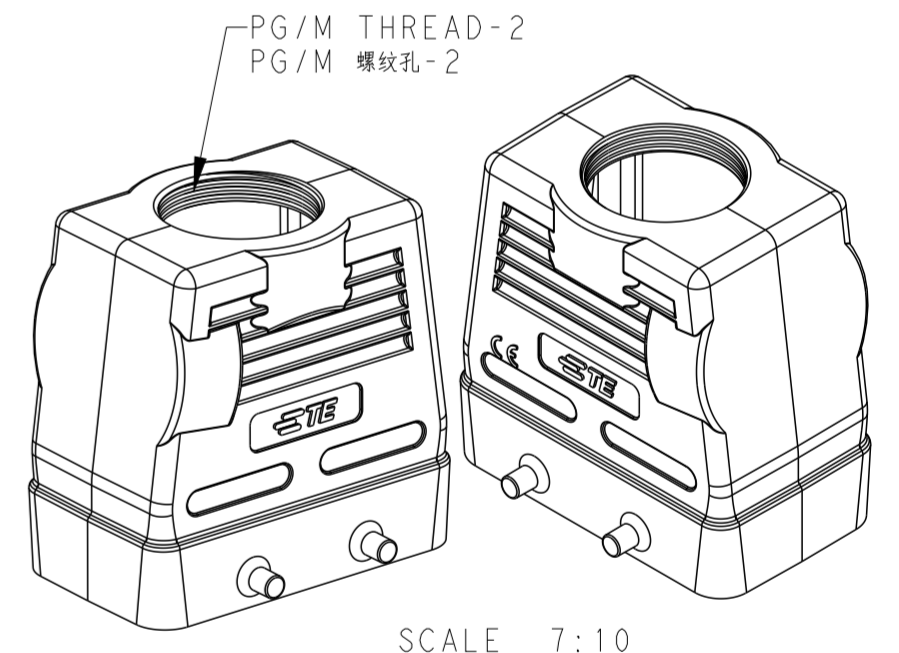
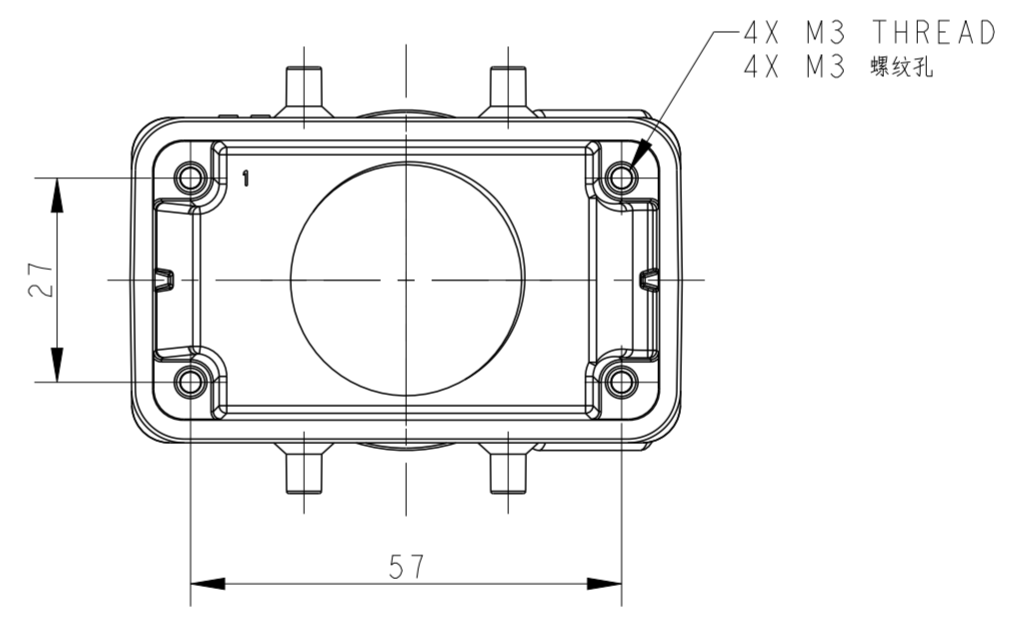
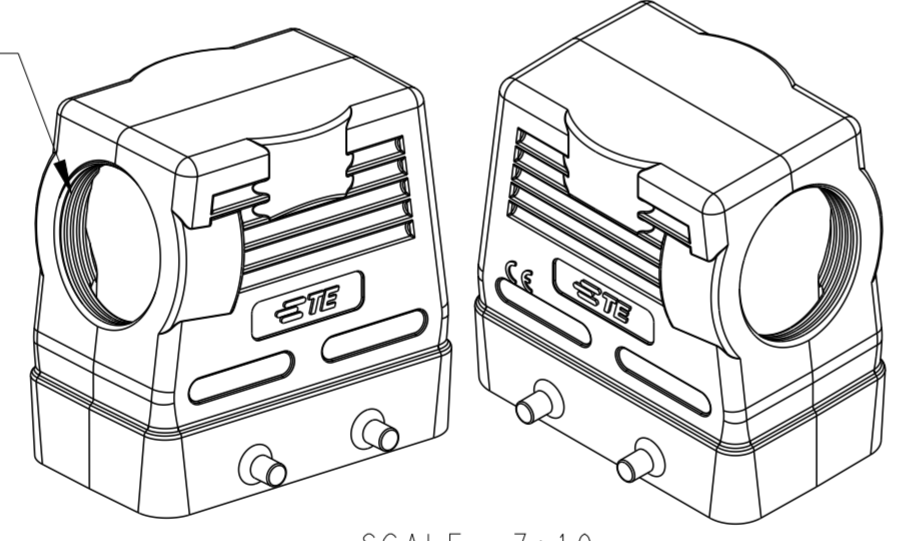
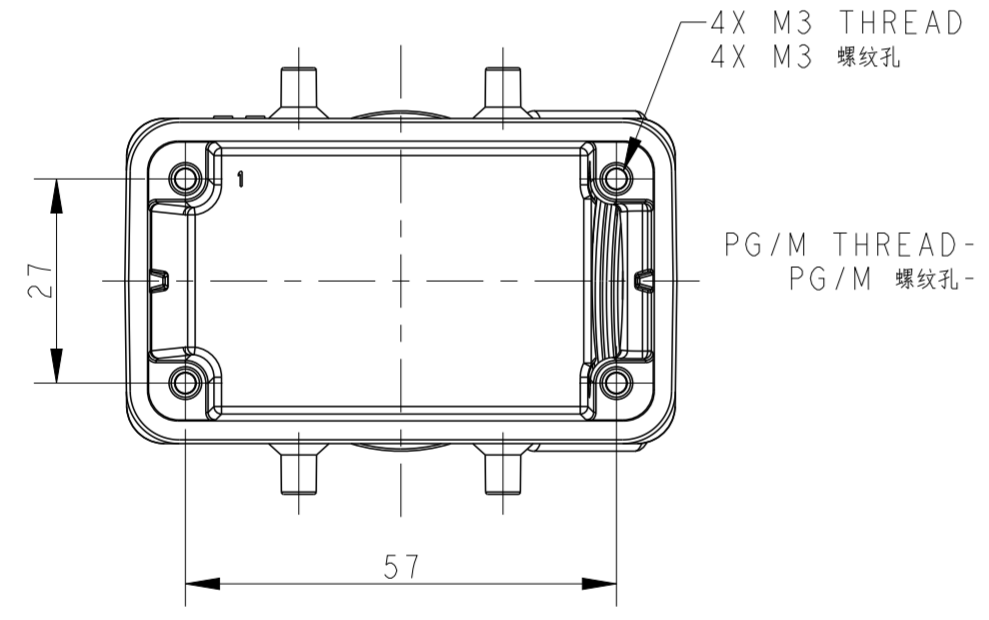
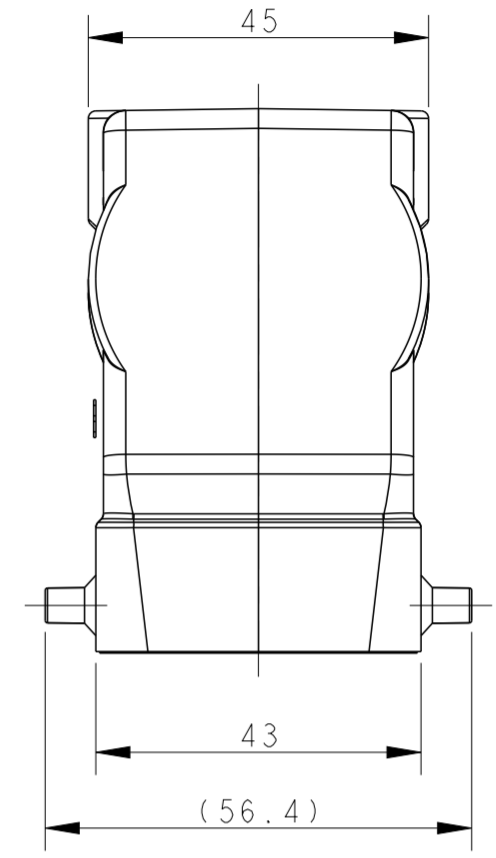
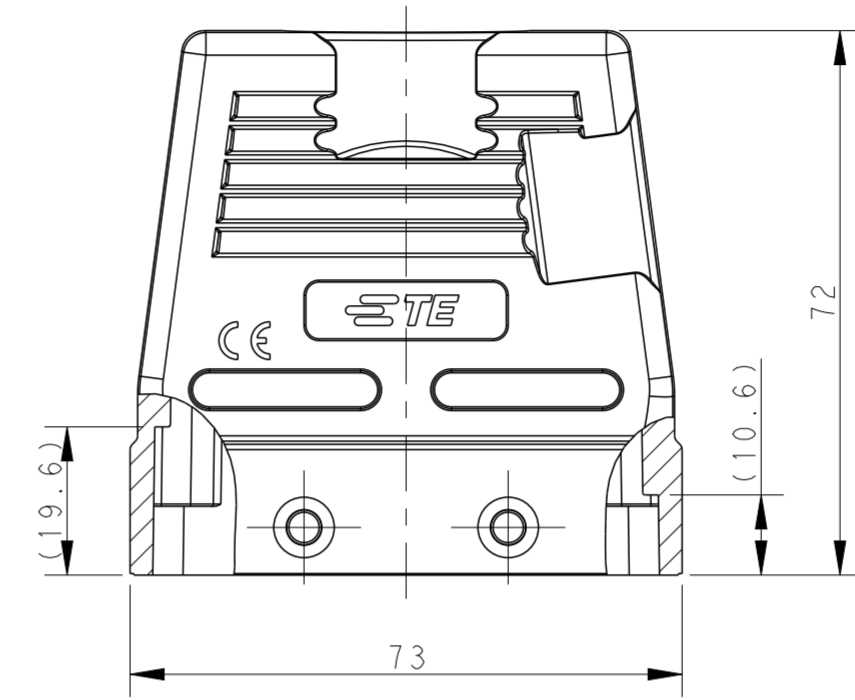
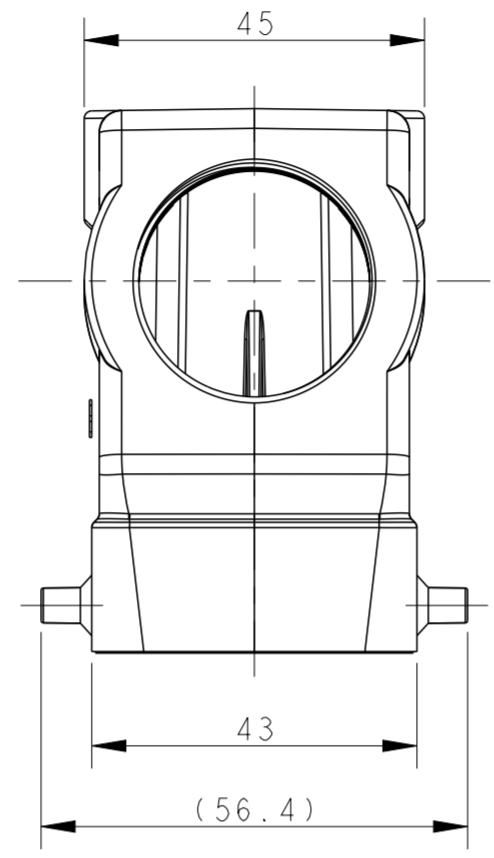
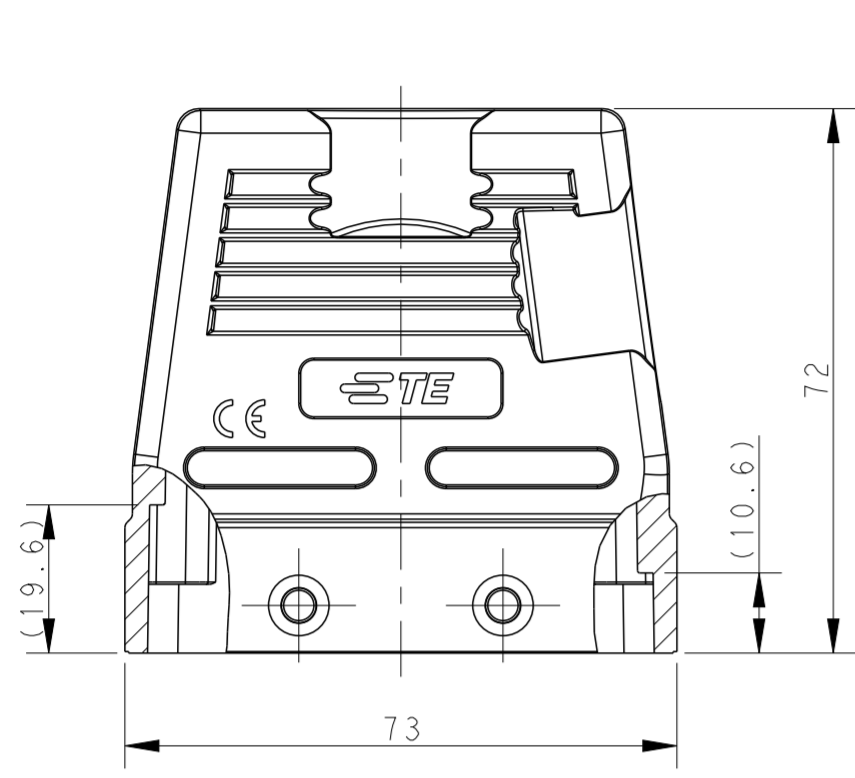


REVISIONS					
P	LTR	DESCRIPTION	DATE	DWN	APVD
B		ECR-20-008181	24FEB2021	WOR	CW
B1		ECR-21-103925	11JUN2021	WOR	CW
B2		ECR-21-106785	09JUL2021	WOR	CW
B3		ECR-22-137056	27APR2022	WOR	CW



SCALE 7:10
TYPE 1: HIGH CONSTRUCTION, SIDE ENTRY

SCALE 7:10
TYPE 2: HIGH CONSTRUCTION, TOP ENTRY

NOTES:
1. TECHNICAL CHARACTERISTICS:
HOOD MATERIAL: DIE CAST ALUMINIUM ALLOY
SURFACE: POWDER COATED, GREY
DEGREE OF PROTECTION: IP65 (MATED)
注释:
1. 技术参数:
上壳材料: 铝合金
表面处理: 灰色粉末喷涂
防护等级: IP65(配合)

T1230100132-002	H10B-TSH-M32, SHORT RIB	H10B HOOD, SIDE ENTRY M32, 4 EAR HIGH CONSTRUCTION, SHORT RIB, POWDER COATED, GREY H10B上壳, 侧出M32, 4耳, 高结构, 短筋条, 灰色粉末喷涂	M32	-	TYPE 1 类型1
T1240100132-002	H10B-TGH-M32, SHORT RIB	H10B HOOD, TOP ENTRY M32, 4 EAR HIGH CONSTRUCTION, SHORT RIB, POWDER COATED, GREY H10B上壳, 顶出M32, 4耳, 高结构, 短筋条, 灰色粉末喷涂	-	M32	TYPE 2 类型2
PART NUMBER 零件料号	PART DESCRIPTION 零件描述	PG/M THREAD-1 PG/M 螺纹孔-1	PG/M THREAD-2 PG/M 螺纹孔-2	TYPE 类型	

THIS DRAWING IS A CONTROLLED DOCUMENT.

DIMENSIONS: mm	TOLERANCES UNLESS OTHERWISE SPECIFIED: 0 PLC ± 1 PLC ± 2 PLC ± 3 PLC ± 4 PLC ± ANGLES ±	DWN DAVID WANG 10JUL2020 CHK GINO YAO 10JUL2020 APVD CHRIS WANG 10JUL2020	TE Connectivity NAME H10B-TSH/TGH-M, SHORT RIB SIZE A2 CAGE CODE 00779 DRAWING NO. T12X01001XX002 RESTRICTED TO WEIGHT - SCALE 1:1 SHEET 1 OF 1 REV B3		
MATERIAL -	FINISH -	PRODUCT SPEC 108-137013 APPLICATION SPEC 114-137013	CUSTOMER DRAWING		

单击下面可查看定价，库存，交付和生命周期等信息

[>>TE Connectivity\(泰科\)](#)