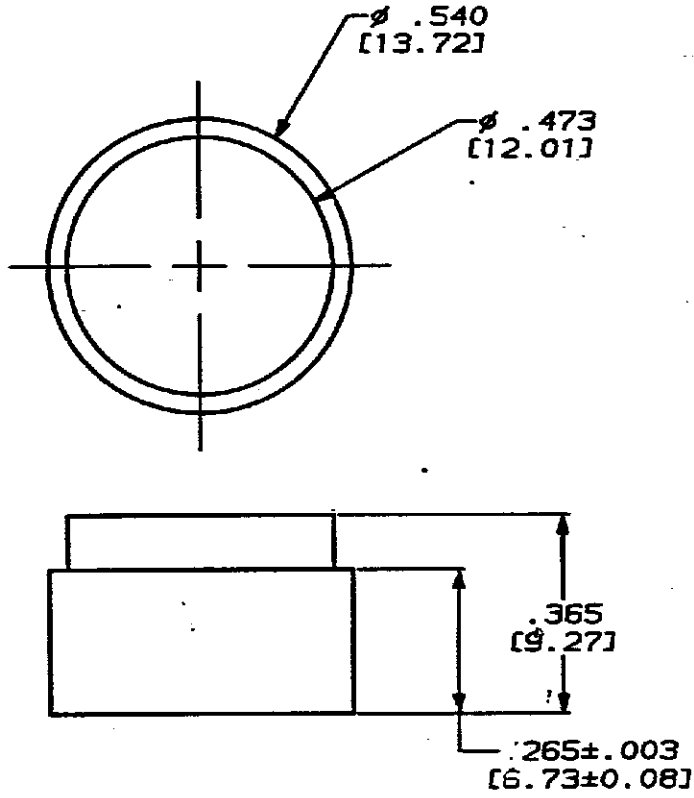


DRAWING MADE IN THIRD ANGLE PROJECTION

PROD 4971 CODE	LOC DF	DIST AO	REVISIONS				DATE	APPROVED
			P	F	LTR	DESCRIPTION		
			✓		0	RELEASED PER NPR 91-0288	T.S.	-

THIS DRAWING IS UNPUBLISHED. RELEASED FOR PUBLICATION BY AMP INCORPORATED. ALL INTERNATIONAL RIGHTS RESERVED. © COPYRIGHT 19



448143-1  
PART NO

DO NOT SCALE PRINT. UNLESS SPECIFIED DIMENSIONS IN INCHES AND TOLERANCES ON: UN P.L.C DEC * .001 P.L.C DEC * .005 (D. 13) ANGLES *		OR 9-18-61 T. SNEY OR 9-18-61 S. WRIGHT APPD 9-18-61 S. WRIGHT	<b>AMP</b> AMP Incorporated Harrisburg, PA 17105-3608	
MATERIAL TEFLON PER MIL-P-19468A		APPD - PRODUCT SPEC -	NAME PLUG, SEALING, SIZE ONE, ARINC 600	
FINISH		APPLICATION SPEC - WEIGHT -	SIZE A	CASE CODE 00779
			DRAWING NO 448143	SCALE 4:1
			SHEET 1 of 1	

AMP 1489-32 REV 11-65  
 10 3P 100 16-6-61 AMP INC 448143-1-1

CUSTOMER DRAWING

单击下面可查看定价，库存，交付和生命周期等信息

[>>TE Connectivity\(泰科\)](#)