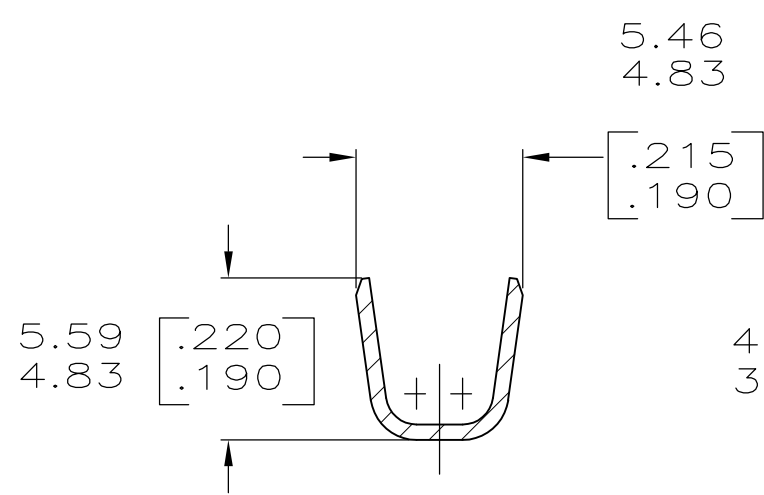
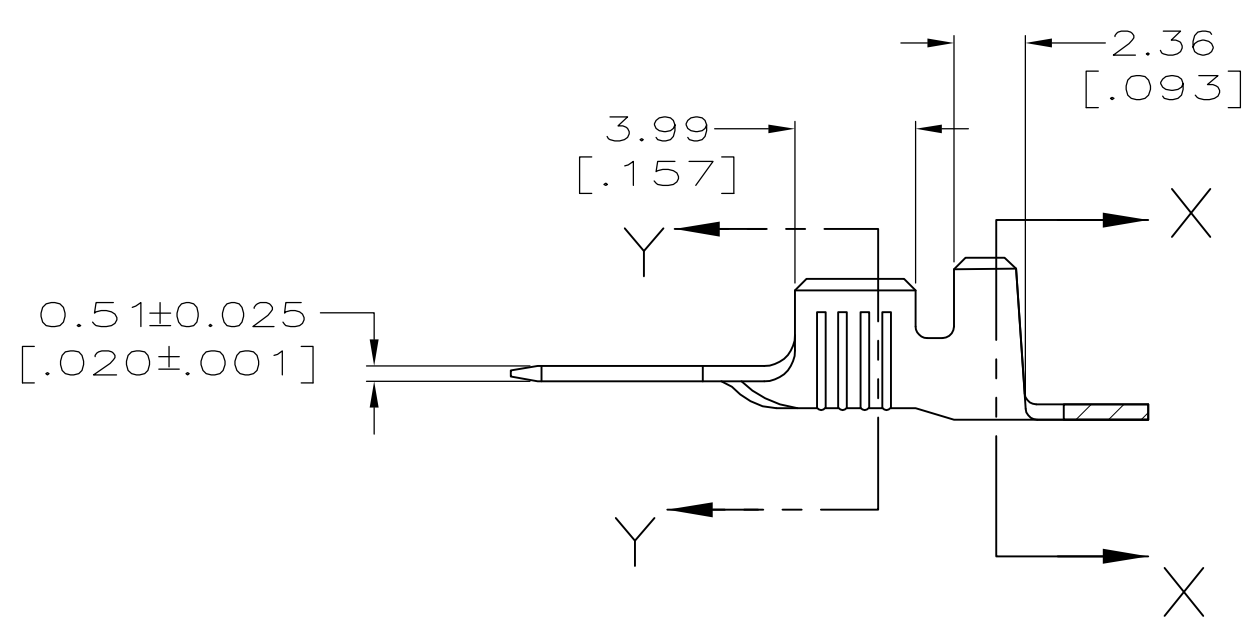
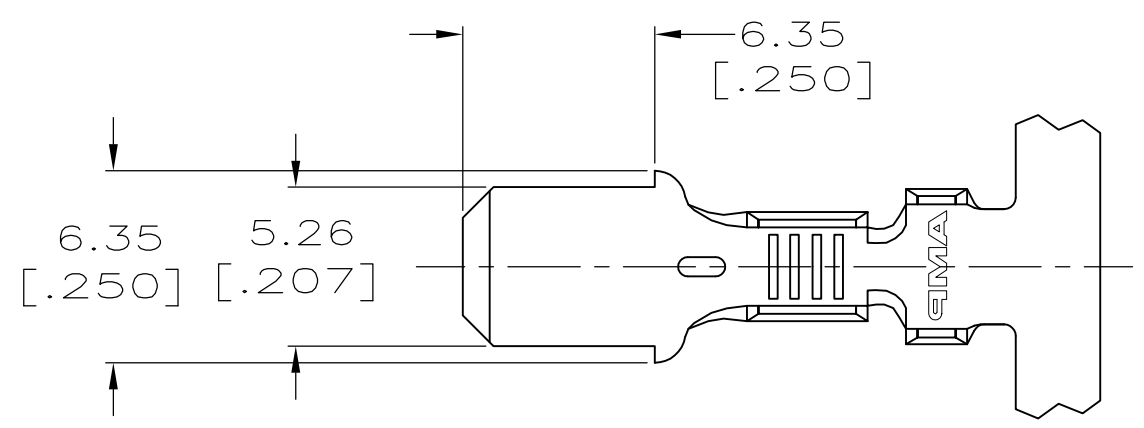
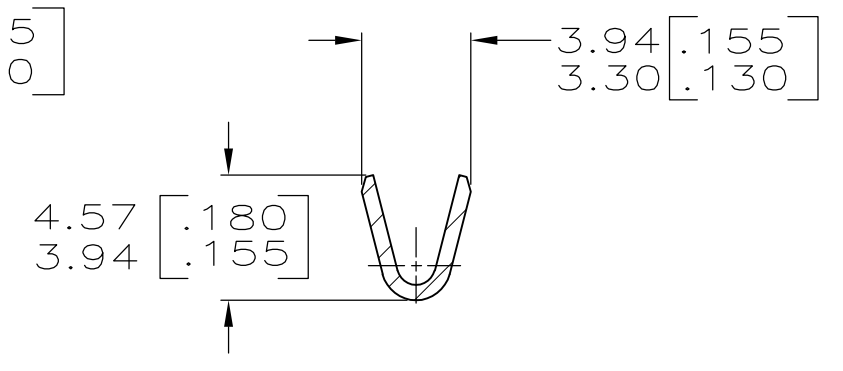


THIS DRAWING IS UNPUBLISHED. RELEASED FOR PUBLICATION  
 © COPYRIGHT - By - ALL RIGHTS RESERVED.

LOC	DIST	REVISIONS			
P	LTR	DESCRIPTION	DATE	DWN	APVD
AF	50				
	D	REVISED PER ECR-13-011489	04DEC2013	KH	PD



SECTION X-X



SECTION Y-Y

- CONTINUOUS STRIP ON REELS.
- WIRE SIZE IS [#18-#14] AWG.
- INSULATION RANGE 3.05-3.81 [.120-.150] DIA.

63223-1  
PART NO.

THIS DRAWING IS A CONTROLLED DOCUMENT.		DWN	JR RUTH	1/9/97	TE Connectivity NAME TAB, FASTON, 5.21 [.205] SERIES			RESTRICTED TO			
DIMENSIONS: mm [INCHES]		CHK	MS FEHER	1/9/97				SIZE		CAGE CODE	DRAWING NO
TOLERANCES UNLESS OTHERWISE SPECIFIED:		APVD	J HUZVAR	1/9/97				A3		00779	C-63223
0 PLC ± - 1 PLC ± - 2 PLC ± 0.38 [.015] 3 PLC ± - 4 PLC ± - ANGLES ± -		PRODUCT SPEC	-					SCALE		4:1	SHEET
MATERIAL		FINISH		WEIGHT		CUSTOMER DRAWING		1 OF 1	REV		
BRASS		TIN		-				D			

单击下面可查看定价，库存，交付和生命周期等信息

[>>TE Connectivity\(泰科\)](#)