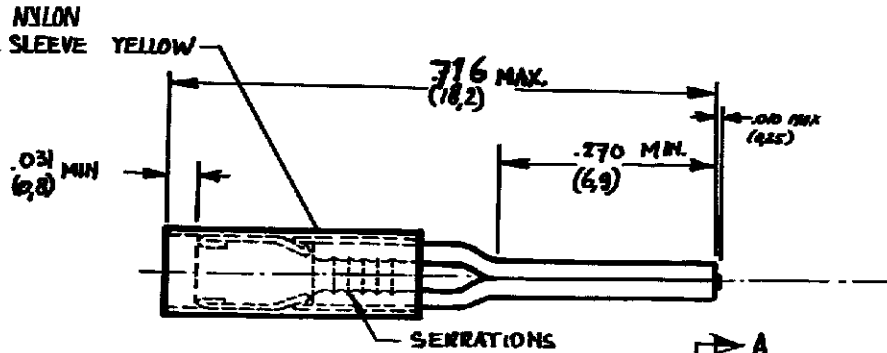


NUMBER C-165514

DRAWING MADE IN AMERICAN PROJECTION

REV.	DESCRIPTION	DATE	DRAWN	APVD
D4	REVISED PER ECO-16-001585	04FEB2016	NK	DR



▲ STAMP AMP * APPROX AS SHOWN



SECTION A-A

DOC. CENTRE
29 OKT. 1991

DIMENSIONS IN (MM) DO NOT SCALE PRINT

CUSTOMER COPY FOR REFERENCE ONLY



TE Connectivity

ORDER NO.	MATERIAL	PLATING	WIRE RANGE 26-22 AWG (0.65-0.91 mm)	INSUL. RANGE -0.83 DIA. (2.1)	FIRST USED
165514-1	COPPER	TINPLATED			
DR	DATE	DE	SCALE	SIZE	NO
R.W.M.B.	15-8-7		N.T.S.	A	C-165514
CHK	DATE	OFF	NAME	PIDG WIRE PIN	
				REV D4	

单击下面可查看定价，库存，交付和生命周期等信息

[>>TE Connectivity\(泰科\)](#)