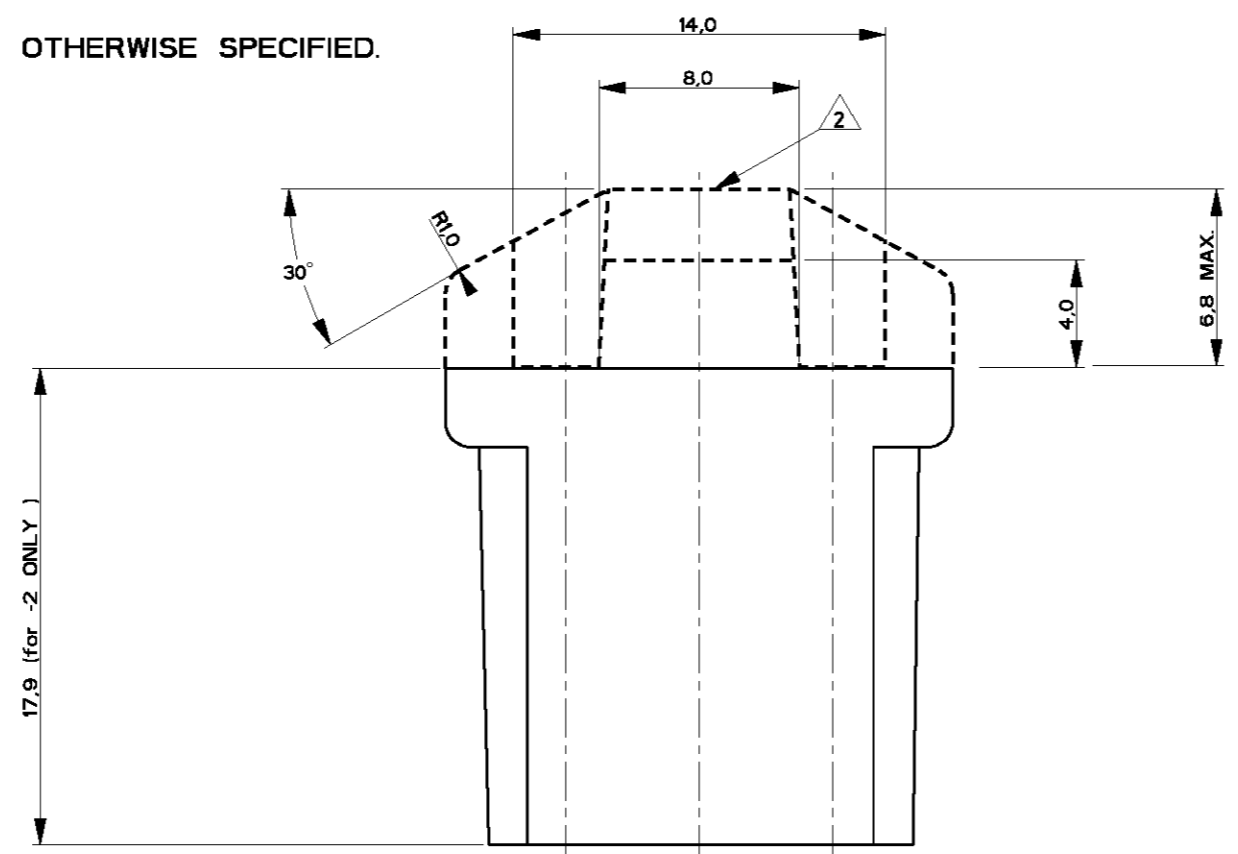


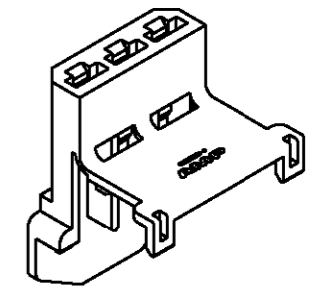
THIS DRAWING IS UNPUBLISHED. RELEASED FOR PUBLICATION
 © COPYRIGHT - BY TYCO ELECTRONICS CORPORATION. ALL RIGHTS RESERVED.

LOC	DIST	REVISIONS			
P	LTR	DESCRIPTION	DATE	DWN	APVD
H	-	C	EHB0-0110-04	30SEP04	RvH MvD

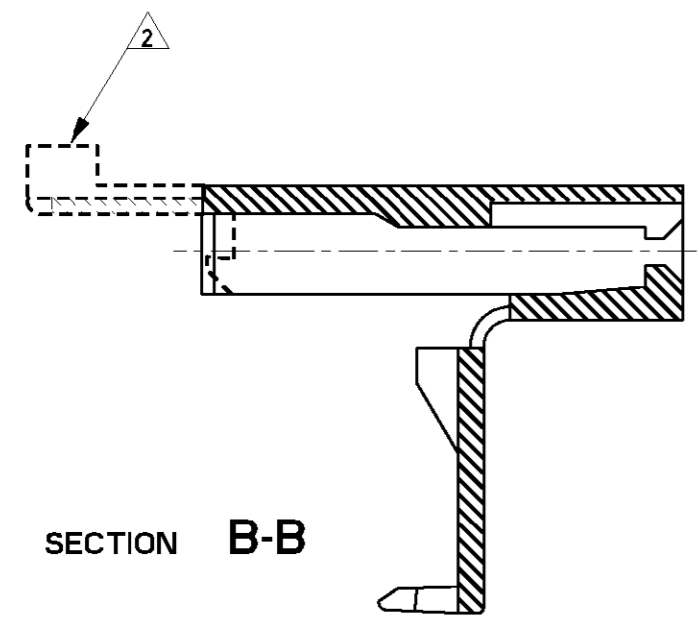
NOTES:
 1 GENERAL TOLERANCE $\pm 0,3$ UNLESS OTHERWISE SPECIFIED.
 2 : DOTTED LINES : CONFIGURATION FOR -1 ONLY



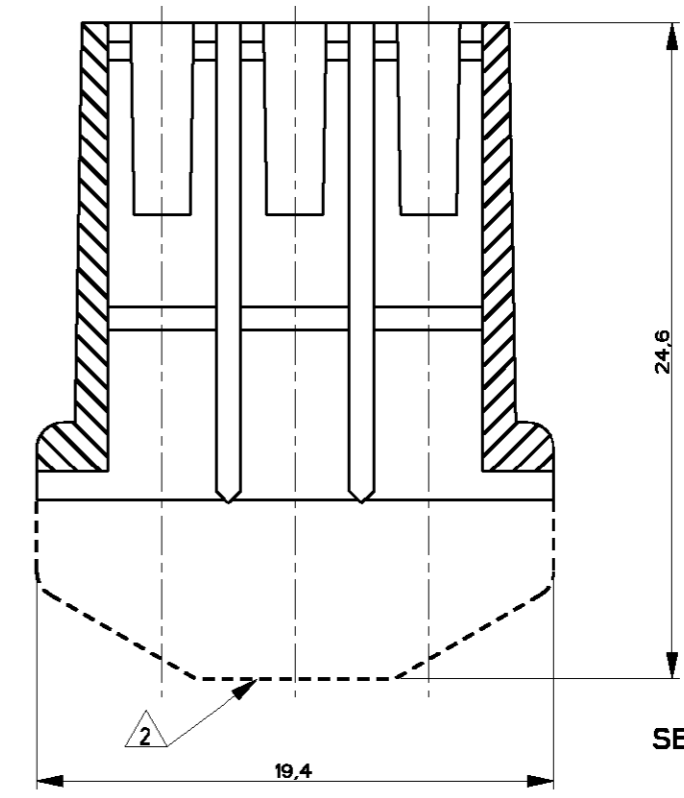
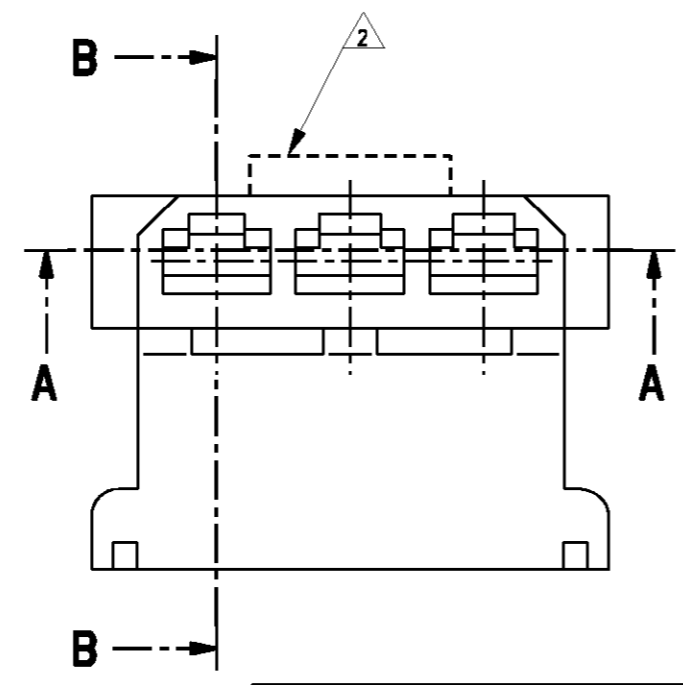
-2 AS SHOWN



3-VIEW FOR -1 ONLY



SECTION B-B



SECTION A-A

BLACK	NYLON UNFILLED	0-188342-2
BLACK	NYLON UNFILLED	0-188342-1
FINISH	MATERIAL	PARTNUMBER

THIS DRAWING IS A CONTROLLED DOCUMENT FOR TYCO ELECTRONICS CORPORATION. IT IS SUBJECT TO CHANGE AND THE CONTROLLING ENGINEERING ORGANIZATION SHOULD BE CONTACTED FOR THE LATEST REVISION.

DIMENSIONS:	TOLERANCES UNLESS OTHERWISE SPECIFIED:
mm	0 PLC \pm
	1 PLC \pm
	2 PLC \pm
	3 PLC \pm
	4 PLC \pm
	ANGLES \pm
MATERIAL	FINISH

DWN	RvHEUVEN	40CT04	 TYCO ELECTRONICS NEDERLAND B.V. 's-HERTOGENBOSCH, THE NETHERLANDS
CHK	-	-	
APVD	MvDRIEL	40CT04	NAME 3 POS. FAST-ON HOUSING WITH SECOND LOCKING
PRODUCT SPEC	-	-	
APPLICATION SPEC	-	-	RESTRICTED TO
WEIGHT	-	-	SIZE A3 CAGE CODE 00779 C=188342
CUSTOMER DRAWING			SCALE NTS SHEET 1 OF 1 REV C

单击下面可查看定价，库存，交付和生命周期等信息

[>>TE Connectivity\(泰科\)](#)