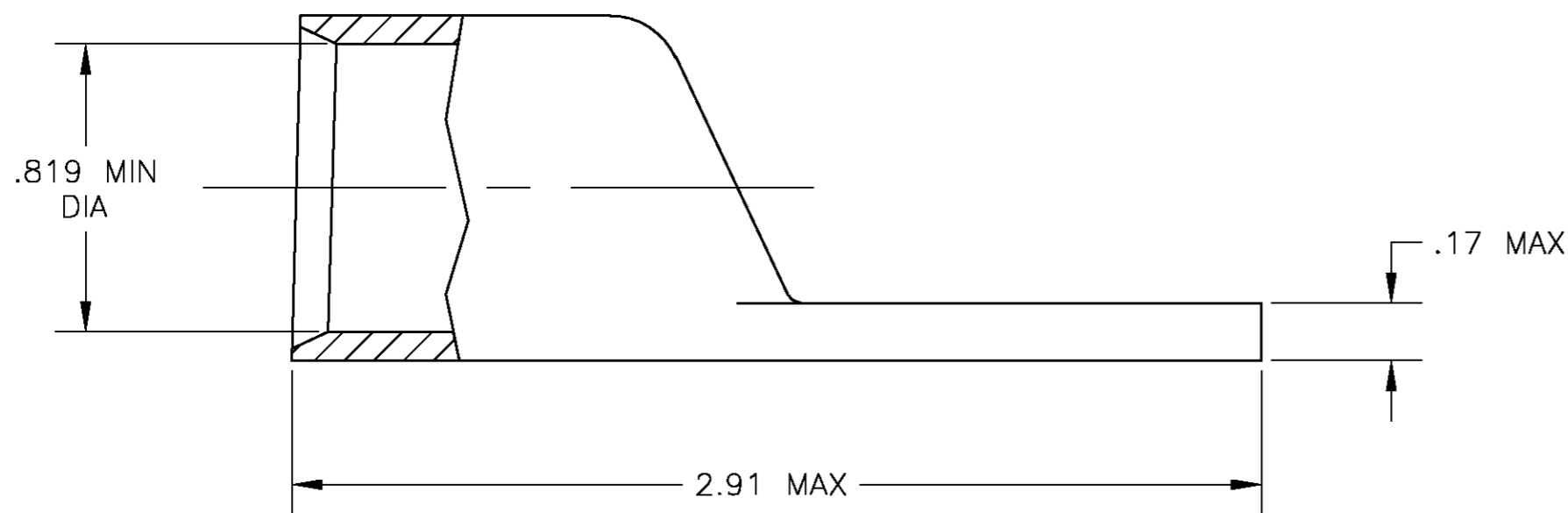
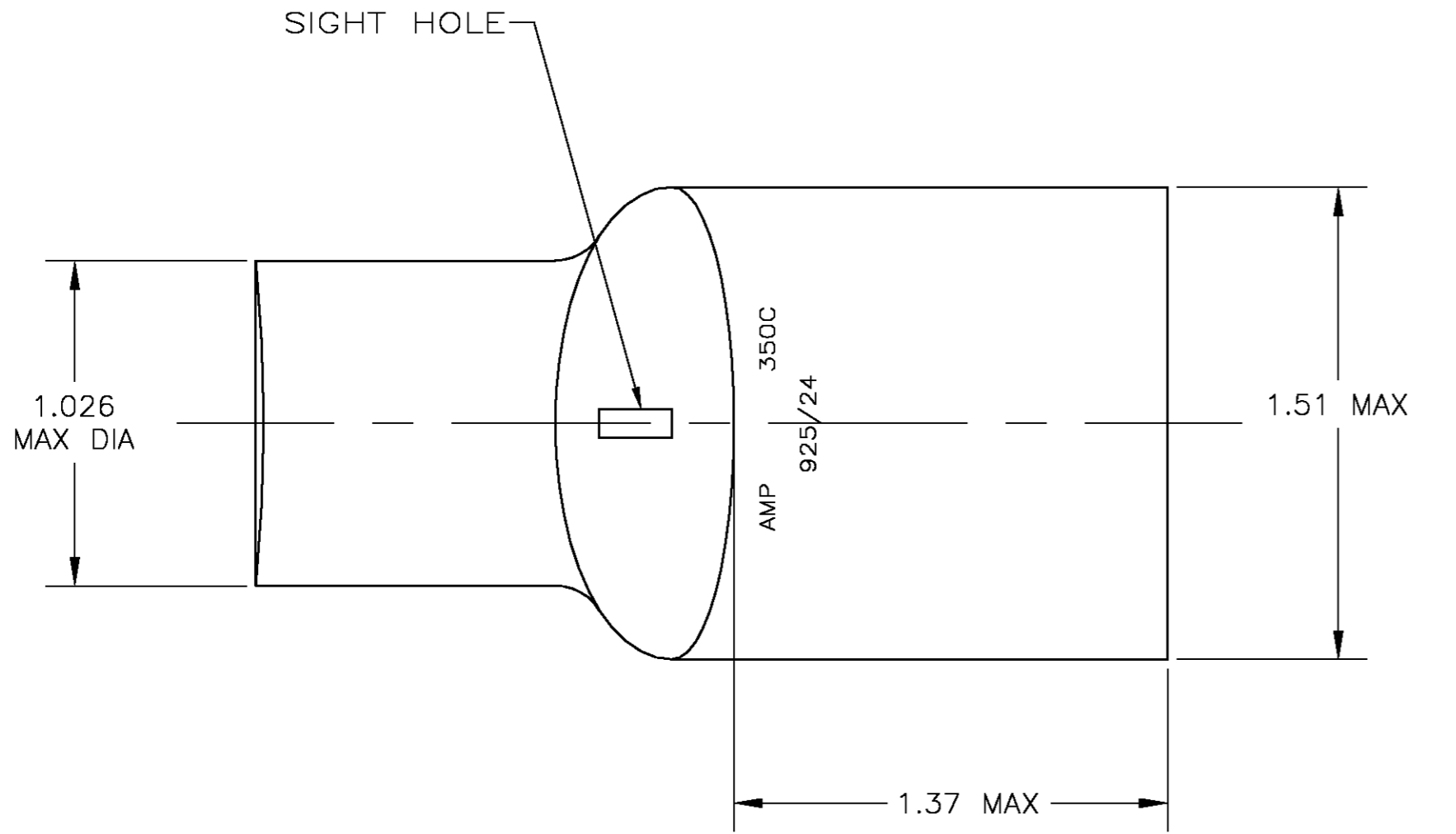


THIS DRAWING IS UNPUBLISHED. RELEASED FOR PUBLICATION  
 © COPYRIGHT BY TYCO ELECTRONICS CORPORATION. ALL RIGHTS RESERVED.

LOC	DIST	REVISIONS					
		P	LTR	DESCRIPTION	DATE	DWN	APVD
G	86		N	REV PER 0G3A-04B1-03	06AUG03	JR	MS



- 1 CIRCULAR MIL AREA RANGE: 325-375 MCM
- 2 TIN PL .000150 MIN THK PER ASTM B 545
- 3 CLEANED, UNPLATED
- 4 ANNEALED COPPER PER ASTM B-75

3	325906-3		
2	325906		
FINISH	PART NO.		
Tyco Electronics Corporation Harrisburg, PA 17105			
NAME: TERMINAL, AMPPOWER, WIRE SIZE: 350 MCM			
SIZE	CAGE CODE	DRAWING NO	RESTRICTED TO
A2	00779	C=325906	-
SCALE 2:1		SHEET 1 OF 1	REV N

THIS DRAWING IS A CONTROLLED DOCUMENT.		DWN	DK SCHRUM	03/09/90
DIMENSIONS: INCHES		CHK	MS FEHER	23JAN95
TOLERANCES UNLESS OTHERWISE SPECIFIED:		APVD	M SPICER	23JAN95
0 PLC	± -	PRODUCT SPEC	108-30200	
1 PLC	± -	APPLICATION SPEC	-	
2 PLC	± .020	WEIGHT	.207 LB	
3 PLC	± -	CUSTOMER DRAWING	SCALE 2:1	
4 PLC	± -		SHEET 1 OF 1	
ANGLES	± -		REV N	
FINISH	SEE TABLE			

325906

单击下面可查看定价，库存，交付和生命周期等信息

[>>TE Connectivity\(泰科\)](#)