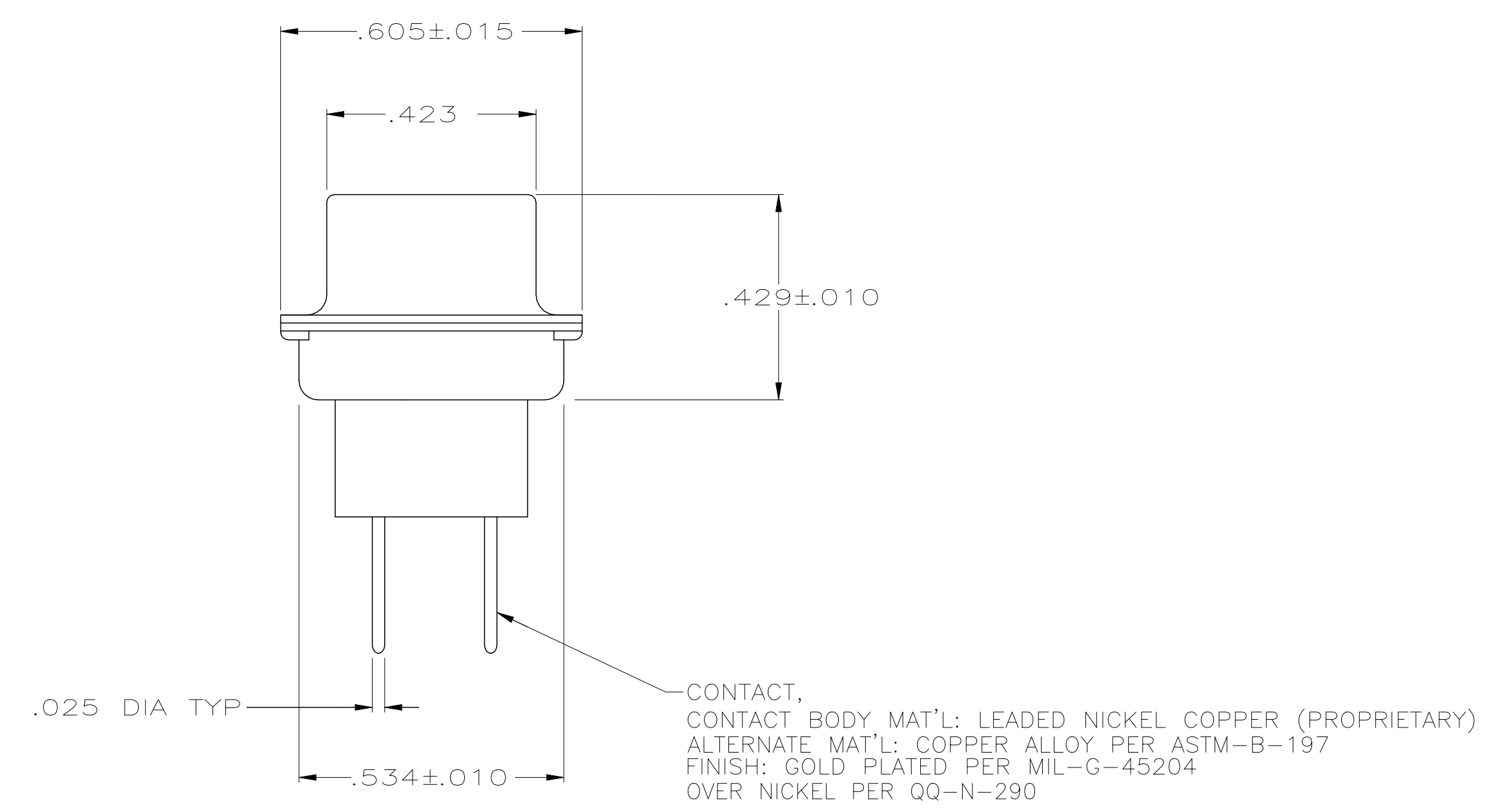
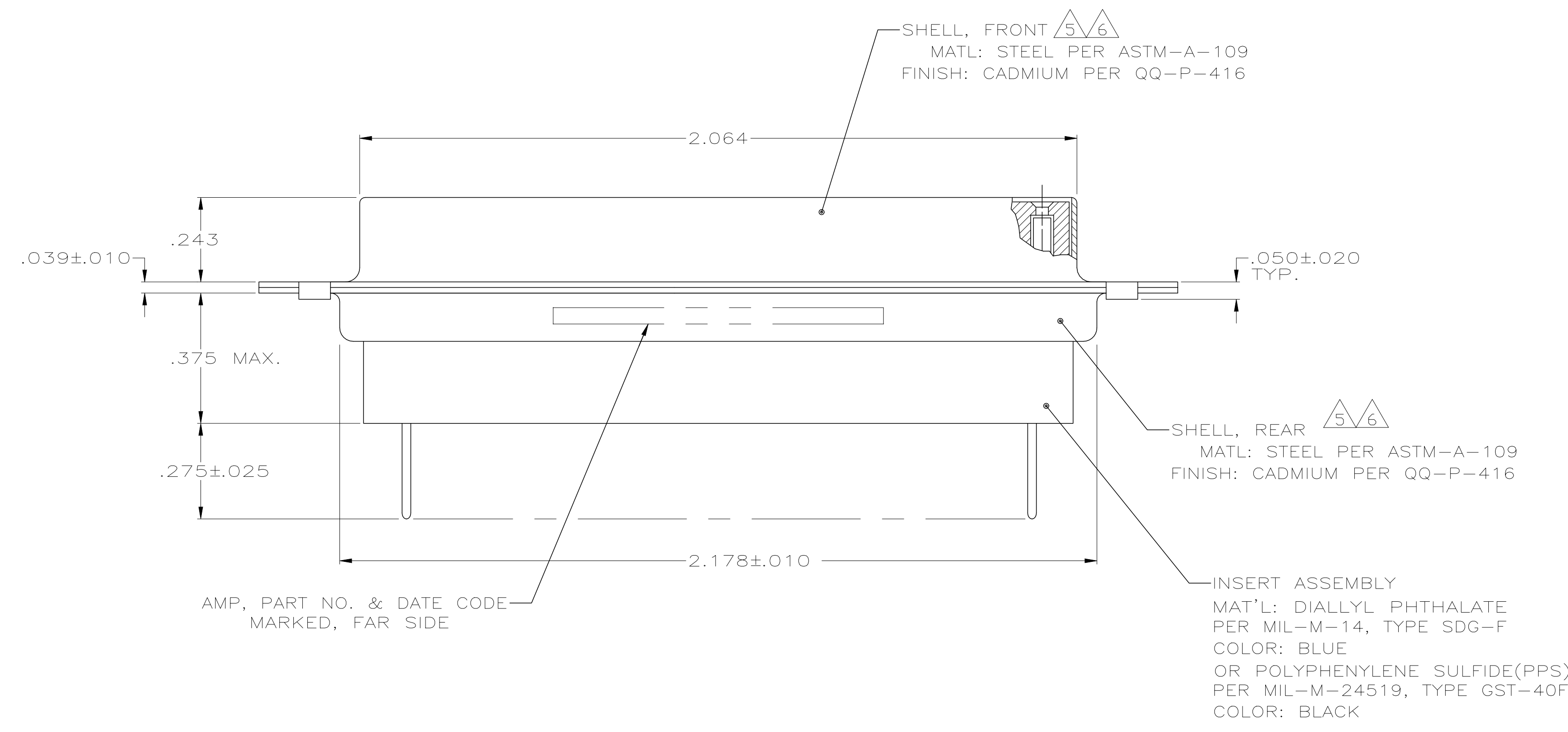
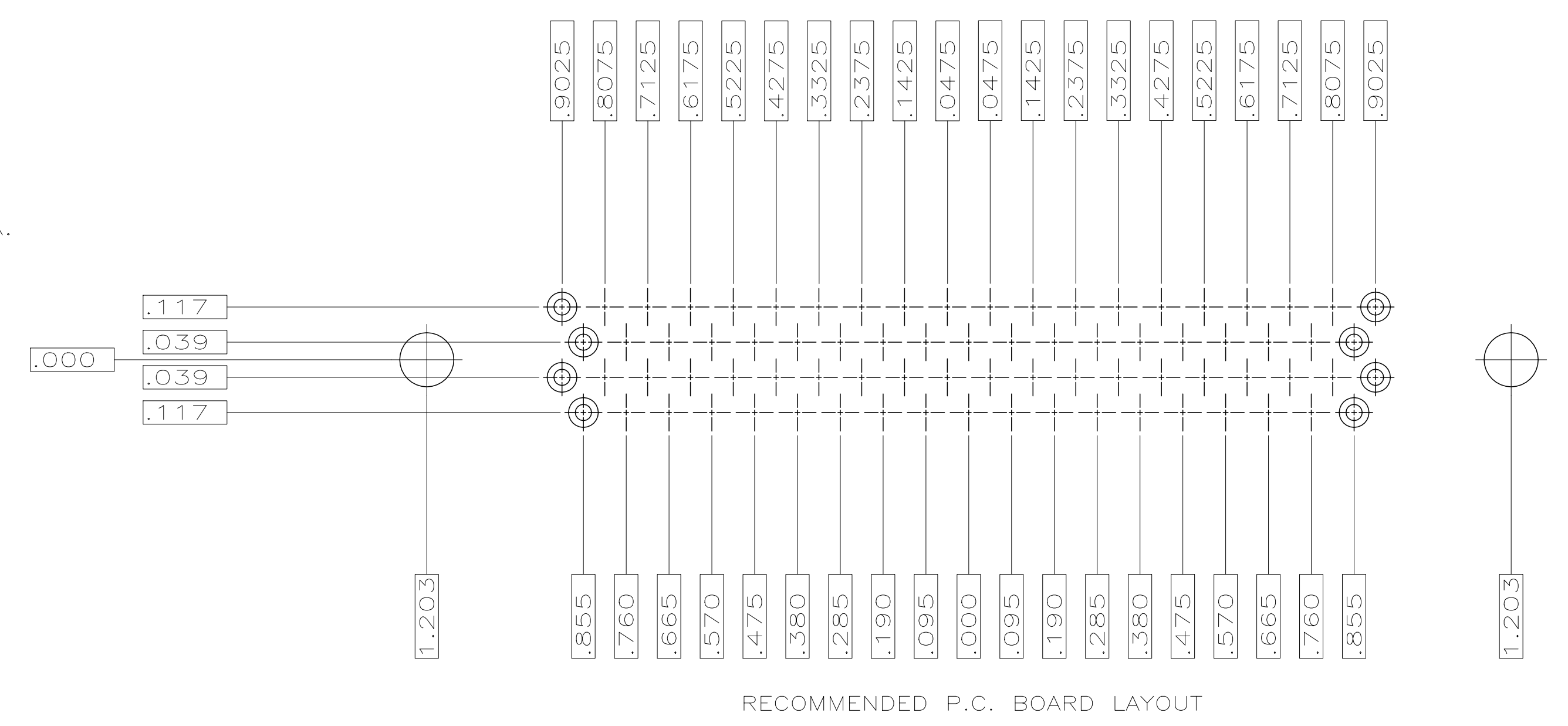
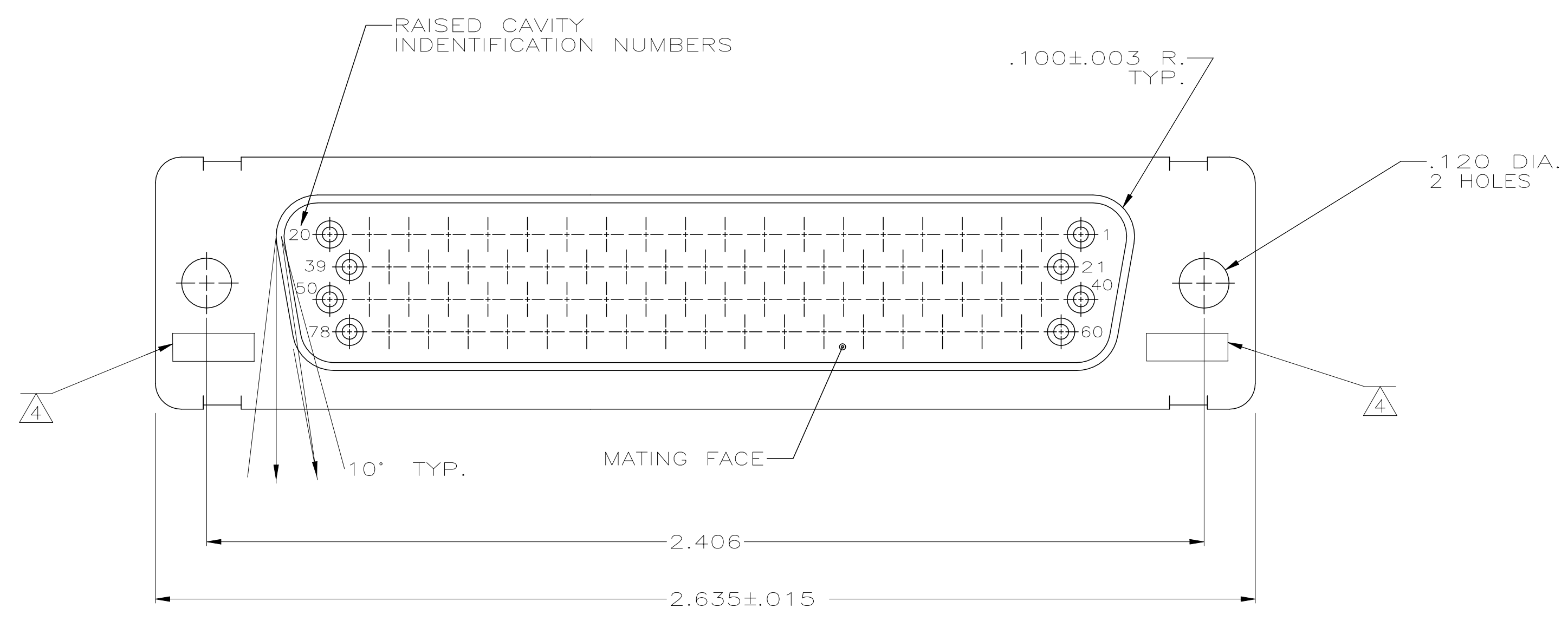


REVISIONS				
P	LTR	DESCRIPTION	DATE	APVD
J	REV PER ECO	21-007560	28JUL2021	LN MD



- .040 DIA HOLE IS RECOMMENED FOR P.C. BOARD.
- CONNECTOR MATES WITH ANY AMP 78 POSN PLUG.
- REPLACEMENT SOCKET AMP# 207684-4.
- UL/CSA DESIGNATION STAMPED IN THIS AREA, OPTIONAL.
- FINISH: CADMIUM PER QQ-P-614.
- FINISH: ZINC PLATE PER ASTM-B-633 .000200-.000400 THK WITH SUPPLEMENTARY CHROMATE (Cr3+).

6	5-208876-1
5	208876-1
REMARKS	PART NO

THIS DRAWING IS A CONTROLLED DOCUMENT.

DIMENSIONS: INCHES	TOLERANCES UNLESS OTHERWISE SPECIFIED:	0 PLC ± -	1 PLC ± -	2 PLC ± -	3 PLC ± .005	4 PLC ± -	ANGLES ± -
--------------------	----------------------------------------	-----------	-----------	-----------	--------------	-----------	------------

DWN: C.C.THOMAS 1-8-88	CHK: F.C.BALLEW III 1-25-88	APVD: -
NAME: -	PRODUCT SPEC: -	APPLICATION SPEC: -
WEIGHT: 0.000000	SIZE: A1	CAGE CODE: 00779
CUSTOMER DRAWING	DRAWING NO: 208876	SCALE: 4:1

AMPLITE 78 POSN. RCPT. ASSY., WITH LOADED POSTED CONTACTS, SIZE 5, SERIES 90

RESTRICTED TO: -

SHEET 1 OF 1 REV J

单击下面可查看定价，库存，交付和生命周期等信息

[>>TE Connectivity\(泰科\)](#)