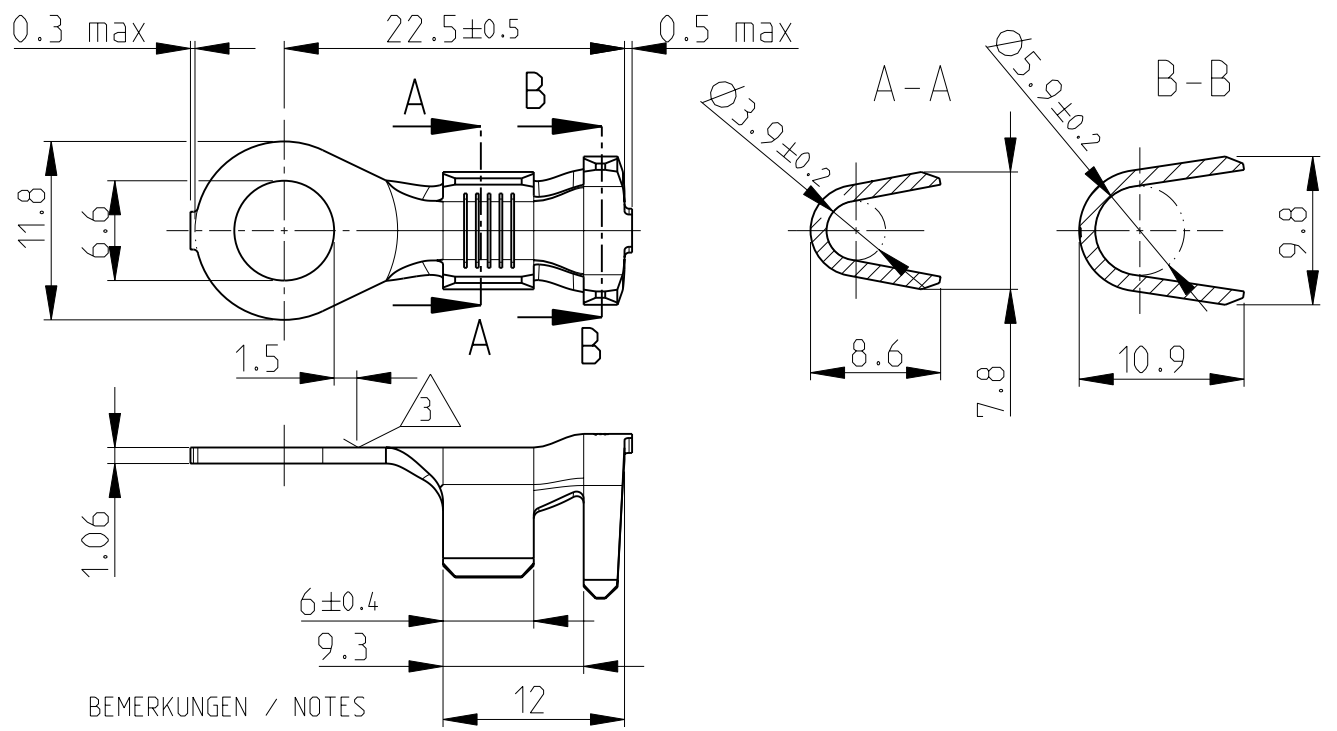


MATED WITH: PASSEND ZU:	LOC A1	DIST -	REVISIONS					
			P	LTR	DESCRIPTION	DATE	DWN	APVD
PROJEKT NR. : A92-52098				A1	PRODUCTSPEC NEW / PRODUKTSPEZ. HINZU	01-OCT-03	M.Zayc	Thiel
				B	0.3/0.5max WAS 1.0max / 0.3/0.5max was 1.0max	05-AUG-04	Ueck	Thiel
				B1	PRO/E-DATA	22-JAN-09	K.G.	Thiel



BEMERKUNGEN / NOTES

1 DRAHTGROESSENBEREICH: 6-10mm²; ISOLATIONSØ: 4.6-7.7
LEITER: F-Crimp
ISOLATION: F-Crimp
WIRE RANGE: 6-10mm²; INSULATION RANGE: 4.6-7.7
WIRE: F-crimp
INSULATION: F-Crimp

2 20⁺⁷₋₂µm GALVANISCH VERZINNT
20⁺⁷₋₂µm ELECTRODEPOSITED TIN

3 MESSPUNKT FÜR SCHICHTDICKE
MEASURING POINT FOR PLATING THICKNESS

4 SCHUETTIGUT, AUS BANDWARE 444305-1
BULK PACKAGED, MADE FROM STRIP VERSION 444305-1

969209-1	B	1	CuSn4	VERZINNT	RINGZUNGE,...	1
TE PART NO	REV	PCS	MATERIAL	SURFACE COLOR	DESCRIPTION	ITEM NO

DIMENSIONS: mm	DWN M.Ueckermann 11-MAR-99	MATERIAL S.TAB	FINISH -
TOLERANCES UNLESS OTHERWISE SPECIFIED: n. ISO 8015 n. DIN 16901-140	CHK F.Thiel 11-MAR-99	Tyco Electronics AMP Deutschland GmbH D-63225 Langen	
0 PLC ±0.3 1 PLC ±0.3 2 PLC ±0.1 3 PLC ± 4 PLC ± ANGLES ±°	APVD S.Glaser 11-MAR-99	NAME RING TONGUE, A6-10 DIN46225 RINGZUNGE, A6-10 DIN46225	
	PRODUCT SPEC 108-18911	SIZE A 4	CAGE CODE 00779
	APPLICATION SPEC -	DRAWING NO C-969209	RESTRICTED TO -
	WEIGHT 3.25g		
CUSTOMER DRAWING / KUNDENZEICHNUNG		SCALE 2:1	SHEET 1 OF 1 REV B1

20

RELEASED FOR PUBLICATION

THIS DRAWING IS UNPUBLISHED.

BY TYCO ELECTRONICS CORPORATION. ALL RIGHTS RESERVED.

© COPYRIGHT 20

单击下面可查看定价，库存，交付和生命周期等信息

[>>TE Connectivity\(泰科\)](#)