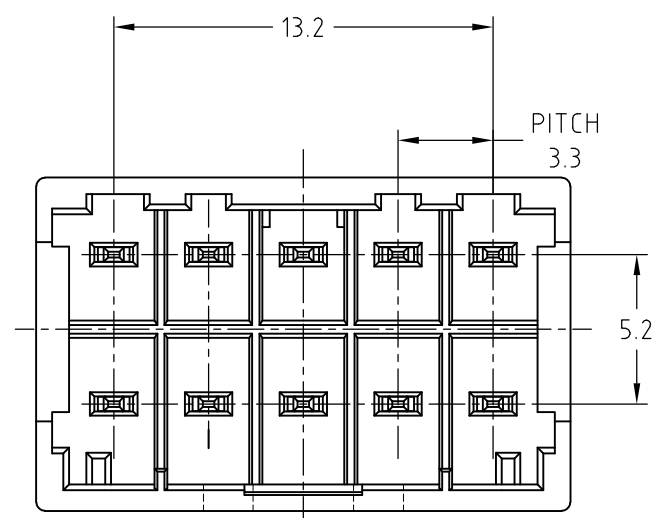


THIS DRAWING IS UNPUBLISHED. RELEASED FOR PUBLICATION  
 © COPYRIGHT BY TYCO ELECTRONICS CORPORATION. ALL RIGHTS RESERVED.

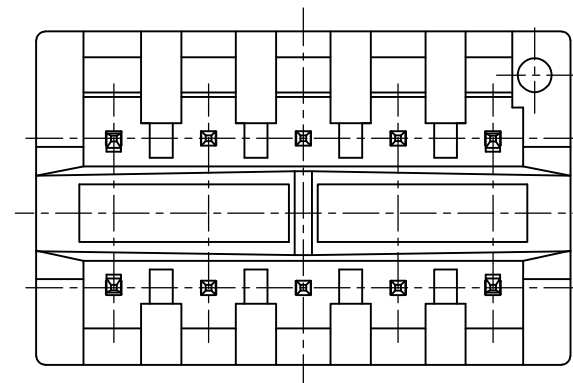
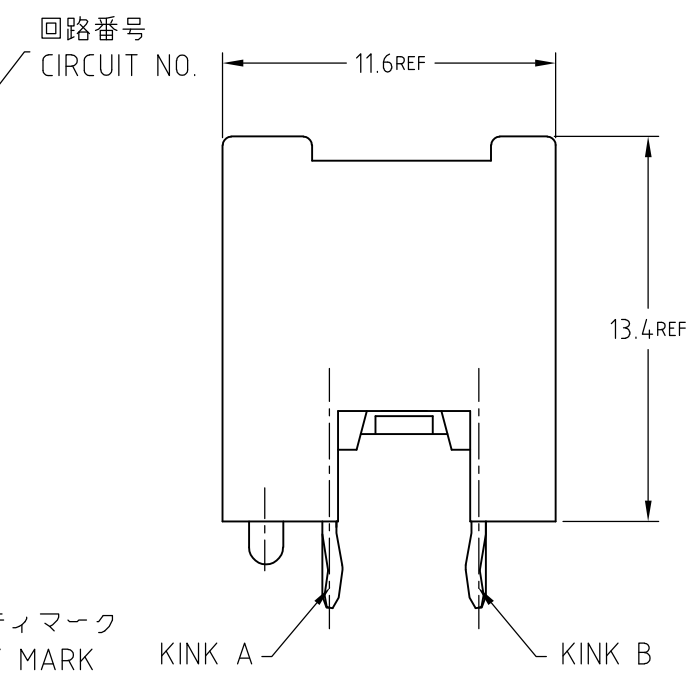
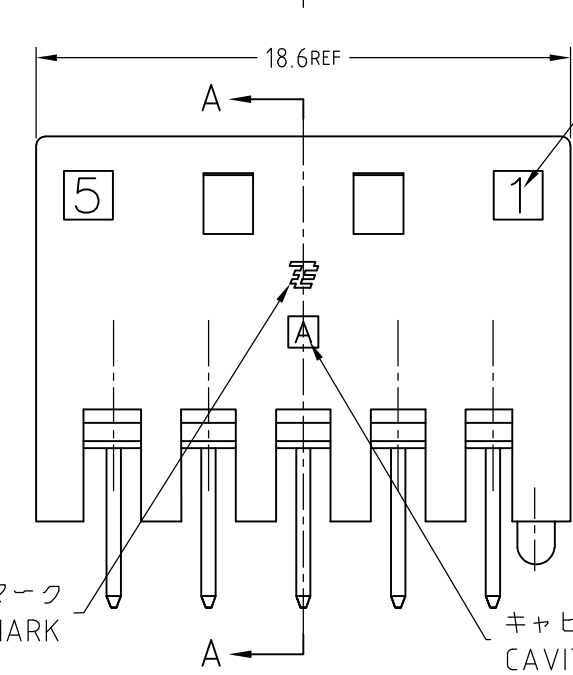
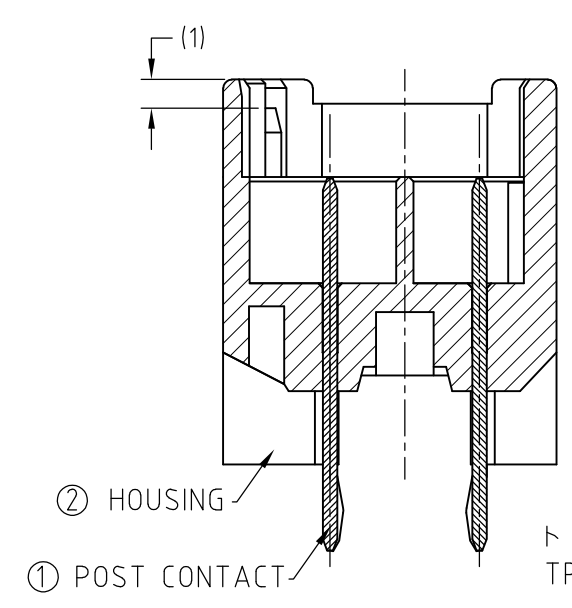
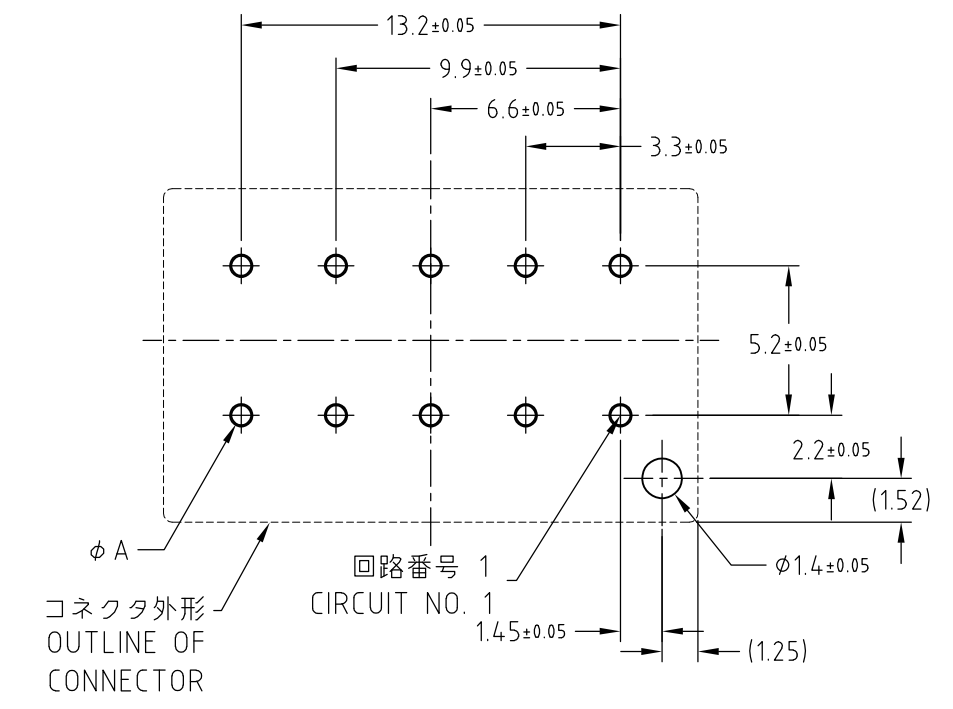
LOC	DIST	REVISIONS 変更					
J	—	P	LTR	DESCRIPTION	DATE	DWN	APVD
			B1	REVISED PER ECR-10-019980	04OCT10	HMR	TM



TABLE

NO.	名前 (NAME)	材料 (MATERIAL)
②	ヘッダーハウジング HDR HOUSING	6/6ナイロンガラス強化UL94V-0 6/6NYLON GRASS FILLED UL94V-0
①	ポストコンタクト POST CONTACT	錫めっき仕上げ 黄銅 BRASS TIN PLATED

P.C.B. LAYOUT ON RECOMMENDATION



パンチ加工 (PUNCHED HOLE)	0.7 <sup>+0.1</sup>
ドリル加工 (DRILLED HOLE)	0.8 <sup>±0.05</sup>
	A寸法 DIM. A

2-1939984-3	TYPE C	青色 BLUE	2-1939983-3
1939984-1	TYPE A	自然色 NATURAL	1939983-1
かん合相手型番 MATING CONN. P/N	キーイング形状 TYPE OF KEYING	色調 COLOR	型番 PART NUMBER

- 注  
 ① 取付穴寸法  
 ② 適応基板厚 : 1.6t  
 ③ かん合相手型番 :  
 プラグハウジング : SEE TABLE

- NOTES  
 ① RECOMMENDED P.C.B LAYOUT  
 ② APPLICABLE P.C.B THICKNESS : 1.6t  
 ③ MATING CONN. P/N  
 PLUG HOUSING : SEE TABLE

キンク形状 KINK FORM	A	S	S	S	A	B	S	S	S	B
回路番号 CIRCUIT NO.	1	2	3	4	5	6	7	8	9	10

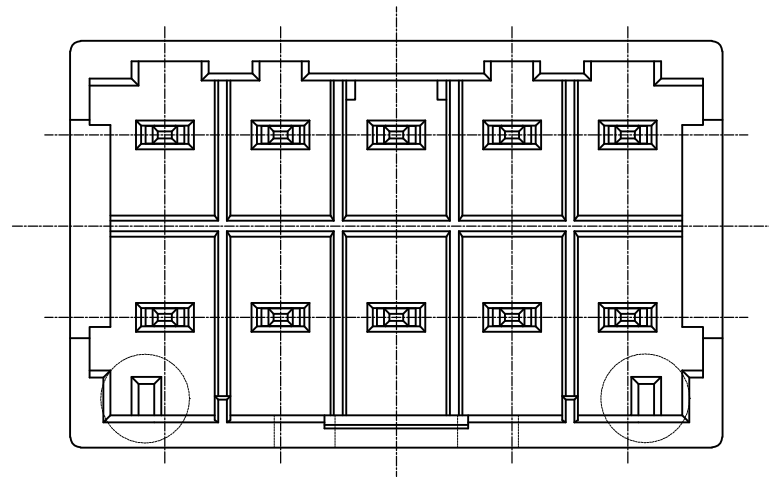
THIS DRAWING IS A CONTROLLED DOCUMENT.

DIMENSIONS: 単位: 耗 mm	TOLERANCES UNLESS OTHERWISE SPECIFIED: 一般公差	DWN J.SATO 13OCT2006	 Tyco Electronics AMP K.K. Kawasaki, Japan				
	0 PLC ± 0.3	CHK N.YAMASAKI 13OCT2006					
	1 PLC ± 0.3	APVD N.YAMASAKI 13OCT2006					
	2 PLC ± 0.3	NAME 名称 GRACE INERTIA CONNECTOR 3.3 HEADER ASSEMBLY 10POS 2ROW					
3 PLC ±	4 PLC ±	PRODUCT SPEC 製品規格 108-78231	SIZE A3	CAGE CODE 00779	DRAWING NO 番号 1939983	RESTRICTED TO	
4 PLC ±	ANGLES ±	APPLICATION SPEC 取付適用規格 114-5372	WEIGHT	SCALE 尺度 NONE		SHEET 1 OF 2	REV B1
MATERIAL 材料 SEE TABLE	FINISH 仕上	CUSTOMER DRAWING					

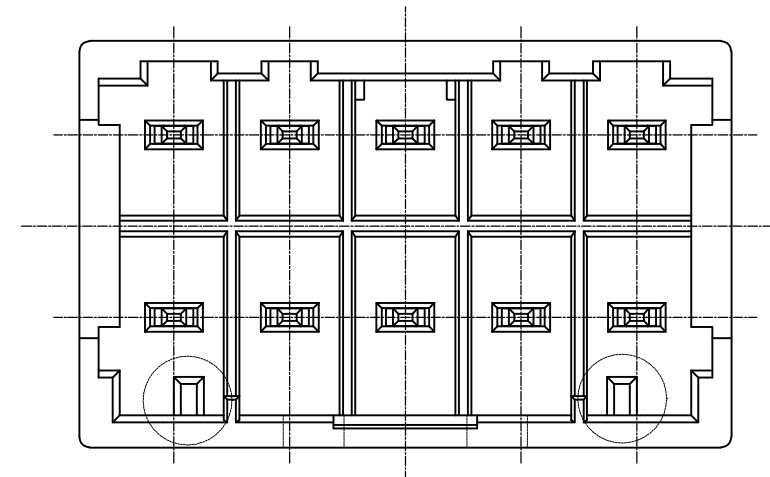
THIS DRAWING IS UNPUBLISHED. RELEASED FOR PUBLICATION  
 © COPYRIGHT BY TYCO ELECTRONICS CORPORATION. ALL RIGHTS RESERVED.

LOC	DIST	REVISIONS 変更			
P	LTR	DESCRIPTION	DATE	DWN	APVD
J	—	—	—	—	—
		SEE SHEET 1	—	—	—

キーイングタイプ  
TYPE OF KEYING



TYPE A



TYPE C

THIS DRAWING IS A CONTROLLED DOCUMENT.		DWN	Tyco Electronics AMP K.K. Kawasaki, Japan		
DIMENSIONS: 単位: 寸 mm		CHK	NAME 名称		
TOLERANCES UNLESS OTHERWISE SPECIFIED: 一般公差		APVD	GRACE INERTIA CONNECTOR 3.3 HEADER ASSEMBLY 10POS 2ROW		
0 PLC ± 0.3 1 PLC ± 0.3 2 PLC ± 0.3 3 PLC ± 4 PLC ± ANGLES ±		PRODUCT SPEC 製品規格	SIZE	CAGE CODE	DRAWING NO 番号
MATERIAL 材料 SEE TABLE		APPLICATION SPEC 取付適用規格	A3	00779	G- 1939983
FINISH 仕上		WEIGHT	CUSTOMER DRAWING		RESTRICTED TO
			SCALE 尺度	SHEET 2 OF 2	REV B1

单击下面可查看定价，库存，交付和生命周期等信息

[>>TE Connectivity\(泰科\)](#)