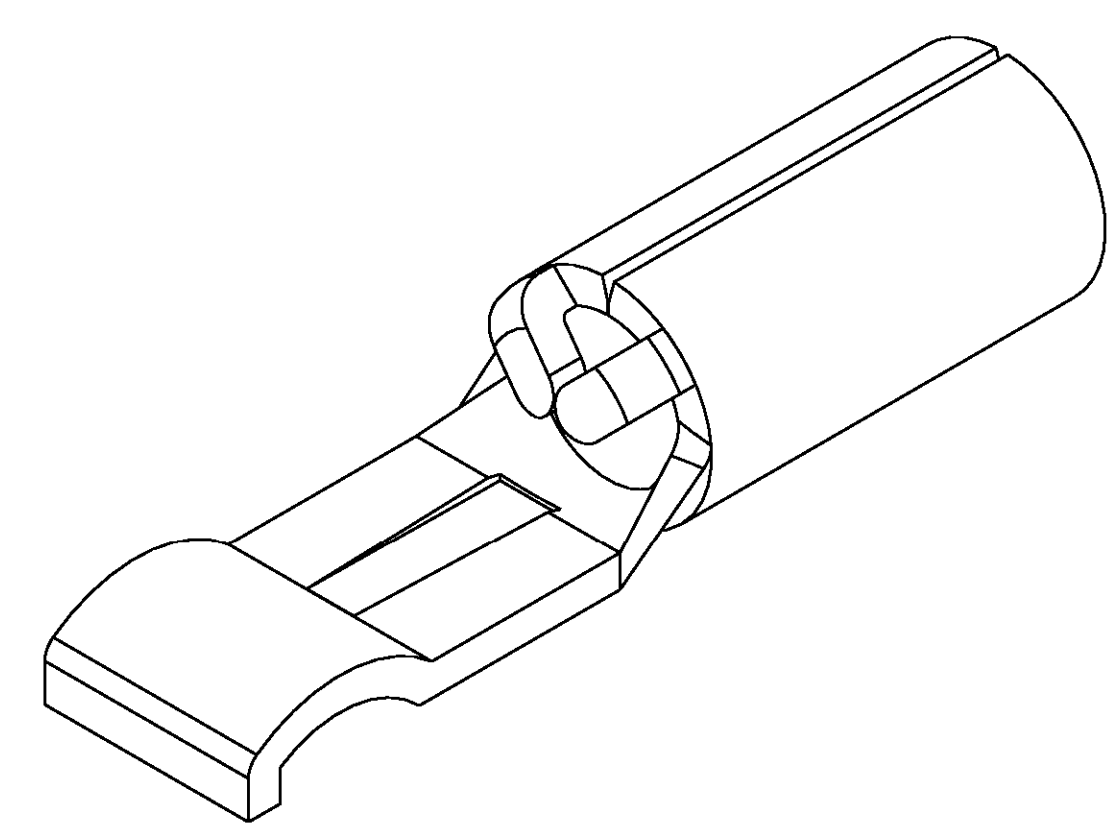
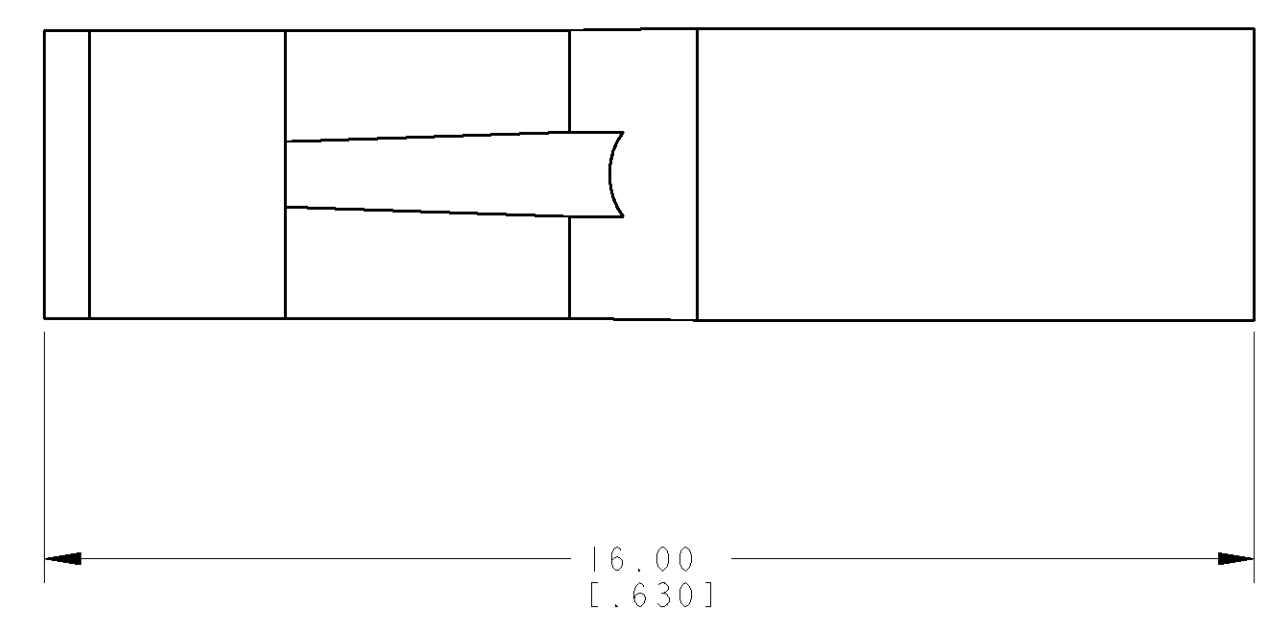
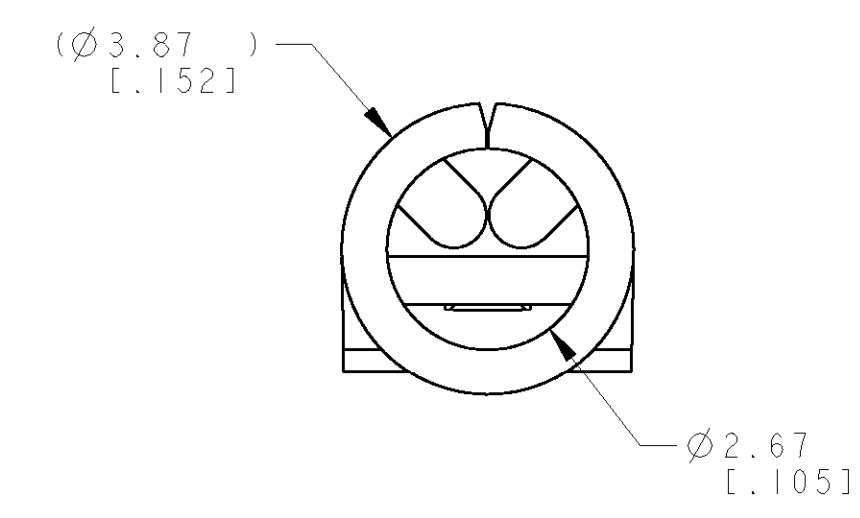
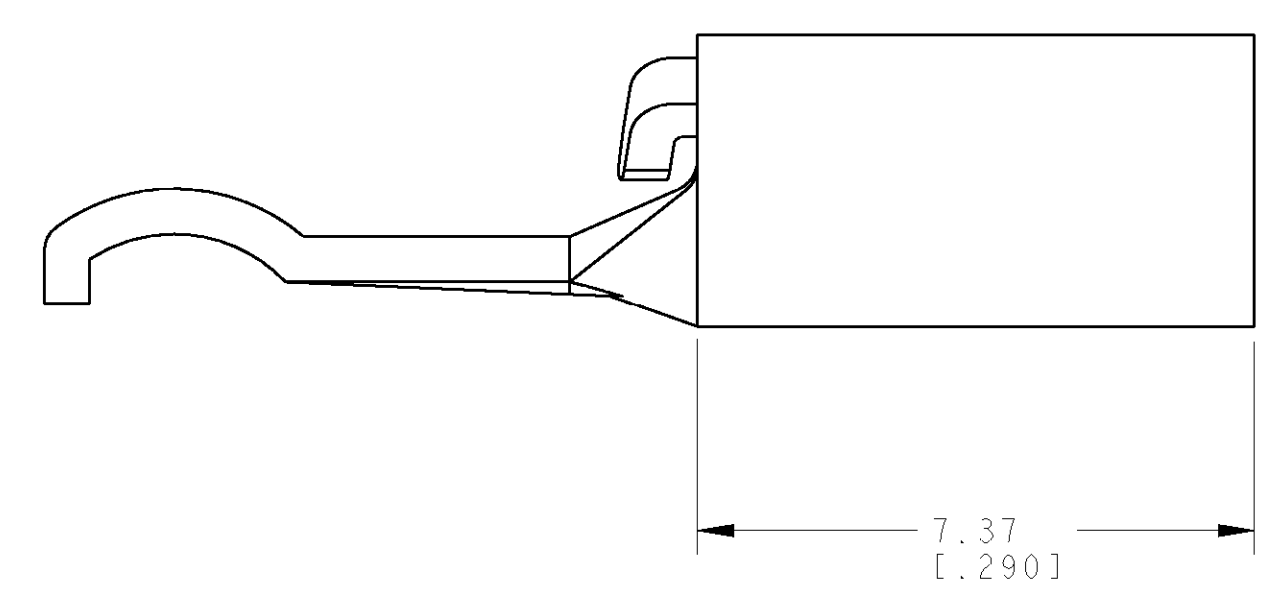
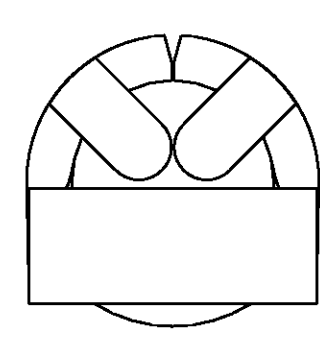
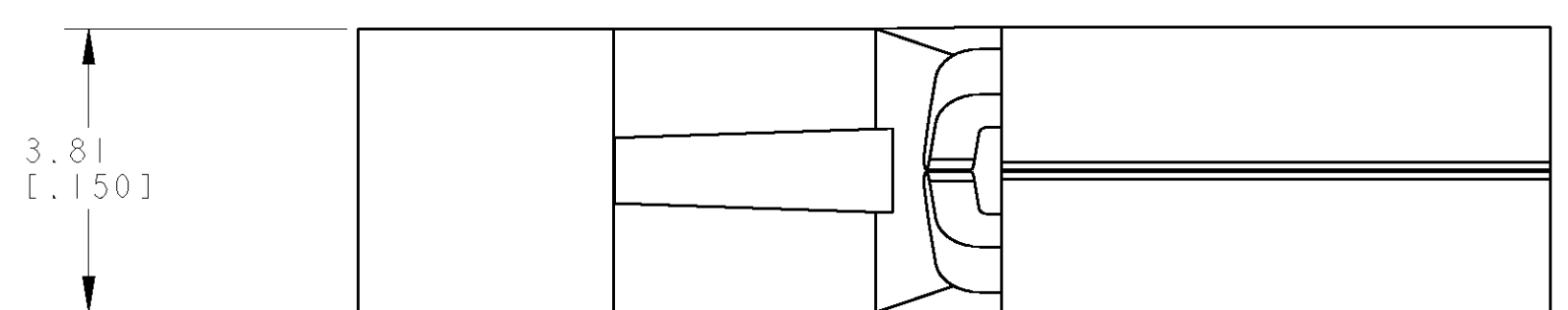


LOC		DIST		REVISIONS			
CM	00	P	LTR	DESCRIPTION	DATE	DWN	APVD
		0		REVISED PER 0638-1032-04	10NOV04	KW	JE



METRIC

1744041-1
PART NUMBER

<small>THE DIMENSIONS IN CONDUCTIVE METALS FOR THIS REQUIREMENT ORGANIZATION THIS DRAWING IS TO BE USED FOR THE DESIGN AND CONSTRUCTION ORGANIZATION UNLESS SO INDICATED BY THE CUSTOMER.</small>		DWN B. WHITAKER 10NOV2004	Tyco Electronics Harrisburg, PA 17105-3608
DIMENSIONS: mm [INCHES]		CHK J. ELLIS 10NOV2004	
TOLERANCES UNLESS OTHERWISE SPECIFIED: 0 PLC ± 1 PLC ±0.5 [.02] 2 PLC ±0.13 [.005] 3 PLC ± 4 PLC ± ANGLES ±40° 30'		APVD J. ELLIS 10NOV2004	NAME LOOSE PIECE CONTACT, 12 - 16 AWG, AMP POWER SERIES 30
MATERIAL COPPER		FINISH SILVER	PRODUCT SPEC - APPLICATION SPEC - WEIGHT - CUSTOMER DRAWING
		SIZE A 00779	DRAWING NO C=1744041 RESTRICTED TO - SCALE 10:1 SHEET 1 OF 1 REV 0

单击下面可查看定价，库存，交付和生命周期等信息

[>>TE Connectivity\(泰科\)](#)