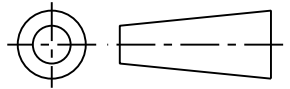


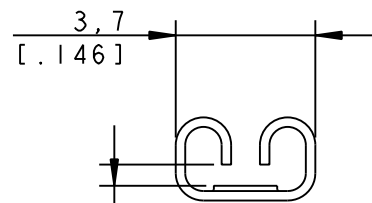
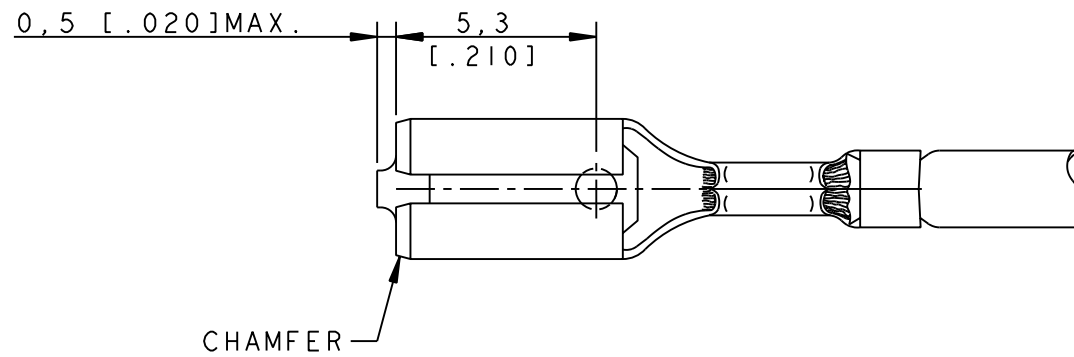
DO NOT SCALE  
DIMENSIONS IN mm

METRIC

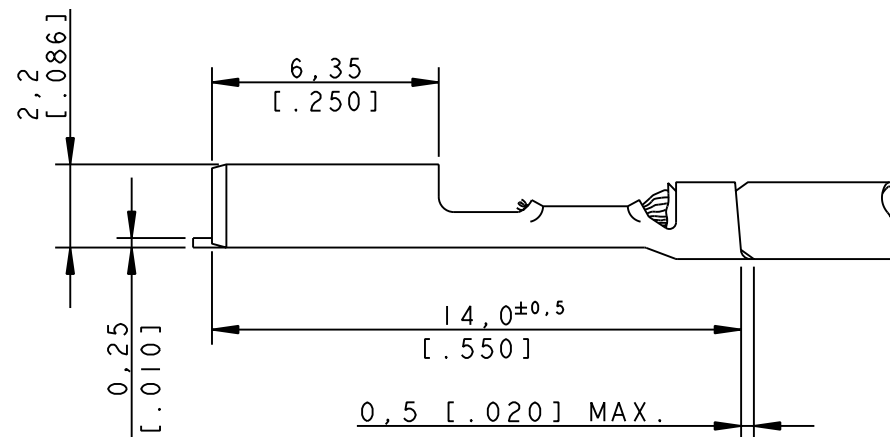
THIRD ANGLE  
PROJECTION



⚠ OBSOLETE PARTS: OBSOLETE CIS STREAMLINING PER D.RENAUD/D.SINISI



FITS TAB 0,8  
[.032] THICK



⚠ OBSOLETE

OBSOLETE  
⚠

⚠ OBSOLETE

MAKE FROM STRIP PN	FINISH	MATERIAL	LOOSE PIECE PARTNUMBER
6-160303-3	PRE-TIN HOT DIP	PHOSPHORBRONZE	6-160321-3
6-160303-2	TIN-LEAD	BRASS	6-160321-2
6-160303-0	PRE-TIN HOT DIP	PHOSPHORBRONZE	6-160321-0
5-160303-9	PRE-TIN HOT DIP	BRASS	5-160321-9
5-160303-6	TIN	PHOSPHORBRONZE	5-160321-6
5-160303-4	GOLD	BRASS	5-160321-4
5-160303-3	SILVER	BRASS	5-160321-3
5-160303-2	TIN	BRASS	5-160321-2
5-160303-1	NONE	BRASS	5-160321-1

WIRE RANGE :  
0,3-0,56 mm  
INSULATION RANGE :  
1,0-2,0 DIA.

CUSTOMER DRAWING					FOR REFERENCE ONLY WILL NOT BE UPDATED	
© COPYRIGHT 19 - BY AMP HOLLAND B.V. ALL INTERNATIONAL RIGHTS RESERVED. AMP PRODUCTS MAY BE COVERED BY U.S. AND FOREIGN AND/OR PATENTS PENDING.					THIS DRAWING IS UNPUBLISHED RELEASED FOR PUBLICATION - ,19 -	
AMP ITALIA S.r.l. Corso F.lli Cervi, 15 COLLEGNO (TORINO)					NAME	
AI ECO-10-000030 KK AEG 04JAN10					.110 SRS FASTON RECEPTACLE LOOSE PIECES	
A EH-0243-94 DK PB 11-04-94					DWG. No. C-160321	
LTR. REVISION RECORD DR. CHK. DATE					SHEET 1 OF 1	
DR.: D.KESSLER DATE: 11-04-94			CHK.: P.BEIJNON DATE: -		APP.: L.V.SOEST DATE: -	
					REV. LTR. AI	

单击下面可查看定价，库存，交付和生命周期等信息

[>>TE Connectivity\(泰科\)](#)