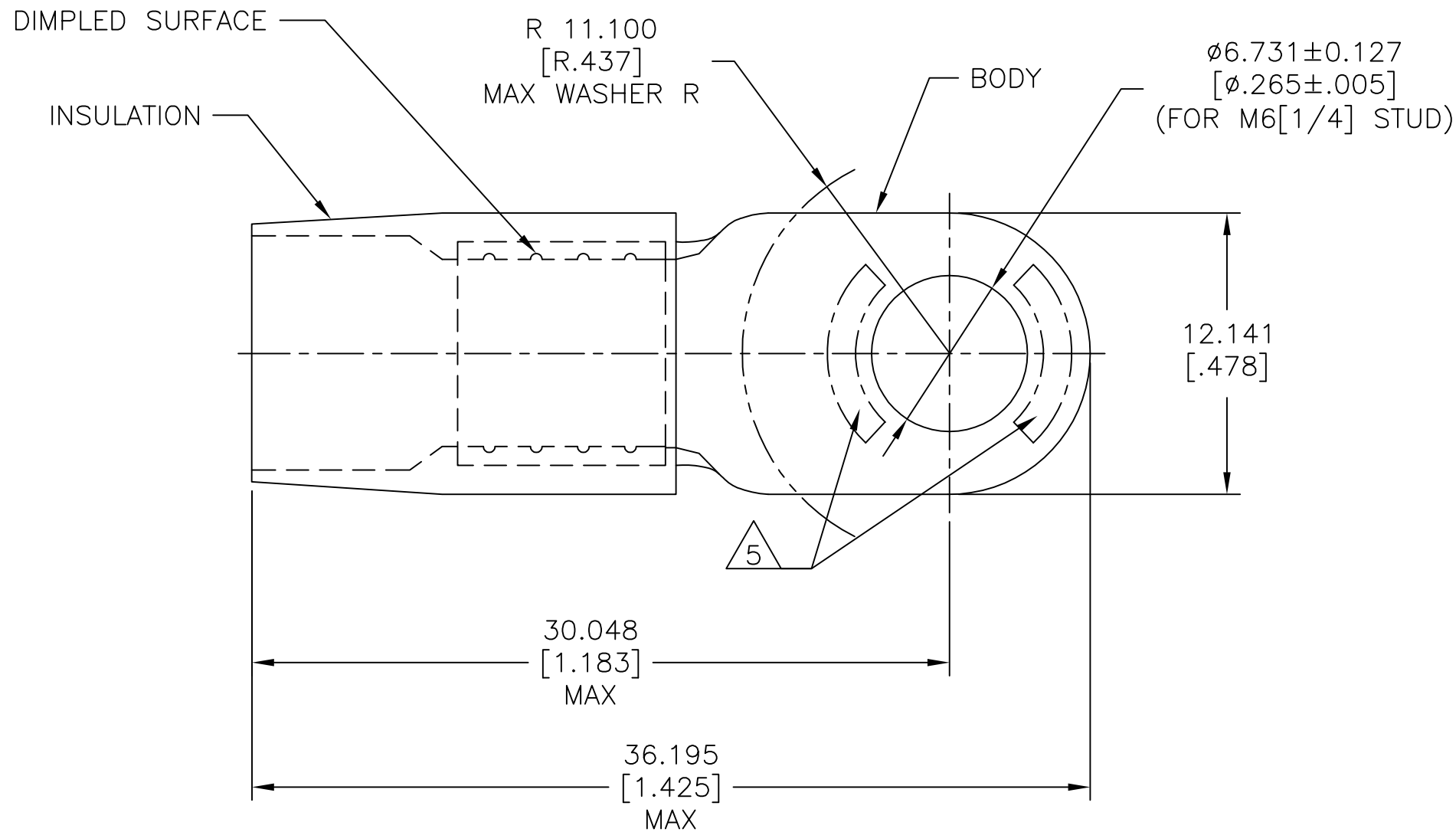


P	LTR	DESCRIPTION	DATE	DWN	APVD
	F2	REVISED PER ECO-11-004820	11MAR11	RK	HMR
	F3	REVISED PER ECO-17-014333	16OCT2017	RS	DR

**AMP**  
WIRE RANGE

8 AWG  
STRANDED



- 1 BODY MATERIAL THK 0.991±0.051 [.039±.002]
- 2 FOR  $\phi 6.502[\phi.256]$  MAX WIRE INSULATION.
- 3 BODY - COPPER PER ASTM B-152  
INSULATION - NYLON, ASTM D4066 TYPE 1
- 4 BODY - TIN PLATE PER ASTM B-545  
INSULATION - COLOR-RED
- 5 STAMP AMP 8\* 14 APPROX AS SHOWN.

MS25036-116 CLASS 2	100	LOOSE PC	324082
MILITARY P/N AND CLASS	QTY	PACKAGE TYPE	PART NO

MAX RECOMMENDED OPERATING TEMPERATURE: 105°C [221°F]  VOLTAGE RATING: N/A  CIRCULAR MIL AREA: 6.64-10.5mm <sup>2</sup> [13,100-20,800] STRANDED	THIS DRAWING IS A CONTROLLED DOCUMENT.		DWN JR RUTH 6-21-93	TE Connectivity  NAME TERMINAL, RING TONGUE, TERMINYL WIRE SIZE: 8 AWG				
	DIMENSIONS: mm [INCHES]	TOLERANCES UNLESS OTHERWISE SPECIFIED:	CHK R. HERSEY 6-21-93				APVD M ELLIS 6-21-93	PRODUCT SPEC SAE AS7928
	MATERIAL	FINISH	0 PLC ± - 1 PLC ± - 2 PLC ± - 3 PLC ± 0.127[.005] 4 PLC ± - ANGLES ± -	APVD M ELLIS 6-21-93	APPLICATION SPEC	RESTRICTED TO		
			APVD M ELLIS 6-21-93	SAE AS7928	SIZE A3	CAGE CODE 00779	DRAWING NO C=324082	RESTRICTED TO
				APPLICATION SPEC	SCALE 4:1	SHEET 1 OF 1	REV F3	
				WEIGHT -	CUSTOMER DRAWING			

单击下面可查看定价，库存，交付和生命周期等信息

[>>TE Connectivity\(泰科\)](#)