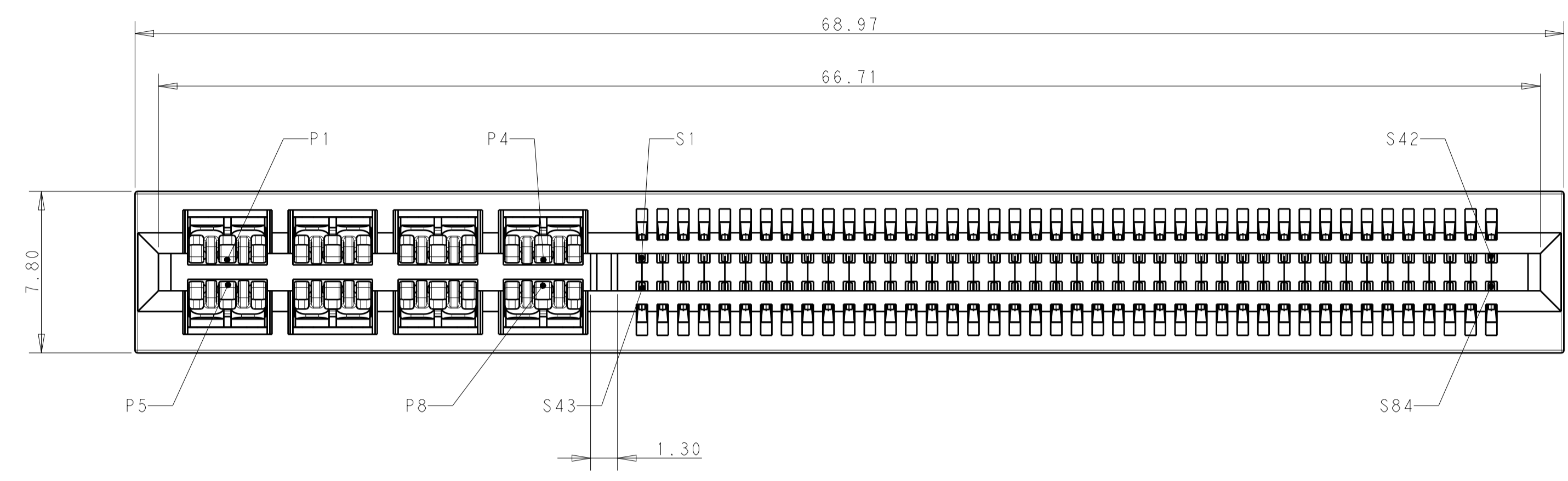
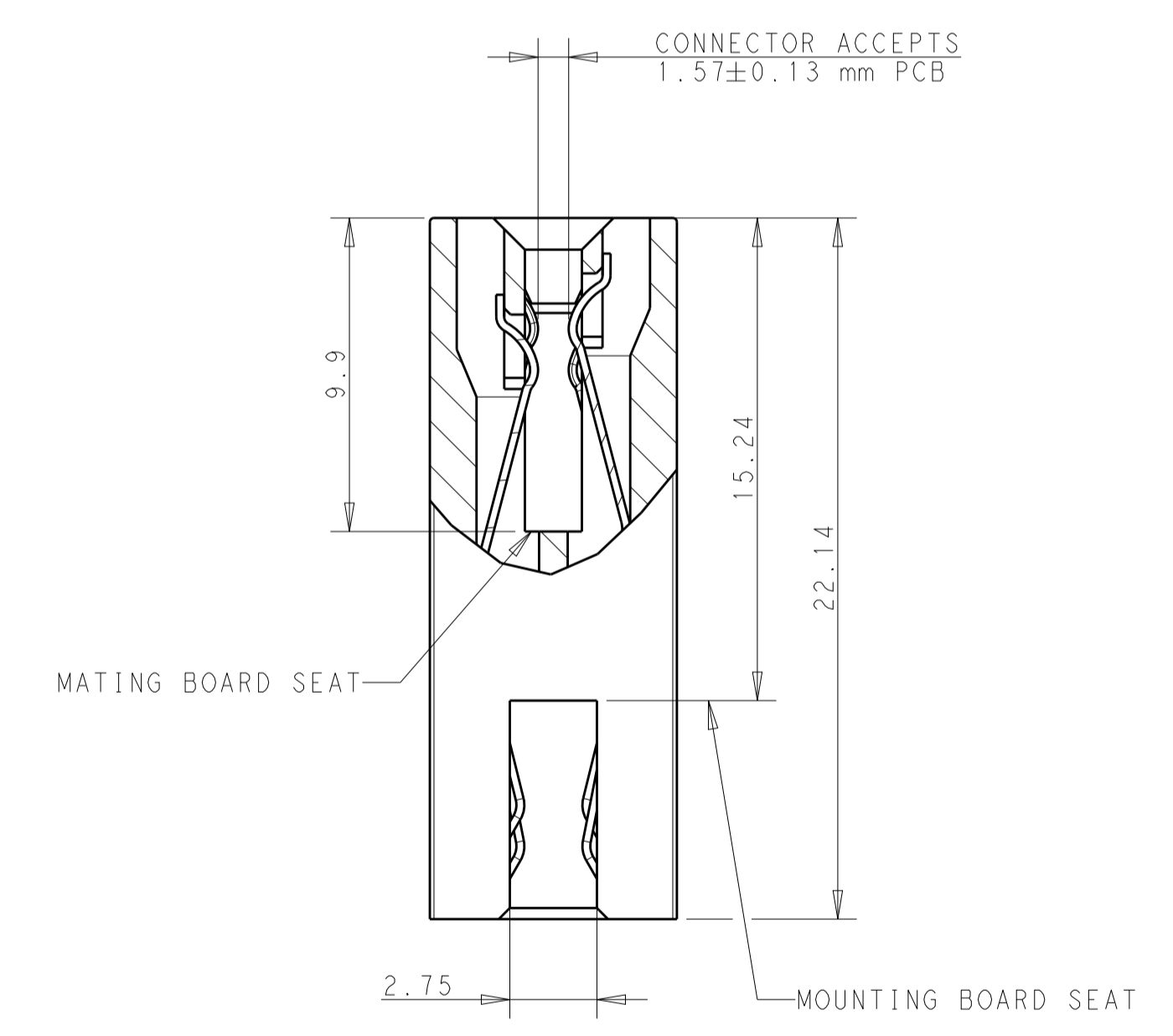
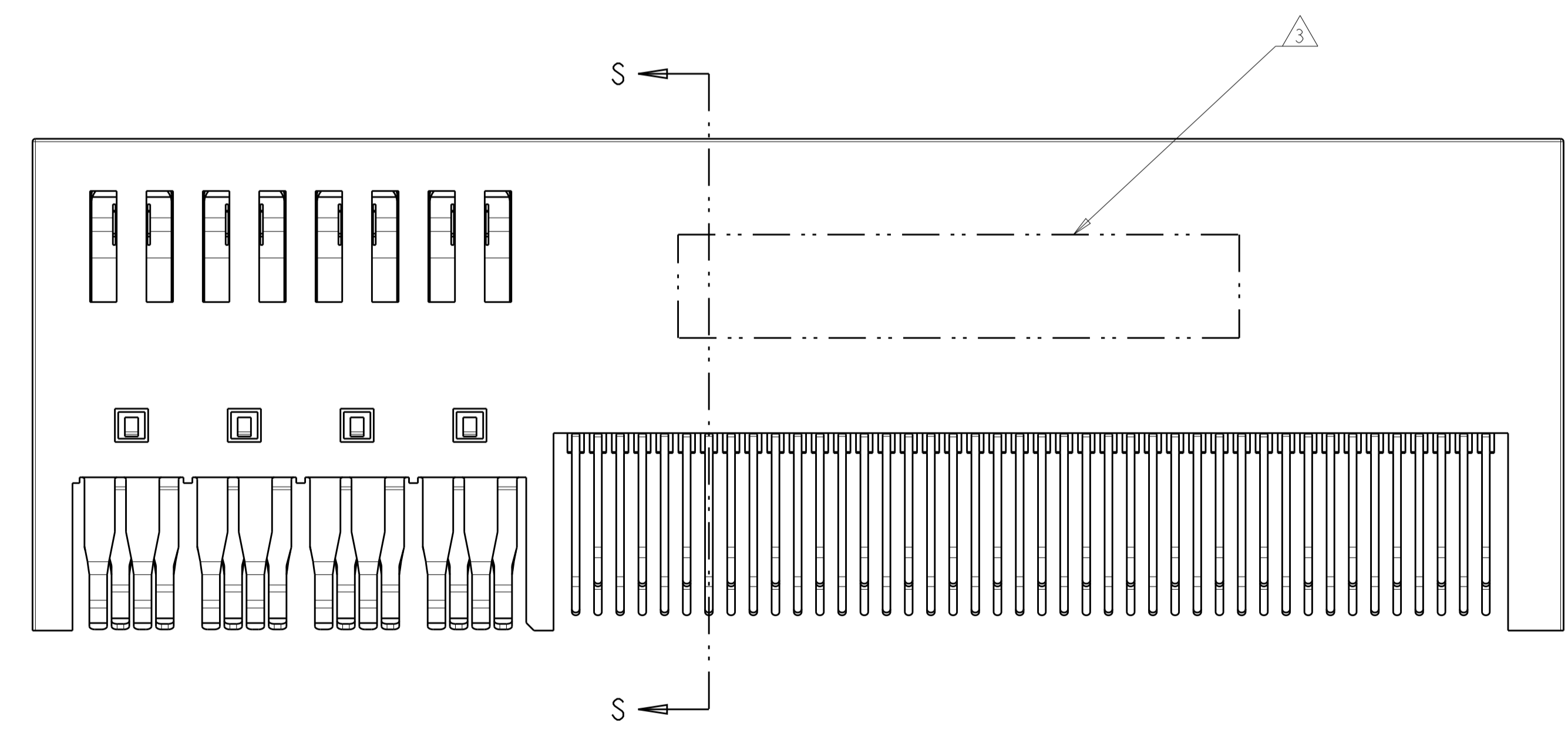


REVISIONS				
P.	LTR.	DESCRIPTION	DATE	APVD.
A		FIRST RELEASE	14AUG2019	SZ SZ



NOTES, UNLESS OTHERWISE SPECIFIED  
 1. MATERIAL:  
 HOUSING - THERMOPLASTIC, GLASS PREINFORCED, COLOR, BLACK, UL 94V-0  
 CONTACTS- COPPER ALLOY.  
 2. FINISH:  
 MATING AREA - NOBLE METAL OVERALL NICKEL.  
 SOLDER TAIL - MATTE TIN OVERALL NICKEL.  
 3. MARK P/N AND DATA CODE IN APPROX. AREA AS SHOWN.

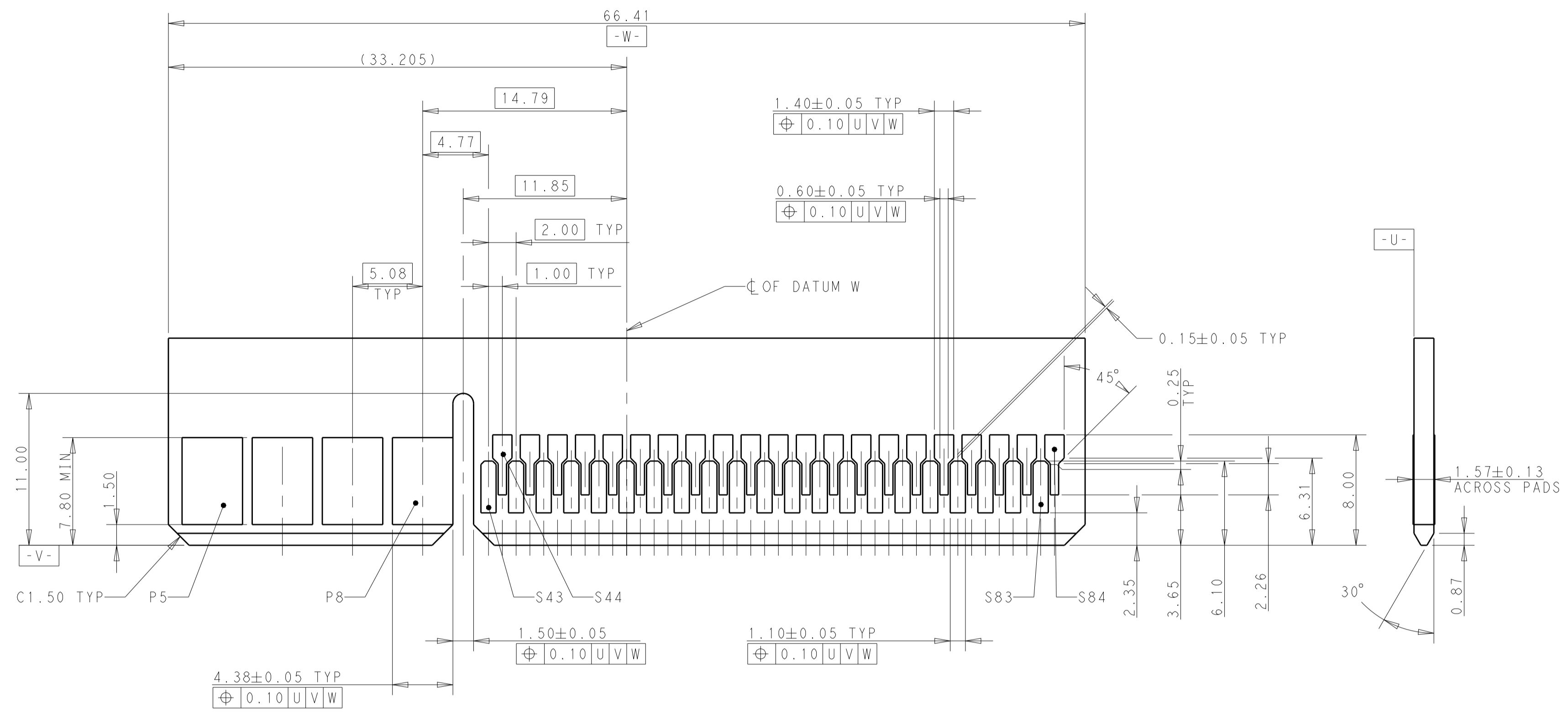


SECTION S-S

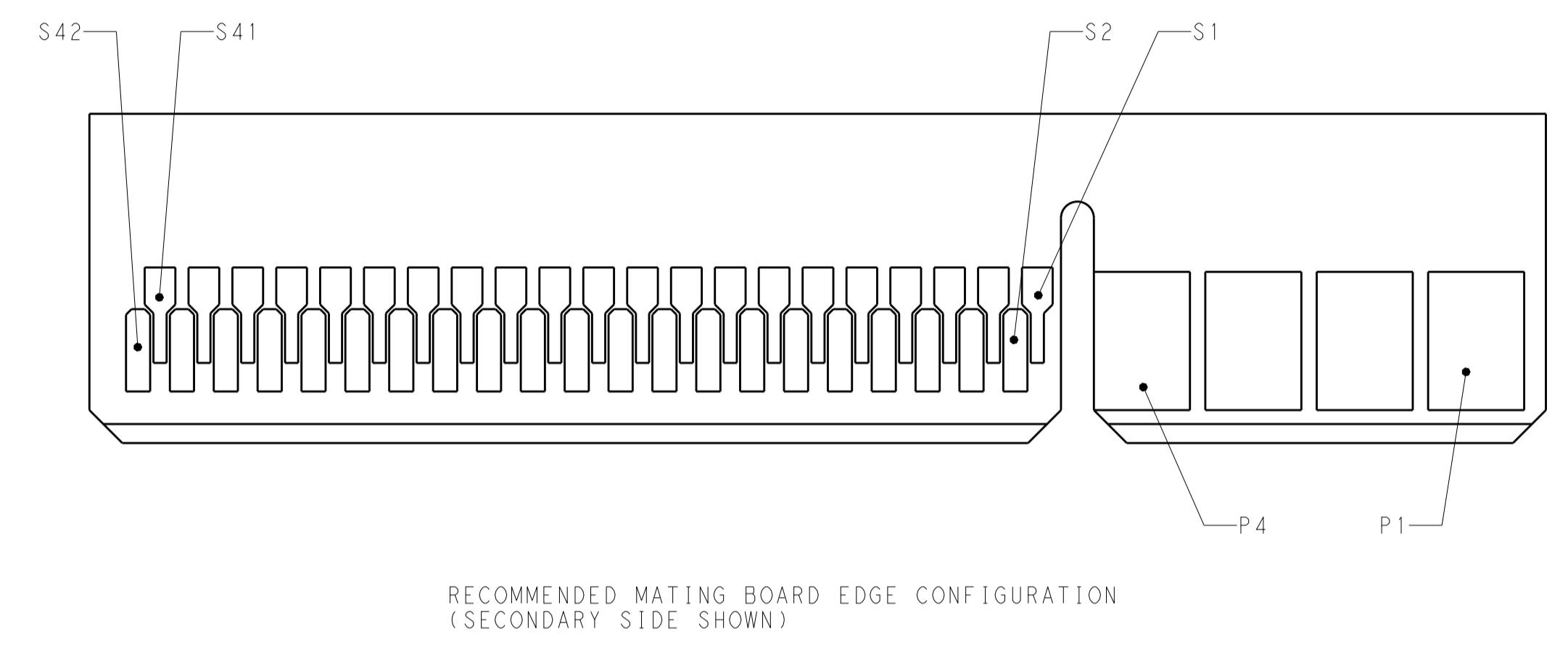
PART NUMBER 2340165-1

THIS DRAWING IS A CONTROLLED DOCUMENT.		OWN: SEAN ZHANG 31JUL2018	TE Connectivity	
DIMENSIONS: mm		CHK: SUNY ZHAO 31JUL2018		
TOLERANCES UNLESS OTHERWISE SPECIFIED:		APVD: SUNY ZHAO 31JUL2018	NAME: HDCE PLUS, STRADDLE MOUNT, 2P DESIGN	
0 PLC ±	1 PLC ±0.50	PRODUCT SPEC: 108-128091	2X4P-2X42S	
2 PLC ±0.25	3 PLC ±	APPLICATION SPEC: -	-	
4 PLC ±	ANGLES ±	SIZE: A100779	CAGE CODE: C=2340165	
MATERIAL: TBD	FINISH: -	WEIGHT: -	RESTRICTED TO: -	
CUSTOMER DRAWING		SCALE: 5:1	SHEET 1 OF 2 REV A	

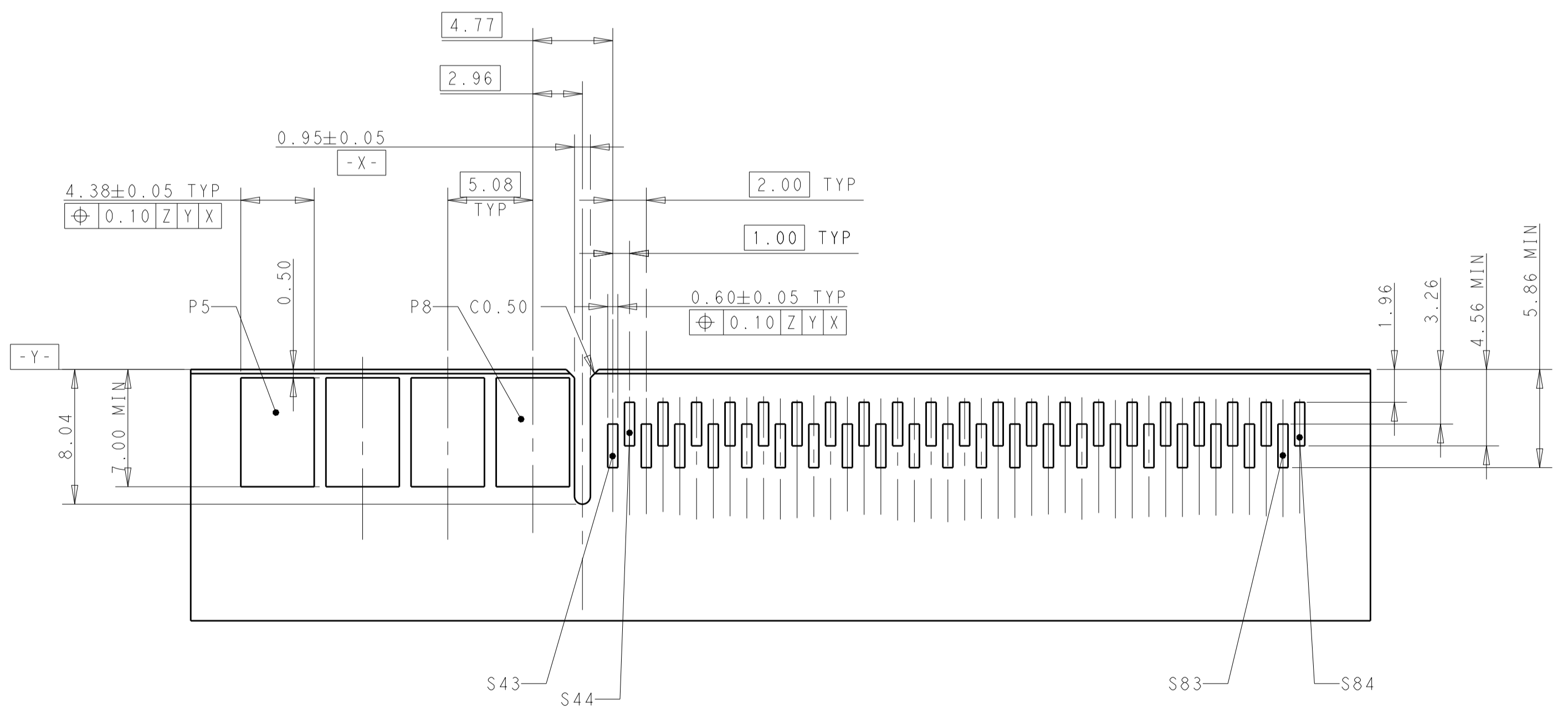
REVISIONS				
P.	LTN.	DESCRIPTION	DATE	APVD.
-	-	SEE SHEET 1	-	-



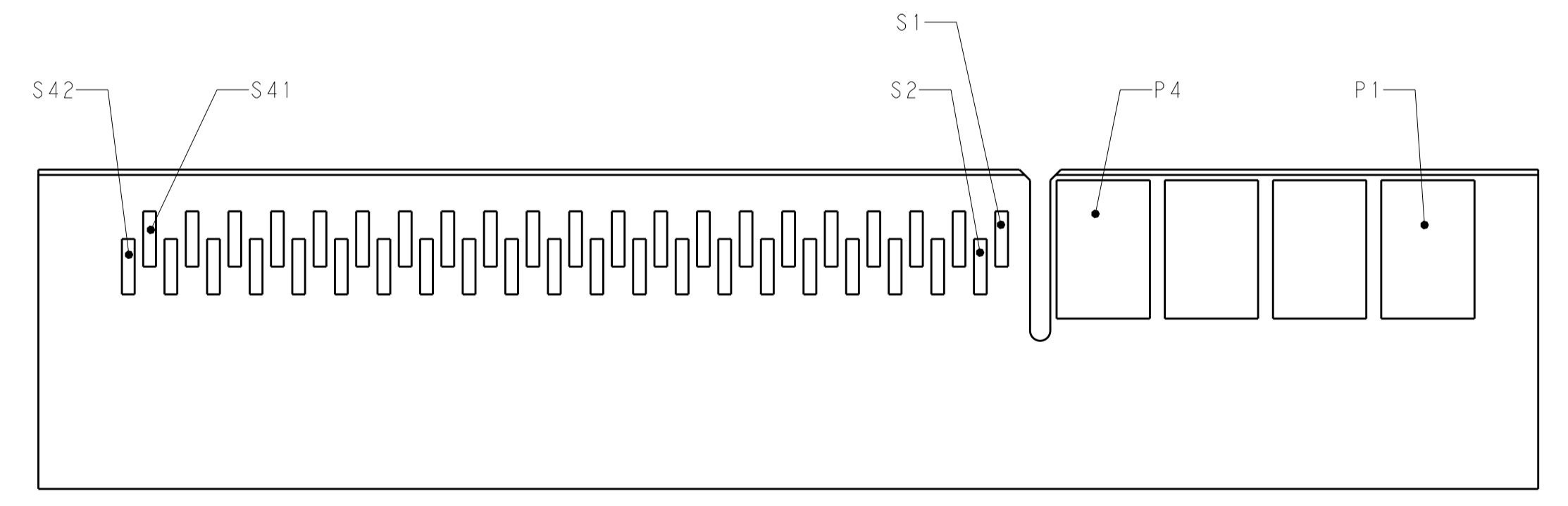
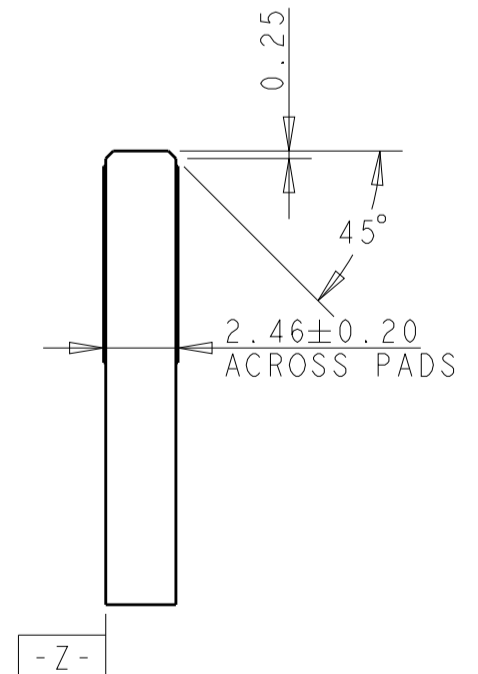
RECOMMENDED MATING BOARD EDGE CONFIGURATION (PRIMARY SIDE SHOWN)



RECOMMENDED MATING BOARD EDGE CONFIGURATION (SECONDARY SIDE SHOWN)



RECOMMENDED MOUNTING BOARD EDGE CONFIGURATION (PRIMARY SIDE SHOWN)



RECOMMENDED MOUNTING BOARD EDGE CONFIGURATION (SECONDARY SIDE SHOWN)

THIS DRAWING IS A CONTROLLED DOCUMENT.		OWN: SEAN ZHANG	31 JUL 2018	TE Connectivity
DIMENSIONS: mm		CHK: SUNY ZHAO	31 JUL 2018	
TOLERANCES UNLESS OTHERWISE SPECIFIED:		APVD: SUNY ZHAO	31 JUL 2018	NAME: HDCE PLUS, STRADDLE MOUNT, 2P DESIGN PRODUCT SPEC: 2X4P-2X4ZS APPLICATION SPEC:
0 PLC ± 1 PLC ±0.20 2 PLC ±0.10 3 PLC ± 4 PLC ± ANGLES ±2° FINISH:		MATERIAL: TBD	WEIGHT: -	
CUSTOMER DRAWING		SCALE: 5:1		SHEET: 2 OF 2 REV: A

单击下面可查看定价，库存，交付和生命周期等信息

[>>TE Connectivity\(泰科\)](#)