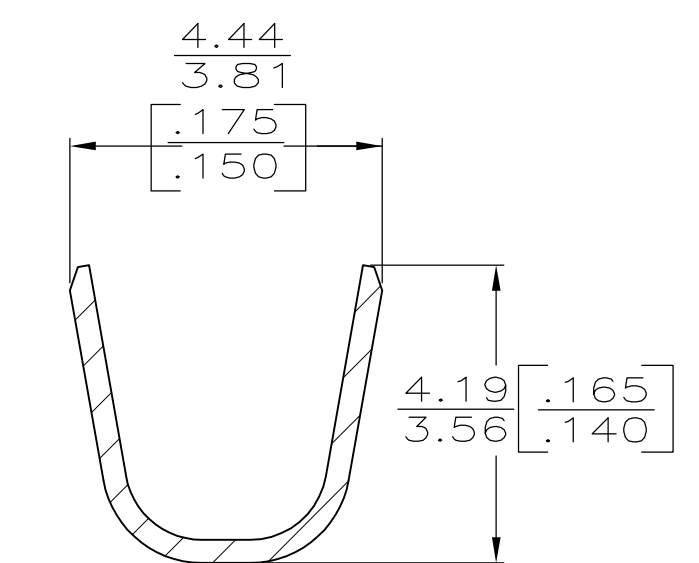
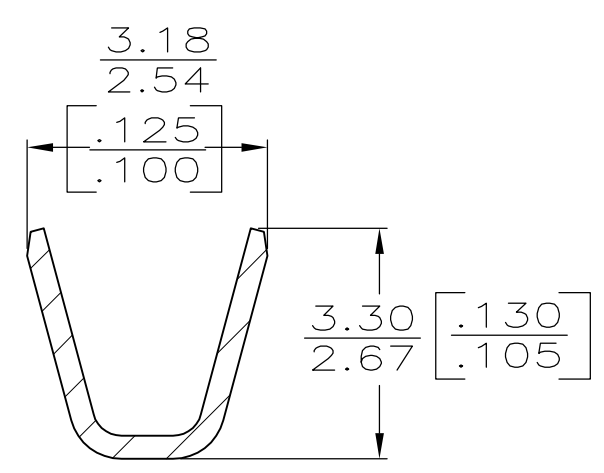
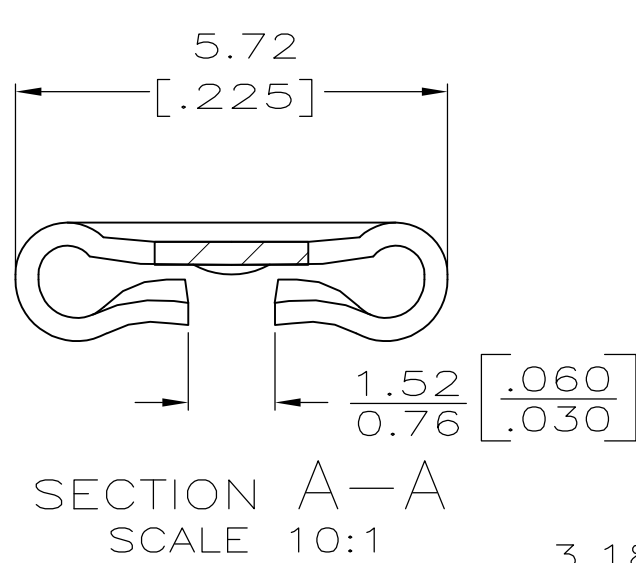
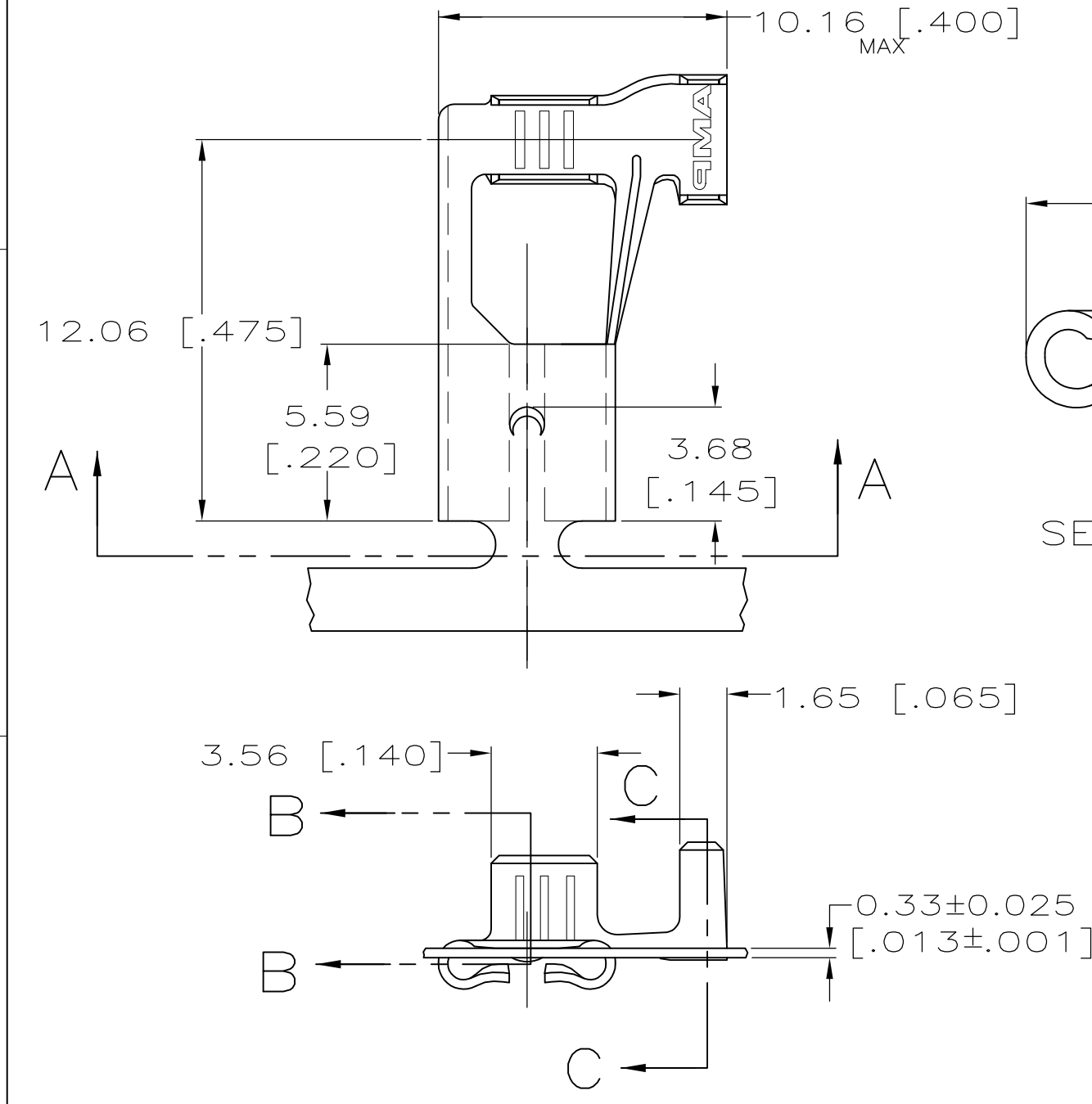


THIS DRAWING IS UNPUBLISHED. RELEASED FOR PUBLICATION
 © COPYRIGHT - By - ALL RIGHTS RESERVED.

LOC	DIST	REVISIONS			
P	LTR	DESCRIPTION	DATE	DWN	APVD
AF	50				
	D	REVISED PER ECR-12-013518	24NOV12	KH	PD



- 1 CONTINUOUS STRIP ON REELS.
- 2 ACCEPTS [#20-#16] AWG.
- 3 INSULATION RANGE 2.28-3.30 [.090-.130] DIA.

F OR O	WIDTH	STRIP LENGTH	TYPE	WIDTH	HEIGHT	WIRE
	3.56 [.140]	4.78 [.188]	F	2.29 [.090]	1.34 [.053]	[#16]
					1.17 [.046]	[#18]
					1.04 [.041]	[#20]
		±0.38 [.015]			±0.051 [.002]	
INSUL BARREL CRIMP		WIRE BARREL CRIMP				

THIS DRAWING IS A CONTROLLED DOCUMENT.	
DIMENSIONS: mm [INCHES]	TOLERANCES UNLESS OTHERWISE SPECIFIED:
	0 PLC ± -
	1 PLC ± -
	2 PLC ± 0.25 [.010]
	3 PLC ± -
	4 PLC ± -
	ANGLES ± -
MATERIAL BRASS	FINISH SEE TABLE

DWN JR RUTH 5/11/95	STE TE Connectivity			
CHK MS FEHER 5/11/95				
APVD P DESANTIS 5/11/95	NAME RECEPTACLE, FASTON, FLAG, 4.75 [.187] SERIES			
PRODUCT SPEC -	SIZE A3	CAGE CODE 00779	DRAWING NO C-63848	RESTRICTED TO -
APPLICATION SPEC 114-2079	CUSTOMER DRAWING		SCALE 5:1	SHEET 1 OF 1
WEIGHT -			REV D	

单击下面可查看定价，库存，交付和生命周期等信息

[>>TE Connectivity\(泰科\)](#)