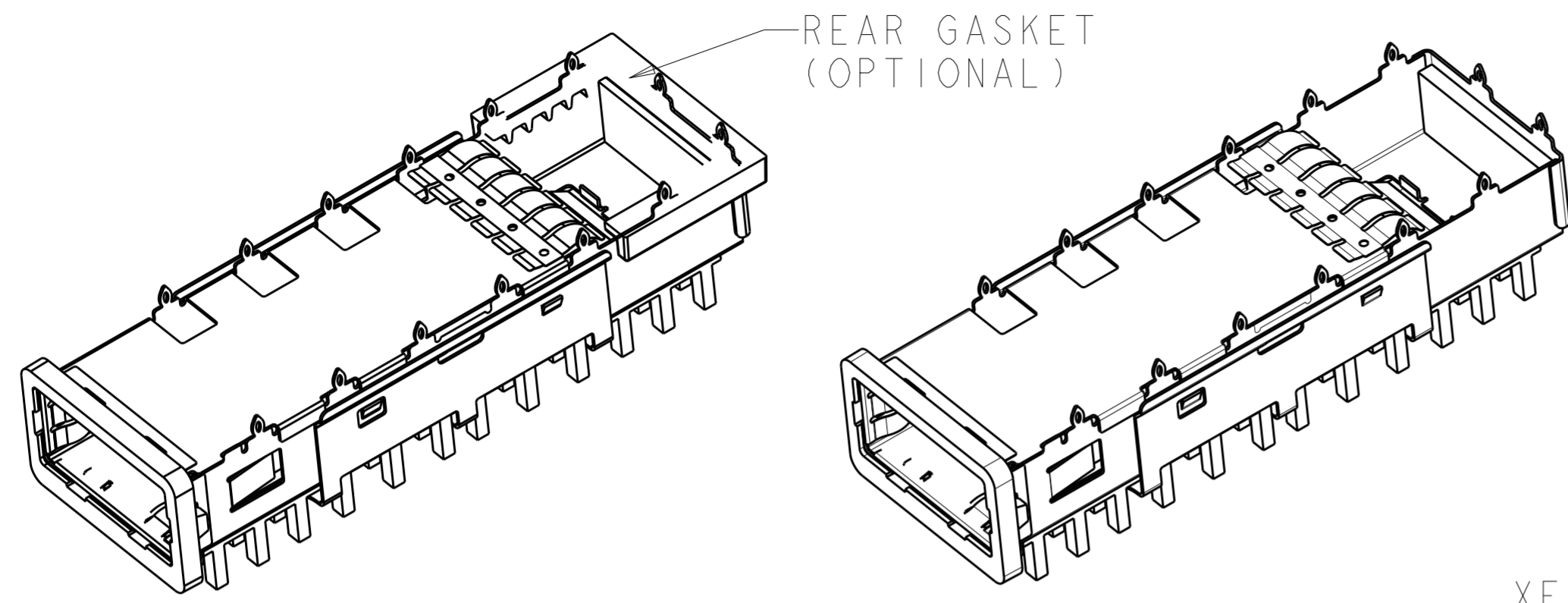


THIS DRAWING IS UNPUBLISHED. RELEASED FOR PUBLICATION 20
 © COPYRIGHT 20 BY - ALL RIGHTS RESERVED.

LOC		DIST		REVISIONS			
P	LTR	DESCRIPTION	DATE	DWN	APVD		
GP	00						
	C1	REVISED PER ECO-11-012169	15JUN2011	KS	MQ.W		
	C2	REV PER ECR-11-021282	19OCT2011	DZ	MQ.W		
	D	REVISED PER ECO-12-016753	27SEP2012	JY	AC		
	D1	REVISED PER ECO-16-004629	25MAR2016	PP	SH		



REAR GASKET (OPTIONAL)

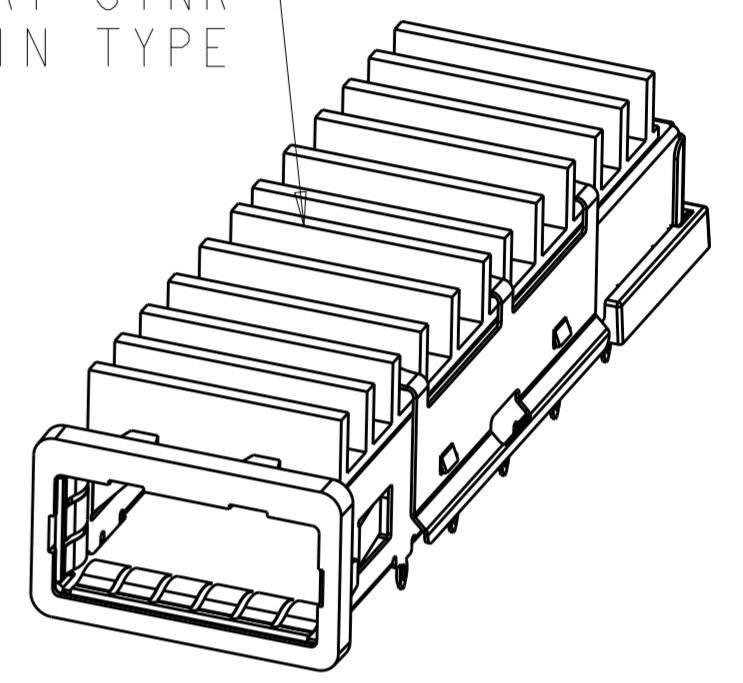
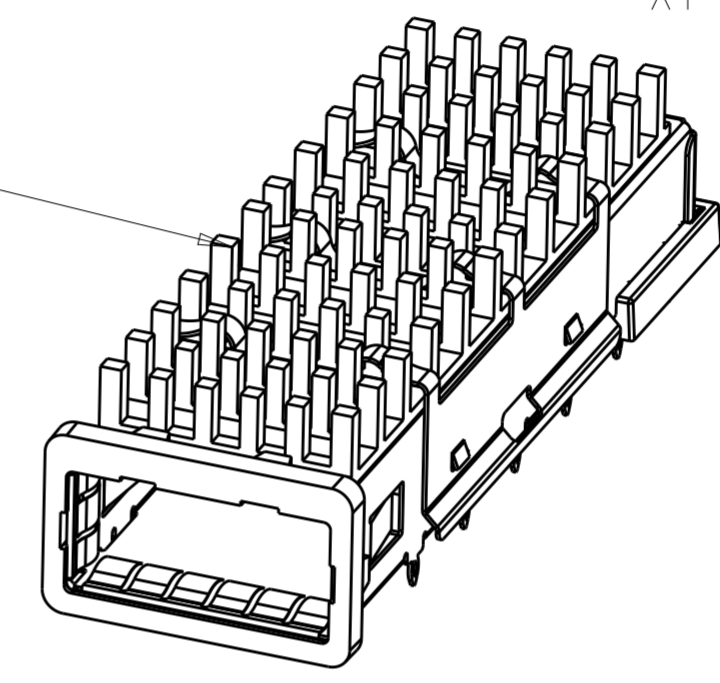
1888116-1/2/3/4
SCALE 2:1

1888116-5
SCALE 2:1

1. MATES WITH XFP MSA COMPLIANT TRANSCEIVERS.
2. SEE COMPONENT DRAWINGS FOR COMPONENT DIMENSIONS AND INFORMATION.

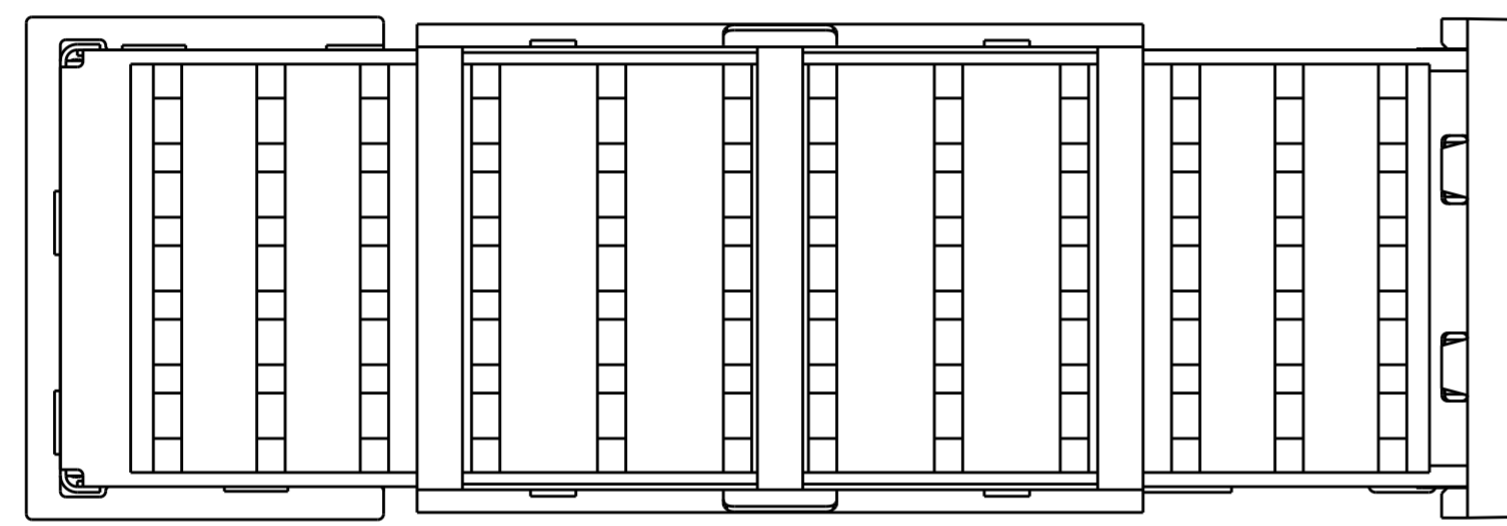
XFP HEAT SINK PIN TYPE

XFP HEAT SINK FIN TYPE

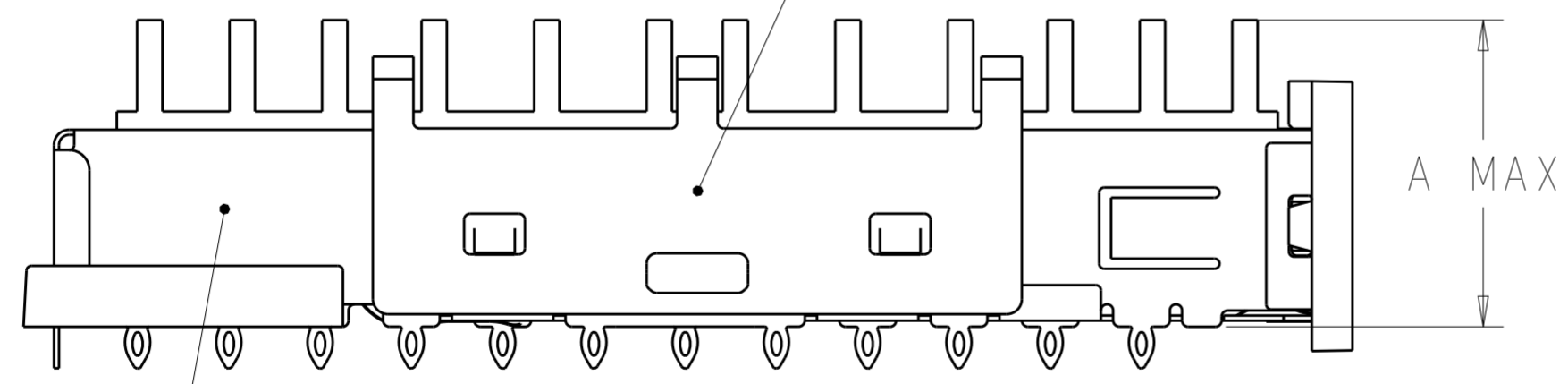


1888116-1, -2, -5
SCALE 2:1

1888116-3, -4
SCALE 2:1

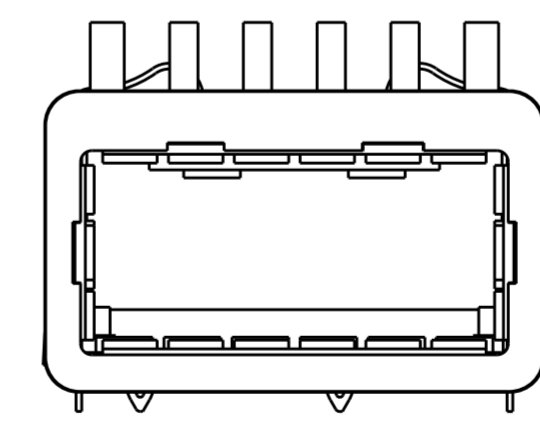


XFP HEAT SINK CLIP



A MAX

XFP CAGE ASSEMBLY



REAR GASKET	A MAX	APPLICATION	PART NUMBER
W/O	15.8	SAN	1888116-5
W/	13.6	PCI	1888116-4
W/	15.8	SAN	1888116-3
W/	13.6	PCI	1888116-2
W/	15.8	SAN	1888116-1

THIS DRAWING IS A CONTROLLED DOCUMENT.

DWN	J. GERACE	28NOV05	TE Connectivity	
CHK	J. KOPPENHEFFER	28NOV05		
APVD	M. WALMSLEY	28NOV05		
PRODUCT SPEC	108-2127			
APPLICATION SPEC	114-13096		NAME	XFP KIT ASSEMBLY
MATERIAL	-		SIZE	A200779
			CAGE CODE	C-1888116
			DRAWING NO	
			RESTRICTED TO	
			CUSTOMER DRAWING	SCALE 4 SHEET 1 OF 1 REV D1

单击下面可查看定价，库存，交付和生命周期等信息

[>>TE Connectivity\(泰科\)](#)