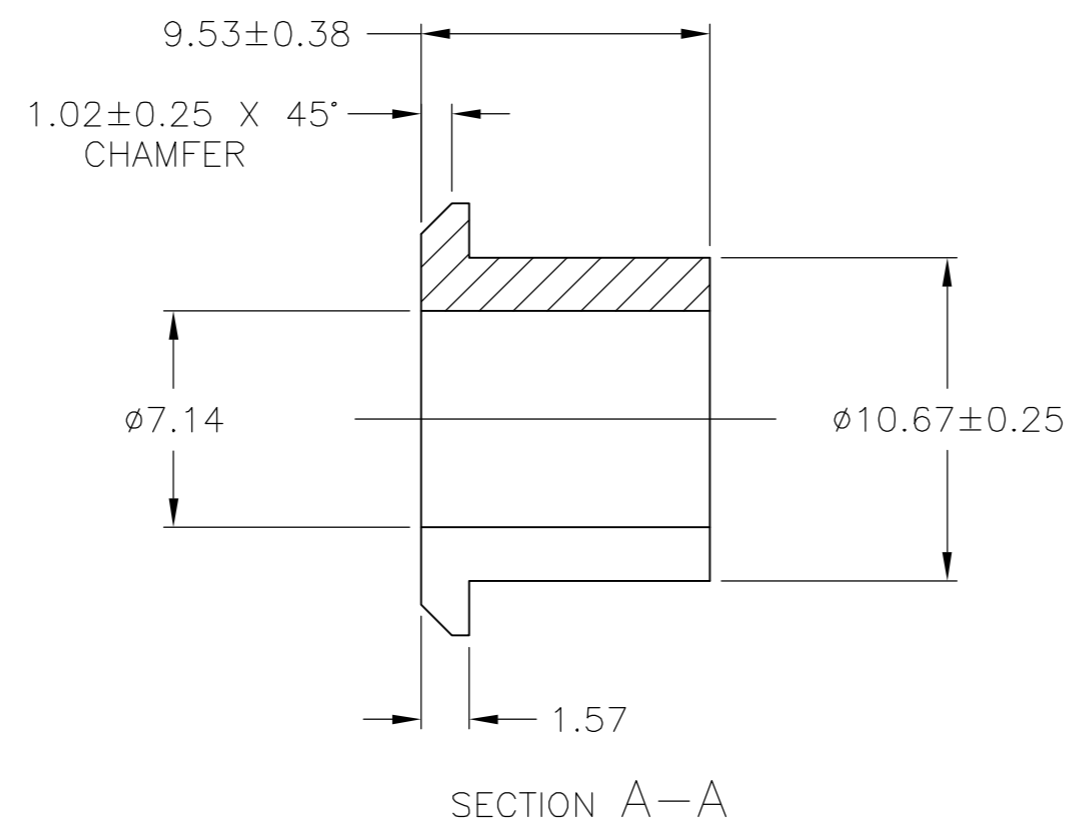
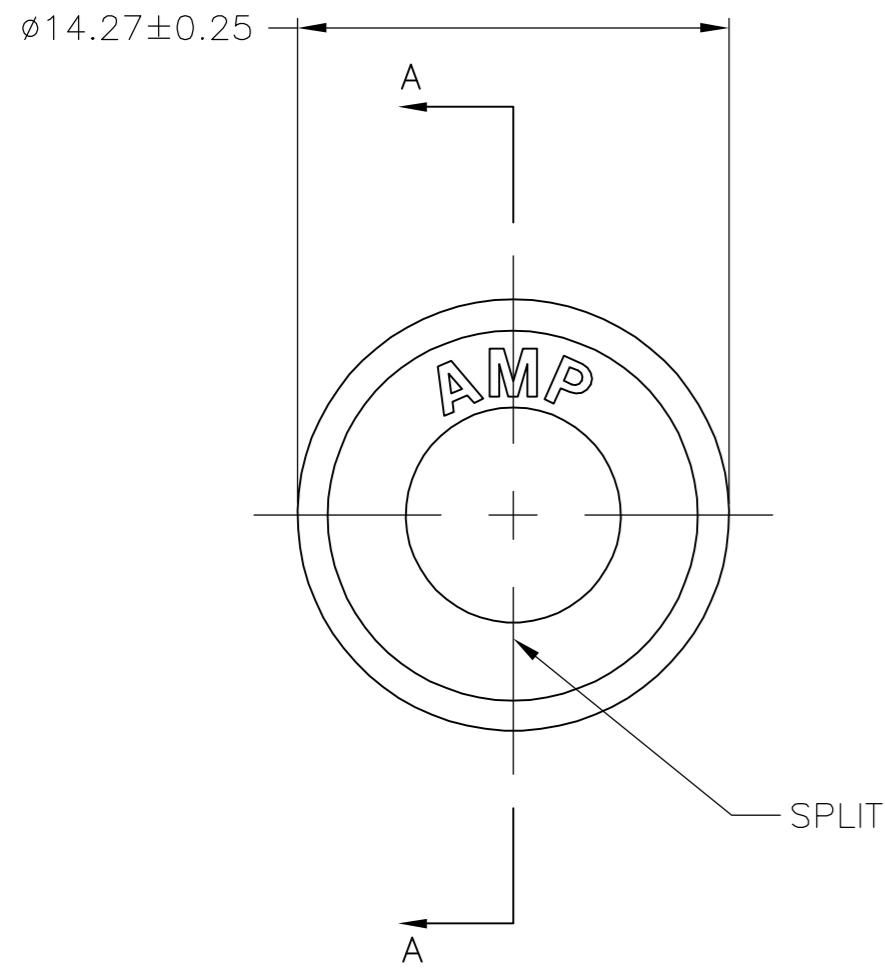
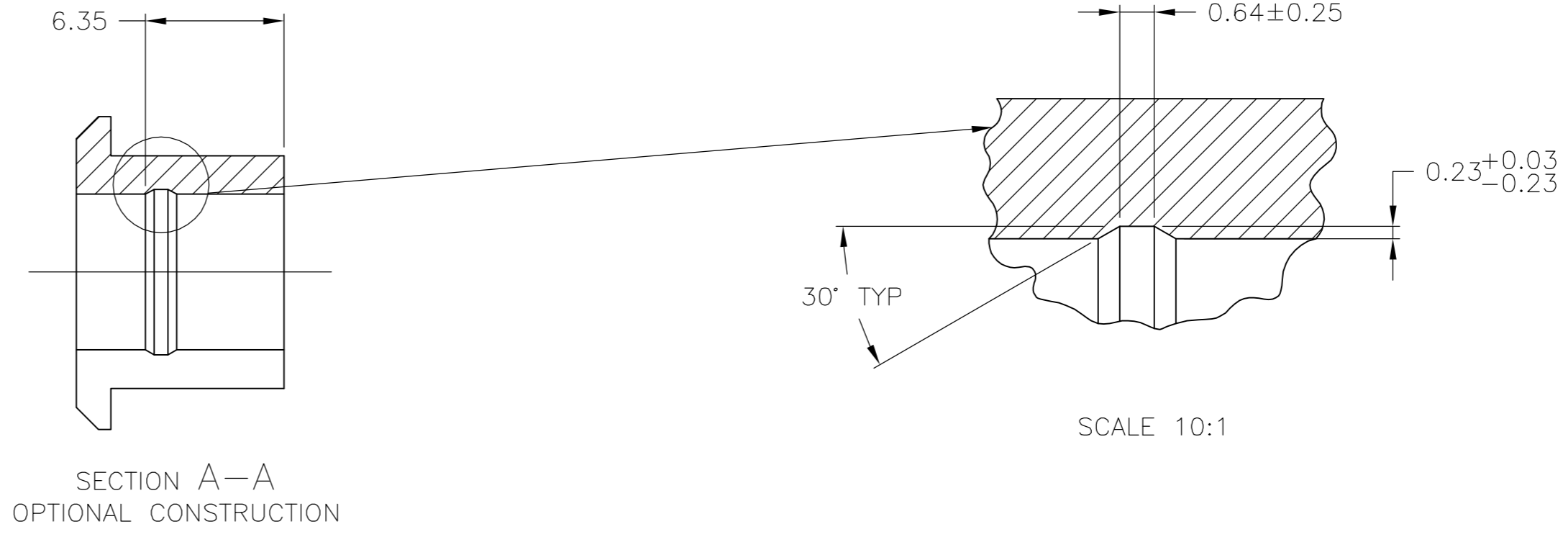
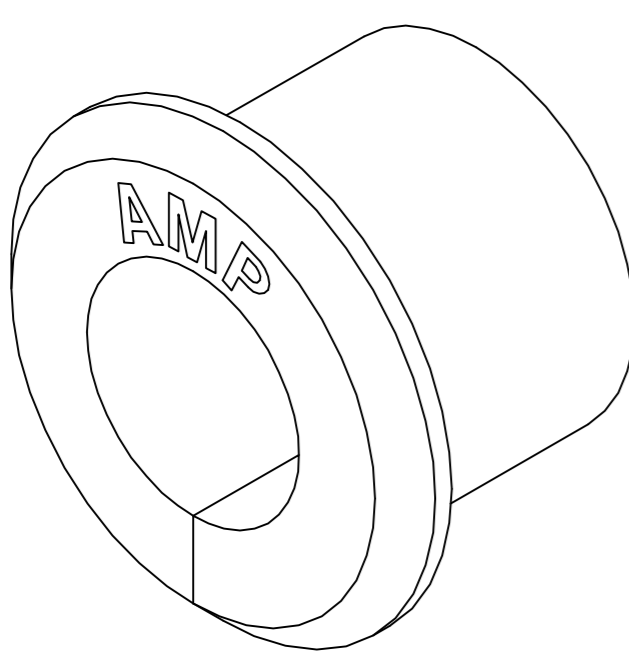


THIS DRAWING IS UNPUBLISHED. RELEASED FOR PUBLICATION
 © COPYRIGHT BY TYCO ELECTRONICS CORPORATION. ALL RIGHTS RESERVED.

LOC	DIST	REVISIONS			
P	LTR	DESCRIPTION	DATE	DWN	APVD
CM	0	H	ECO-06-012706	09JUN06	BSV JR



- USE WITH STRAIN RELIEF 350374.
- MOLDING COMPOUND PVC,FLEXIBLE, 55/75 DUROMETER (B SCALE),BLACK.
- MOLDING COMPOUND PVC,FLEXIBLE,BLACK.



3-DIMENSIONAL MODEL NTS

SUPERCEDED BY 2-350380-1	3	2-350380-1
	2	1-350380-1
	MATERIAL	PART NUMBER

MM	IN	MM	IN	MM	IN
0.38	.015	7.14	.281	-	-
0.25	.010	6.35	.250	-	-
0.23	.009	1.57	.062	14.27	.562
0.13	.005	1.02	.040	10.67	.420
0.03	.001	0.64	.025	9.53	.375

CONVERSION TABLE

METRIC

THIS DRAWING IS A CONTROLLED DOCUMENT.		DWN K. WHITAKER 24MAR06	tyco Electronics		Tyco Electronics Corporation Harrisburg, Pa 17105-3608	
DIMENSIONS: mm		CHK C. JONES 24MAR06	NAME GROMMET,SPLIT,M.R.			
TOLERANCES UNLESS OTHERWISE SPECIFIED:		APVD C. JONES 24MAR06	PRODUCT SPEC			
0 PLC ± -		APPLICATION SPEC				
1 PLC ± -		WEIGHT				
2 PLC ± -		SIZE A2				
3 PLC ± 0.13		CAGE CODE 00779				
4 PLC ± -		DRAWING NO C=350380				
ANGLES ± 1'0"		RESTRICTED TO				
FINISH		CUSTOMER DRAWING				
SEE TABLE		SCALE 4:1				
		SHEET 1 OF 1				
		REV H				

单击下面可查看定价，库存，交付和生命周期等信息

[>>TE Connectivity\(泰科\)](#)