

THIS DRAWING IS UNPUBLISHED.

RELEASED FOR PUBLICATION

ALL RIGHTS RESERVED.

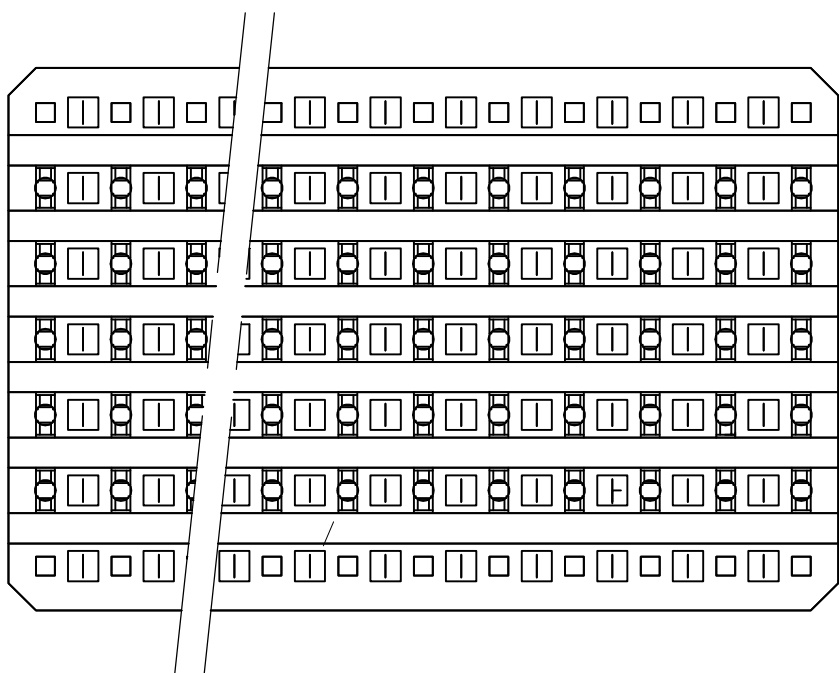
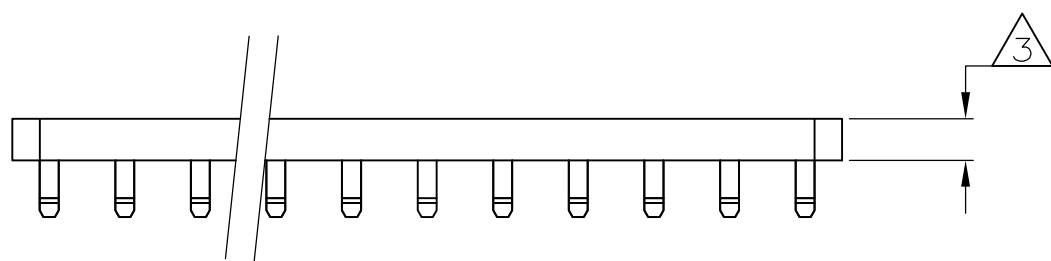
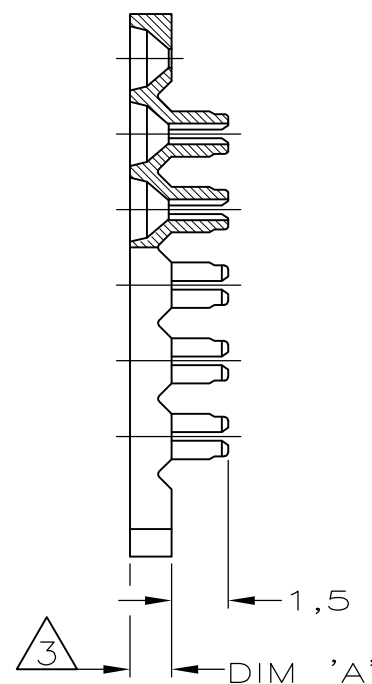
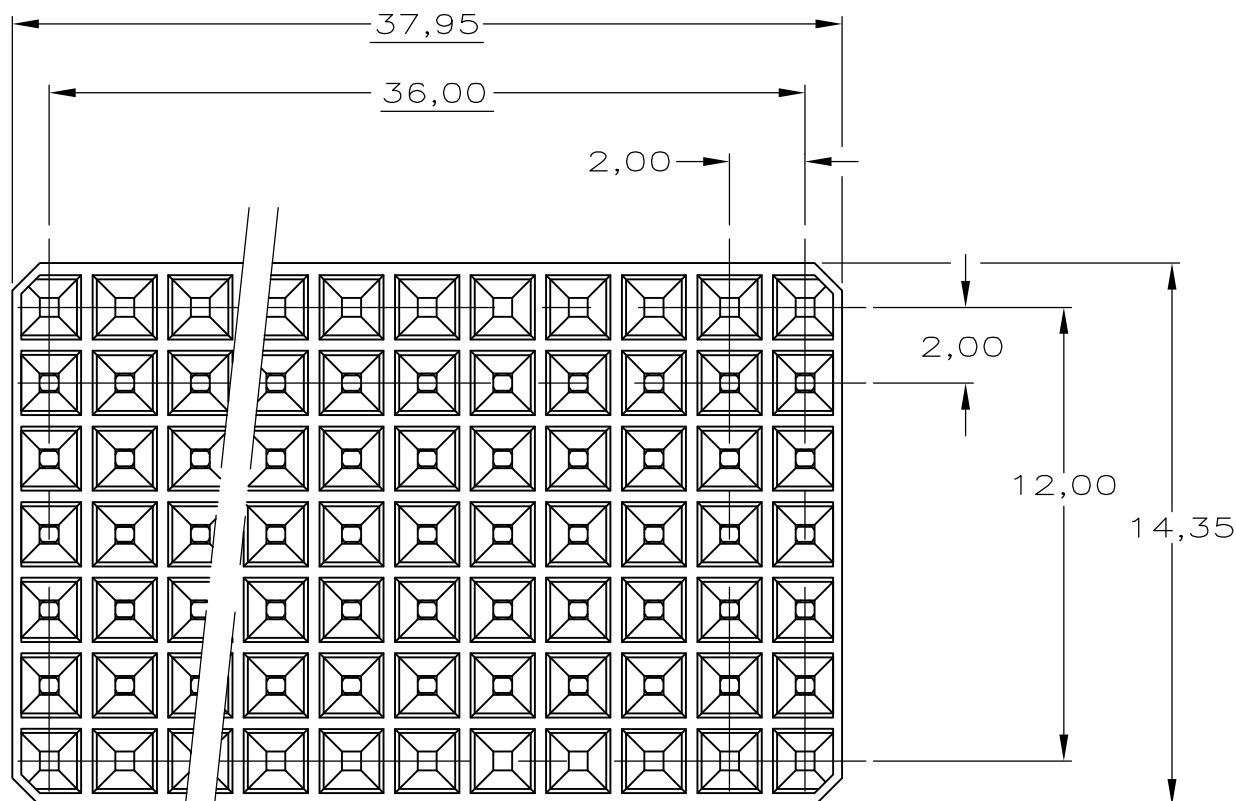
© COPYRIGHT - TE Connectivity

REVISIONS

P	LTR	DESCRIPTION	DATE	DWN	APVD
D		ECR-16-013251	12JUL2017	FL	SY

NOTES:

- 1. MATERIAL: UNFILLED POLYESTER.(GREY)
- 2. 0-352012-3 AS SHOWN.
- 3. VARIABLE HEIGHT.
- 4. TO DETERMINE THE RECOMMENDED SPACER-THICKNESS FOR A GIVEN PCB THICKNESS: SEE APPLICATION SPECIFICATION 114-19031.
- 5. OBSOLETE PARTS: OBSOLETE CIS STREAMLINING PER D.RENAUD/D.SINISI



	PARTNUMBER	4 DIM "A"
OBSOLETE	0-352012-1	0,7
OBSOLETE	0-352012-2	0,9
5	0-352012-3	1,1
OBSOLETE	0-352012-4	1,3
	0-352012-5	1,5
OBSOLETE	0-352012-6	1,7
5	0-352012-7	1,9

THIS DRAWING IS A CONTROLLED DOCUMENT.		DWN D. TRUREN 16-AUG-96	<b>TE Connectivity</b>		
DIMENSIONS: mm		CHK FVKONINGSBRUGGE 24 JUN 1997			
TOLERANCES UNLESS OTHERWISE SPECIFIED:		APVD FVKONINGSBRUGGE 24 JUN 1997	PRODUCT SPEC		
0 PLC ± 1 PLC ± 2 PLC ± ±0.2 3 PLC ± 4 PLC ± ANGLES ±- FINISH -		APPLICATION SPEC 108-19082	RESTRICTED TO		
MATERIAL		WEIGHT 0.000000	SIZE A3	CAGE CODE 00779	DRAWING NO C-352012
CUSTOMER DRAWING			SCALE -	SHEET 1 OF 1	REV D

单击下面可查看定价，库存，交付和生命周期等信息

[>>TE Connectivity\(泰科\)](#)