

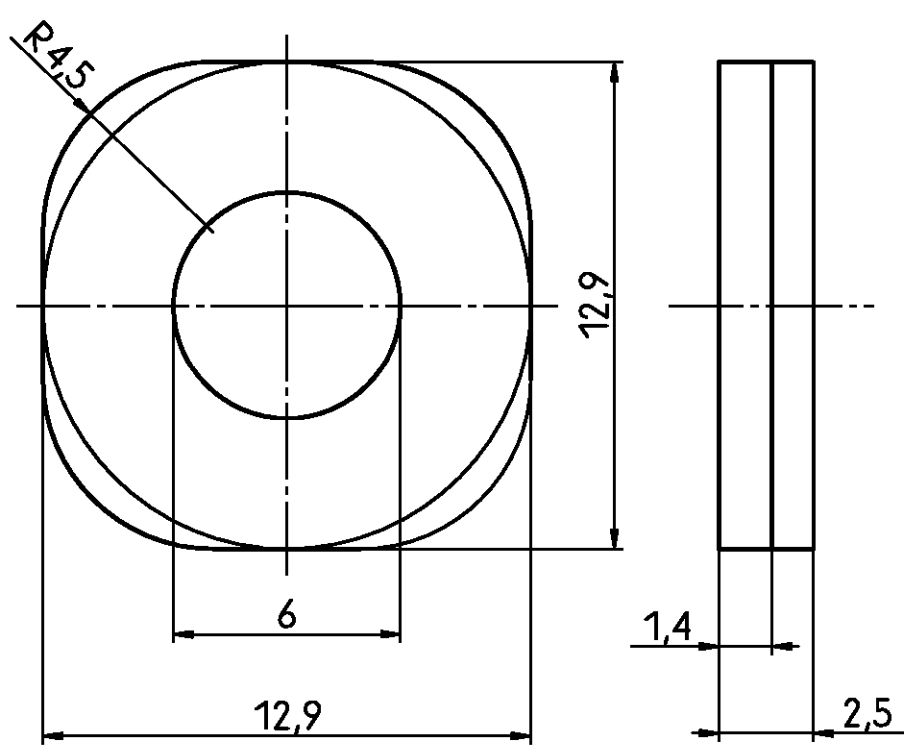
1 2 3 4

A

B

C

D



	Old Part Number	Tyco Part Number	colour
	V42254-A6206-L1	4-1393561-9	grey
SUPERSEDED BY 4-1393561-9	V42254-A6206-L100	<del>5-1393561-0</del>	black



TE Connectivity



LOC DIMENSIONS IN MM  
GW

SCALE 5:1

WEIGHT

MATERIAL

F

				DATE	01.08.88	PART NAME  bushing  D-Sub housing	PART NO.  V42254-A6206-L1-*27	SHT. 1-
				NAME	Vandewyngaerde			
				DEP.	PD Com P&SE			
				EC				
B	ECO-18-013397	24AUG18	DG	TOLERANCE UNLESS SPECIFIED OTHERWISE				
A	WO00/7013	03.07.00	KV					
01		01.08.88	VDW					
REV.	CHANGE ORDER	DATE	APP.	customer drawing number: C 4-1393561-9				OF 1

1

3

4

THIS INFORMATION IS CONFIDENTIAL AND PROPRIETARY TO TYCO ELECTRONICS CORPORATION AND ITS WORLDWIDE SUBSIDIARIES AND AFFILIATES. IT MAY NOT BE DISCLOSED TO ANYONE, OTHER THAN TYCO ELECTRONICS PERSONNEL, WITHOUT WRITTEN AUTHORIZATION FROM TYCO ELECTRONICS CORPORATION, HARRISBURG, PENNSYLVANIA USA.

PROPRIETARY:

单击下面可查看定价，库存，交付和生命周期等信息

[>>TE Connectivity\(泰科\)](#)