

THIS DRAWING IS UNPUBLISHED.

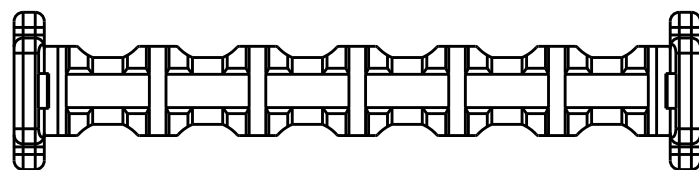
RELEASED FOR PUBLICATION

20

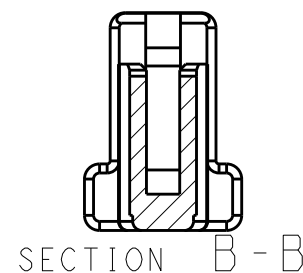
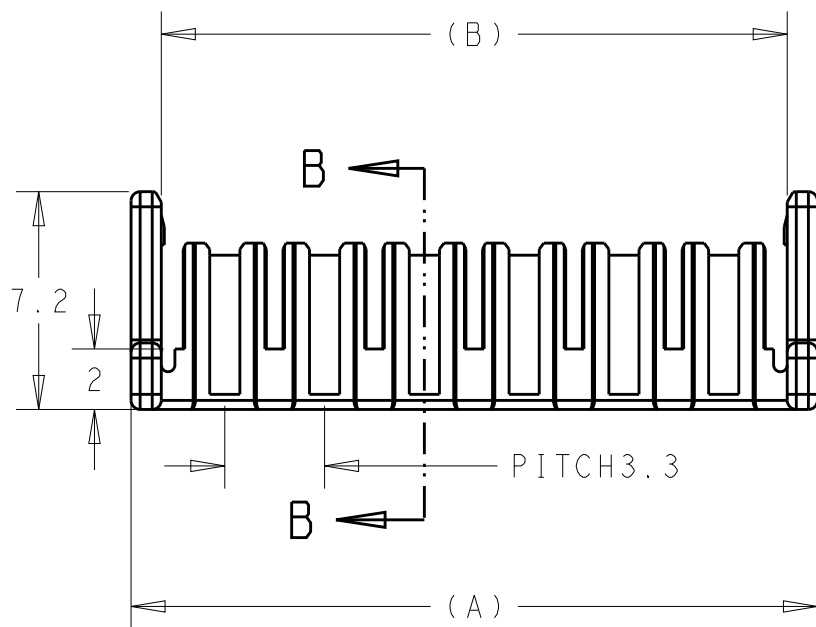
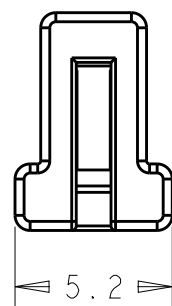
© COPYRIGHT 20 BY -

ALL RIGHTS RESERVED.

LOC	DIST	REVISIONS					
		P	LTR	DESCRIPTION	DATE	DWN	APVD
-	-		A	INITIAL RELEASE	1/8/2013	LZH	MYH
			A1	ADD P/Ns AND DIMENSIONS FOR 14P	07MAR2013	WYP	MYH
			B	ECR-13-011563	15Aug. 2013	WRP	ZHB
			B2	ECR-15-010308	11JULY2015	A.Q	D.Z

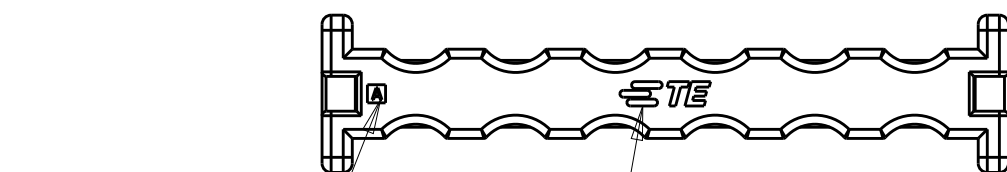


NOTE:  
 1. APPLICABLE P/N PLUG HOUSING: \*-1971905-\*  
 APPLICABLE P/N CONTACT: 1983780-1.  
 2. APPLICABLE WIRE RANGE: AWG24~AWG20  
 INSULATION DIA:  $\phi$ 1.5- $\phi$ 2.5MM  
 3. MATERIAL:  
 THERMAL PLASTIC MATERIAL, (UL94 V-0)



P/N	Pos.	DIM.A	DIM.B	COLOR
2-1971904-2	4	9.5	7.5	BLUE
2-1971904-3	6	12.8	10.8	
2-1971904-4	8	16.1	14.1	
2-1971904-5	10	19.4	17.4	
2-1971904-6	12	22.7	20.7	
2-1971904-7	14	26.0	24.0	

	P/N	Pos.	A	B	COLOR
OBSOLETE	<del>1971904-2</del>	4	9.5	7.5	BLACK
OBSOLETE	<del>1971904-3</del>	6	12.8	10.8	
OBSOLETE	<del>1971904-4</del>	8	16.1	14.1	
OBSOLETE	<del>1971904-5</del>	10	19.4	17.4	
OBSOLETE	<del>1971904-6</del>	12	22.7	20.7	
OBSOLETE	<del>1971904-7</del>	14	26.0	24.0	



CAVITY MARK — TRADE MARK

THIS DRAWING IS A CONTROLLED DOCUMENT.		DWN LZH 01Aug2013	TE Connectivity			
DIMENSIONS: mm		CHK HAPYE.WU 01Aug2013			NAME	
TOLERANCES UNLESS OTHERWISE SPECIFIED:		APVD YH.MAO 01Aug2013				
0 PLC ±- 1 PLC ±0.5 2 PLC ±0.20 3 PLC ±- 4 PLC ±- ANGLES ±- FINISH -		PRODUCT SPEC 108-106094			NEXT GENERATION GI 3.3 TERMINAL POSITION ASSURENCE	
MATERIAL SEE NOTE		APPLICATION SPEC -	SIZE	CAGE CODE	DRAWING NO	RESTRICTED TO
		WEIGHT -	A3	00779	1971904	-
		Customer Drawing	SCALE N/A	SHEET 1 OF 3	REV B2	

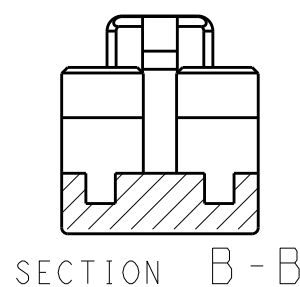
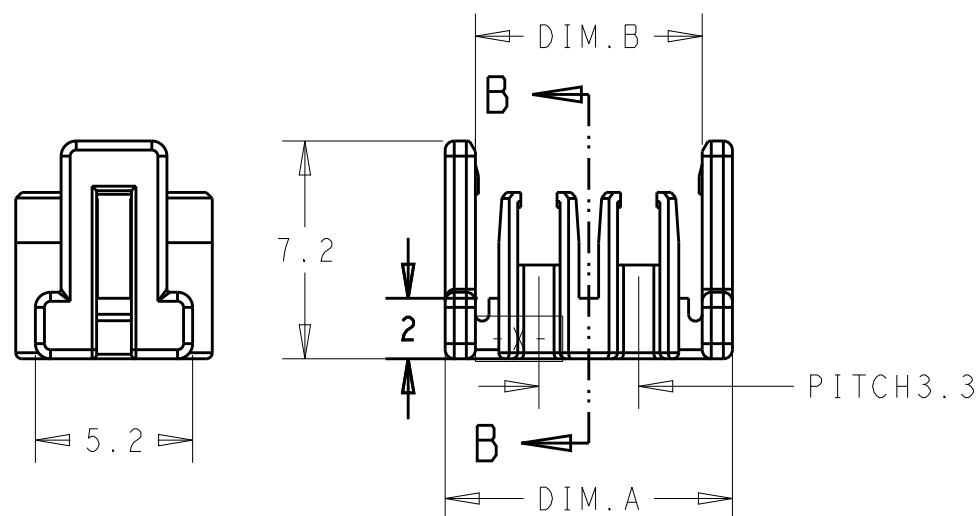
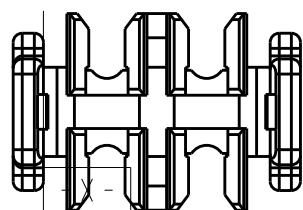
THIS DRAWING IS UNPUBLISHED.

RELEASED FOR PUBLICATION 20

© COPYRIGHT 20 BY - ALL RIGHTS RESERVED.

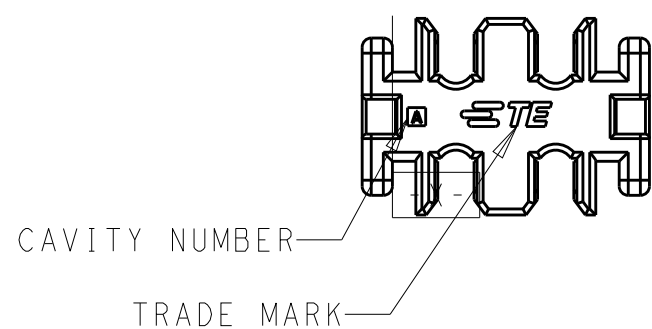
LOC	DIST	REVISIONS					
		P	LTR	DESCRIPTION	DATE	DWN	APVD
-	-	-	-	SEE SHEET 1	-	-	-

4-1971904-2 AS SHOWN



NOTE:  
 1. APPLICABLE P/N PLUG HOUSING: \*-1971905-\*  
 APPLICABLE P/N CONTACT: 1971795-1.  
 2. APPLICABLE WIRE RANGE: AWG28~AWG26  
 INSULATION DIA:  $\varnothing$ 0.8- $\varnothing$ 1.2MM  
 3. MATERIAL:  
 THERMAL PLASTIC MATERIAL, (UL94 V-0)

P/N	Pos.	DIM.A	DIM.B	COLOR
4-1971904-2	4	9.5	7.5	YELLOW
4-1971904-3	6	12.8	10.8	



THIS DRAWING IS A CONTROLLED DOCUMENT.		DWN ANNIE QIAN 01APR2015	TE Connectivity	
DIMENSIONS: mm		CHK ANNIE QIAN 01APR2015		
TOLERANCES UNLESS OTHERWISE SPECIFIED:		APVD DANIEL ZHANG 01APR2015	NAME NEXT GENERATION GI3.3	
0 PLC ± 1 PLC ± 2 PLC ±0.20 3 PLC ± 4 PLC ± ANGLES ±1		PRODUCT SPEC 108-106094	RESTRICTED TO	
MATERIAL -		APPLICATION SPEC 114-106094	SIZE A3	CAGE CODE -
FINISH -		WEIGHT -	DRAWING NO C-1971904	SCALE N/A
CUSTOMER DRAWING			SHEET 2	OF 3
			REV B2	

THIS DRAWING IS UNPUBLISHED.

RELEASED FOR PUBLICATION

20

© COPYRIGHT 20 BY -

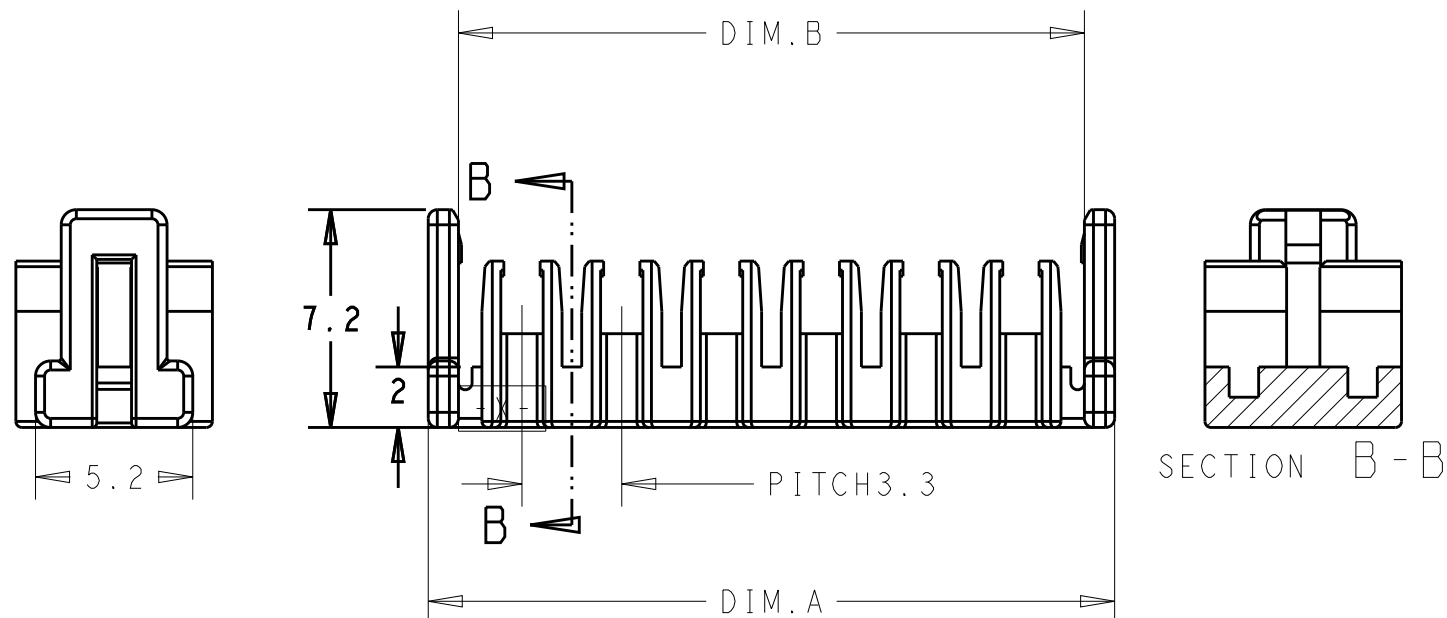
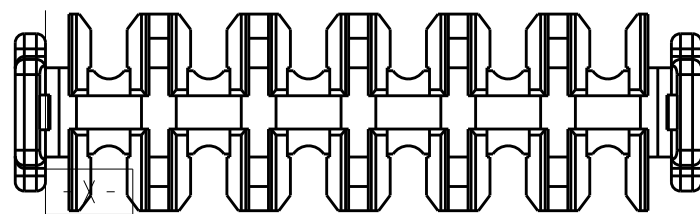
ALL RIGHTS RESERVED.

LOC - DIST -

REVISIONS

P	LTR	DESCRIPTION	DATE	DWN	APVD
-	-	SEE SHEET 1	-	-	-

4-1971904-6 AS SHOWN



NOTE:  
 1. APPLICABLE P/N PLUG HOUSING: \*-1971905-\*  
 APPLICABLE P/N CONTACT: 1971795-1.  
 2. APPLICABLE WIRE RANGE: AWG28~AWG26  
 INSULATION DIA:  $\varnothing 0.8$ - $\varnothing 1.2$ MM  
 3. MATERIAL:  
 THERMAL PLASTIC MATERIAL, (UL94 V-0)


P/N	Pos.	DIM.A	DIM.B	COLOR
4-1971904-4	8	16.1	14.1	YELLOW
4-1971904-5	10	19.4	17.4	
4-1971904-6	12	22.7	20.7	
4-1971904-7	14	26.0	24.0	

CAVITY NUMBER

TRADE MARK

THIS DRAWING IS A CONTROLLED DOCUMENT.

DIMENSIONS: mm	TOLERANCES UNLESS OTHERWISE SPECIFIED: 0 PLC ±- 1 PLC ±- 2 PLC ±0.20 3 PLC ±- 4 PLC ±- ANGLES ±1
MATERIAL -	FINISH -

DWN ANNIE QIAN 09MAR2015	 TE Connectivity NAME NEXT GENERATION GI3.3 TERMINAL POSITION ASSURENCE -
CHK ANNIE QIAN 09MAR2015	
APVD DANIEL ZHANG 09MAR2015	
PRODUCT SPEC 108-106094	
APPLICATION SPEC 114-106094	RESTRICTED TO
WEIGHT -	SCALE N/A
CUSTOMER DRAWING	SHEET 3 OF 3

SIZE A3	CAGE CODE -	DRAWING NO C-1971904	REV B2
------------	----------------	-------------------------	-----------

单击下面可查看定价，库存，交付和生命周期等信息

[>>TE Connectivity\(泰科\)](#)