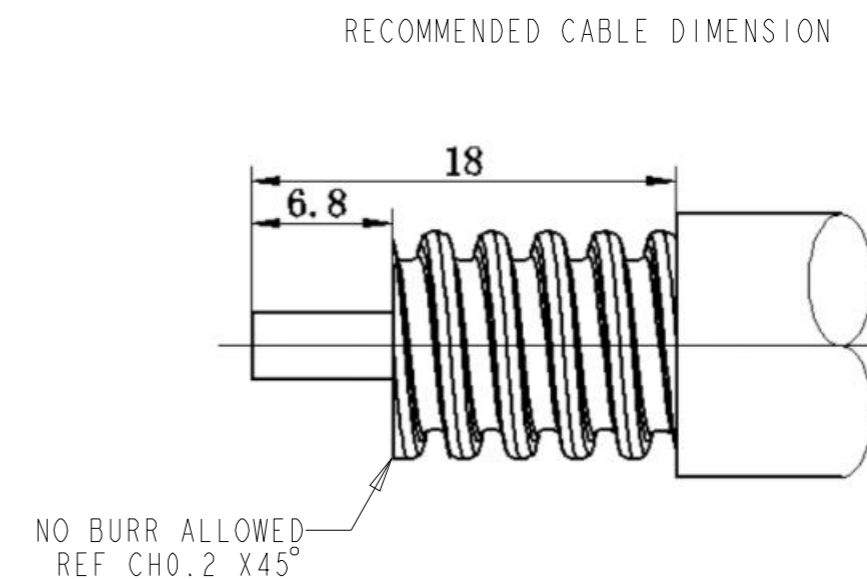
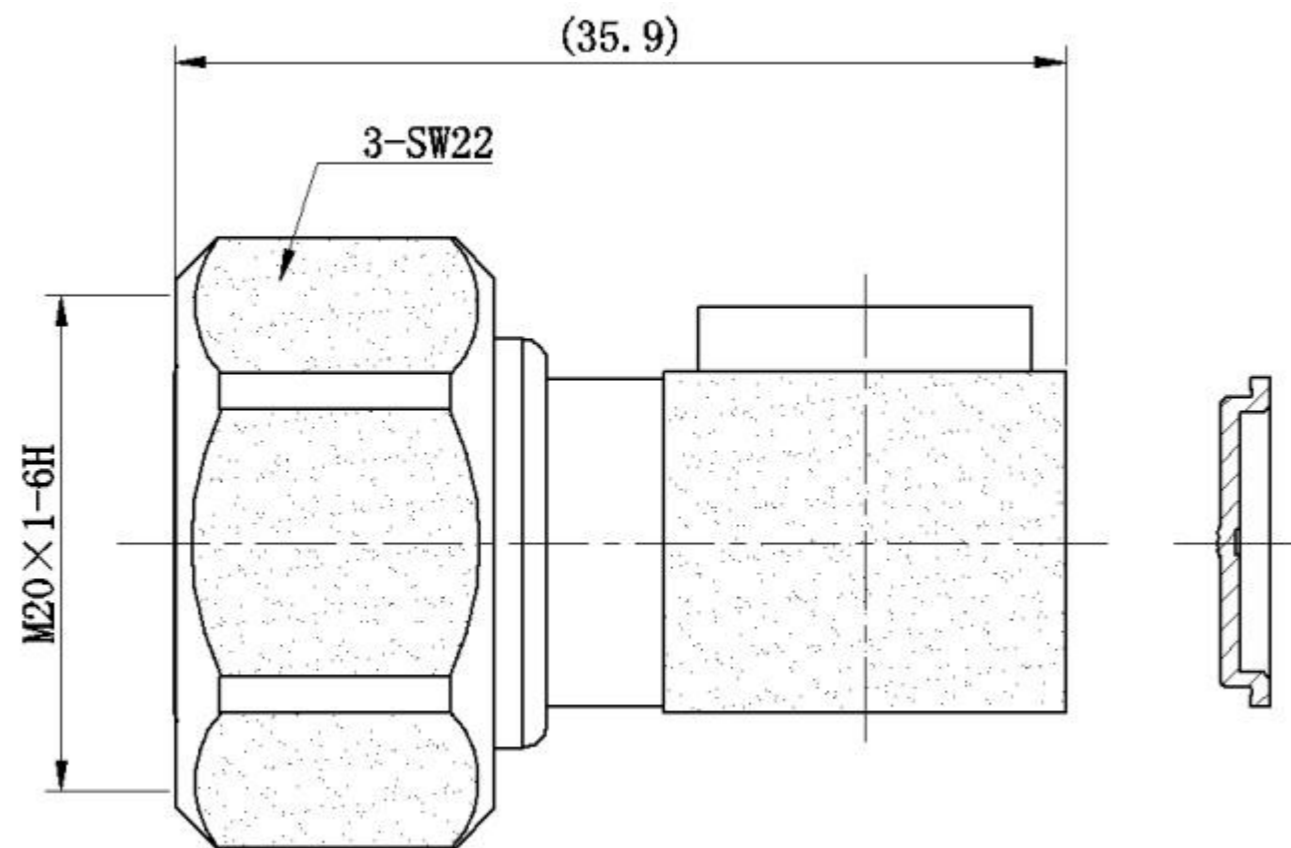


ELECTRICAL	MECHANICAL	ENVIRONMENTAL
IMPEDANCE <u>50 Ohm</u> FREQUENCY RANGE <u>DC to 6GHz</u> INSERTION LOSS: <u>MAX. 0.05*SQRT(F) dB</u> VSWR: <u>MAX. 1.15@0-3GHz</u> <u>MAX. 1.35@3-6GHz</u> DIELECTRIC WITHSTAND VOLTAGE: <u>MAX. 2500 V RMS</u> INSULATION RESISTANCE <u>MIN. 5000 Mohms</u> PIM3: <u>MAX. -160dBc @2x20W, 900MHz, 1800MHz,</u> <u>2100MHz tested with cable</u>	MATING CYCLES: <u>MIN. 100 CYCLES</u> RECOMMENDED TORQUE: <u>5Nm</u> CABLE PULLING: <u>500N MIN.</u> CABLE TORSION: <u>5Nm MIN.</u>	TEMPERATURE RANGE: <u>-40°~+85°C</u> SALT SPRAY: <u>96H</u> INTERFACE SEAL: <u>IP68(1m, 24h) MATED</u> PANEL SEAL: <u>N/A</u>

REVISIONS					
P	LTR	DESCRIPTION	DATE	DWN	APVD



NOTE:

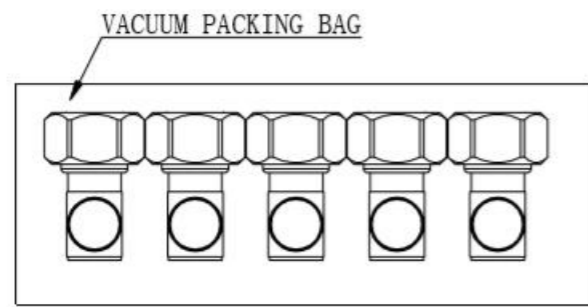
1. INTERFACE ACCORDING TO IEC 61169-54
2. CAP IS SPARE PART, AND WILL BE PACKAGED SEPARATELY.

P/N	PART NAME	MATERIAL	PLATING
2081969-1	CENTER CONTACT	BRASS	SILVER
	OUTER CONTACT	BRASS	WHITE BRONZE
	INSULATOR	PTFE	
	O-RING	SILICONE RUBBER	
	CAP	BRASS	WHITE BRONZE
	NUT	BRASS	NICKEL

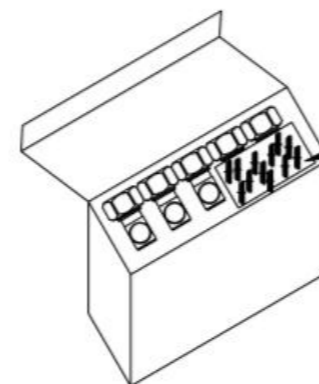
THIS DRAWING IS A CONTROLLED DOCUMENT.		DWN	JZ	10MAR2020			
DIMENSIONS: mm		CHK	RZ	10MAR2020			
TOLERANCES UNLESS OTHERWISE SPECIFIED:		APVD	RS	10MAR2020	NAME		
0 PLC ±0.3 1 PLC ±0.2 2 PLC ±0.2 3 PLC ±0.2 4 PLC ±0.2 ANGLES ±		PRODUCT SPEC		108-115175		4.3-10 RA PLUG, SCREW FOR 1/2 SUPERFLEX CABLE SOLDER TYPE	
MATERIAL SEE TABLE		APPLICATION SPEC		408-160012		SIZE	A3
FINISH SEE TABLE		WEIGHT		39g		CAGE CODE	00779
-		CUSTOMER DRAWING		DRAWING NO		DRAWING NO	©-2081969
-		SCALE		1:1		SHEET	1 OF 2
-		REV		A		RESTRICTED TO	

REVISIONS

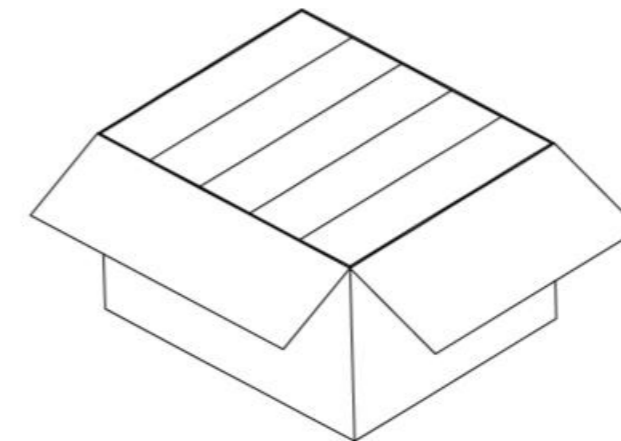
P	LTR	DESCRIPTION	DATE	DWN	APVD



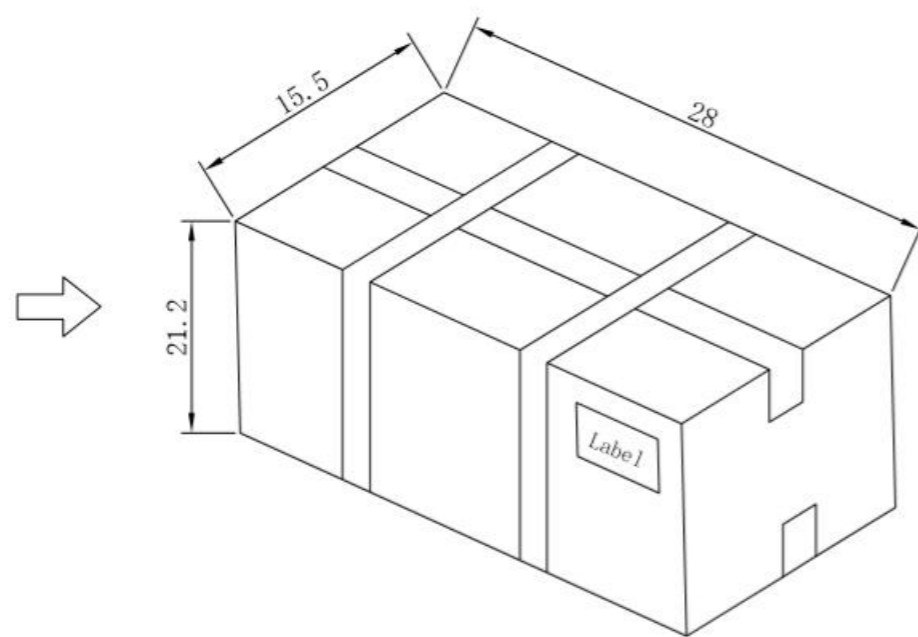
VACUUM PACKING (5PCS/BAG)



INNER BOX (10PCS/BOX)



OUTER BOX (150PCS/BOX)



PACKAGE

(BOX SIZE ONLY FOR REFERENCE, UNIT:CM)

THIS DRAWING IS A CONTROLLED DOCUMENT.		DWN JZ	10MAR2020		
DIMENSIONS: mm		CHK RZ	10MAR2020		
		APVD RS	10MAR2020		
TOLERANCES UNLESS OTHERWISE SPECIFIED: 0 PLC ±0.2 1 PLC ±0.2 2 PLC ±0.2 3 PLC ±0.2 4 PLC ±0.2 ANGLES ±		PRODUCT SPEC 108-115175	NAME 4.3-10 RA PLUG, SCREW FOR 1/2 SUPERFLEX CABLE SOLDER TYPE		
MATERIAL SEE TABLE		FINISH SEE TABLE		APPLICATION SPEC 408-160012	RESTRICTED TO -
-		-		WEIGHT 39g	SIZE A3
-		-		CUSTOMER DRAWING	CAGE CODE 00779
-		-		SCALE 1:1	DRAWING NO C-2081969
-		-		SHEET 2 OF 2	REV A

单击下面可查看定价，库存，交付和生命周期等信息

[>>TE Connectivity\(泰科\)](#)