

1565 –1585 MHz Single Band Antenna (GPS)

Part Number: 1513634-1

Product Facts

- Small form factor enables use in virtually any wireless device.
- Available in Tape & Reel.
- RoHS compliant

Recommendations

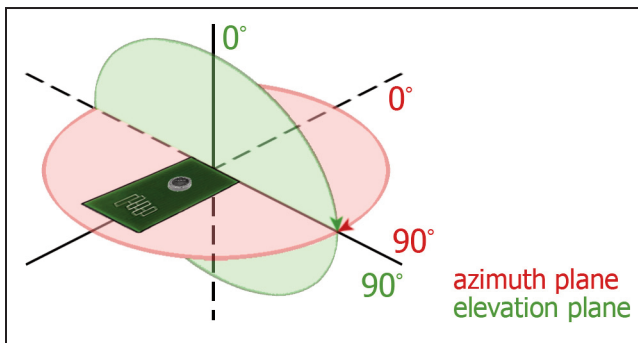
- Minimum or no matching circuits required.
- Bandwidth and performance is dependent on ground plane size. Suggested minimum ground plane length from the antenna feed is 50 mm.
- PCB ground is to be on top layer.



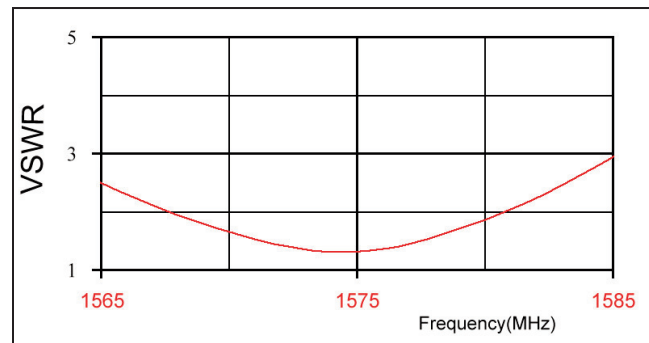
Specifications

Frequency Range (MHz)	1565 –1585
Peak Gain	0 dBi
VSWR	< 3.0:1
Polarization	RHCP (right-hand circular)
Power Handling	10 Watt cw
Feed Point Impedance	50 Ohms unbalanced
Size	16.00 mm dia. x 6.05 mm
Weight	< 1 g.
Mounting	Surface-mount technology. See page
Keep Out Area	2 See diagram on page 2
Reflow Temperature	240°C PB free
Operating Temperature	-40°C ~ 85°C

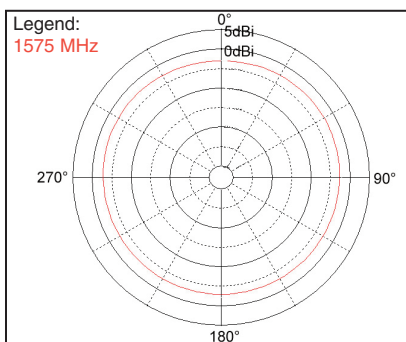
Test Orientation in Free Space



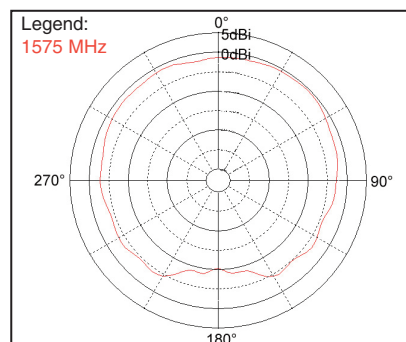
VSWR



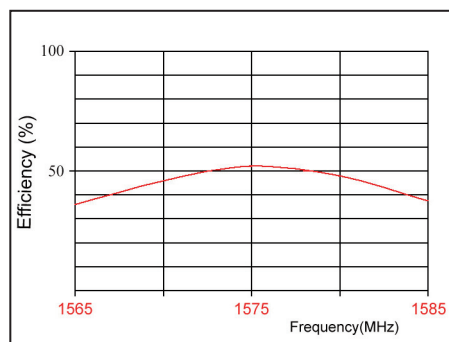
Azimuth



Elevation



Efficiency



单击下面可查看定价，库存，交付和生命周期等信息

[>>TE Connectivity\(泰科\)](#)