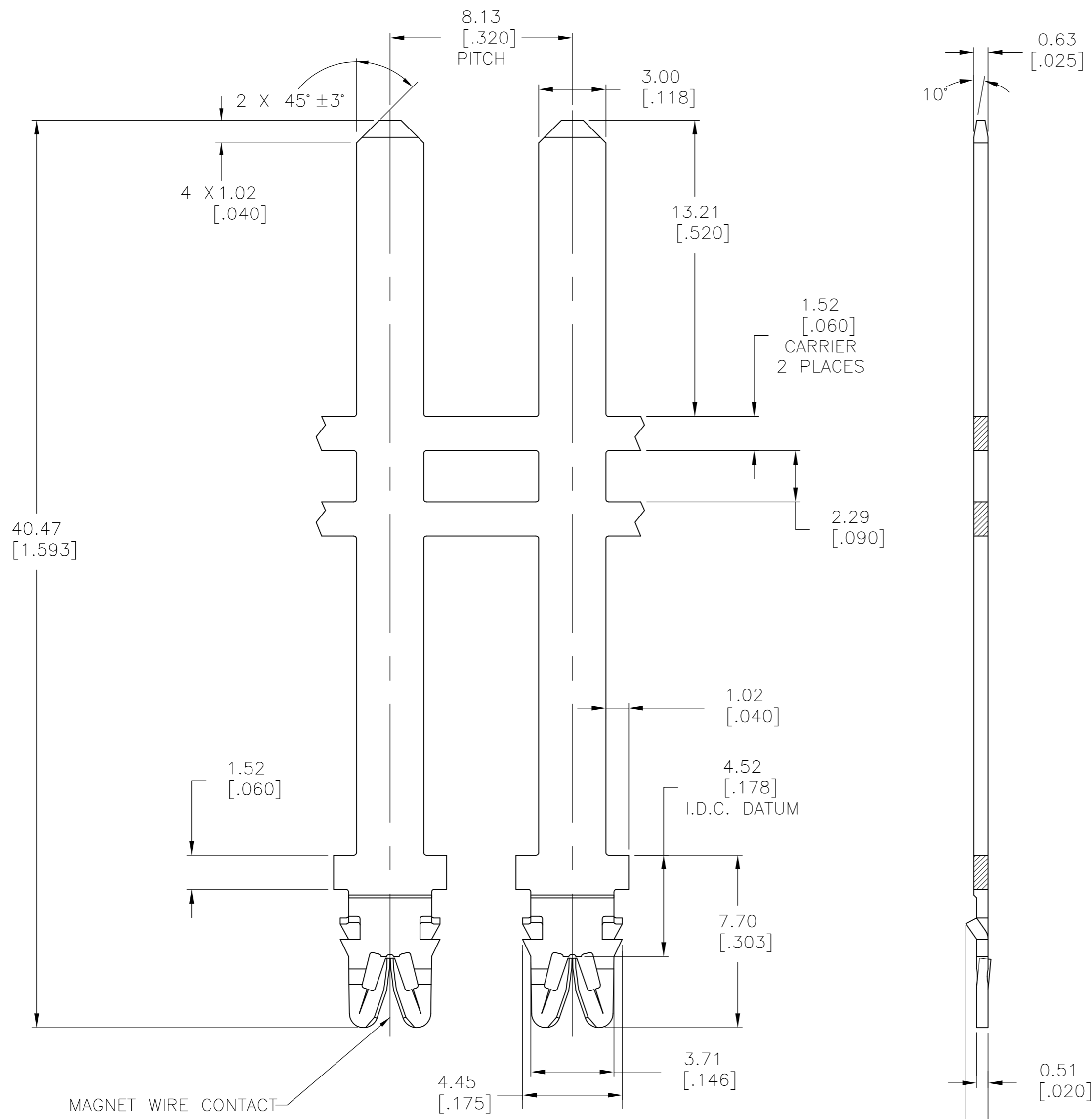
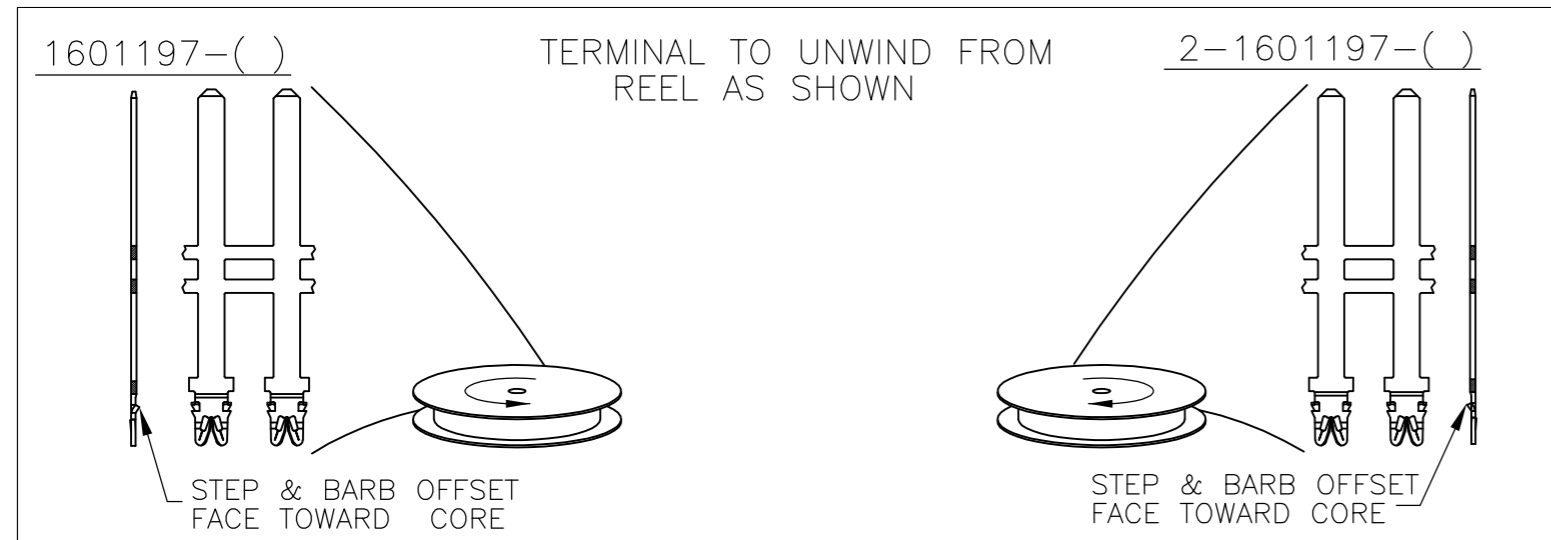
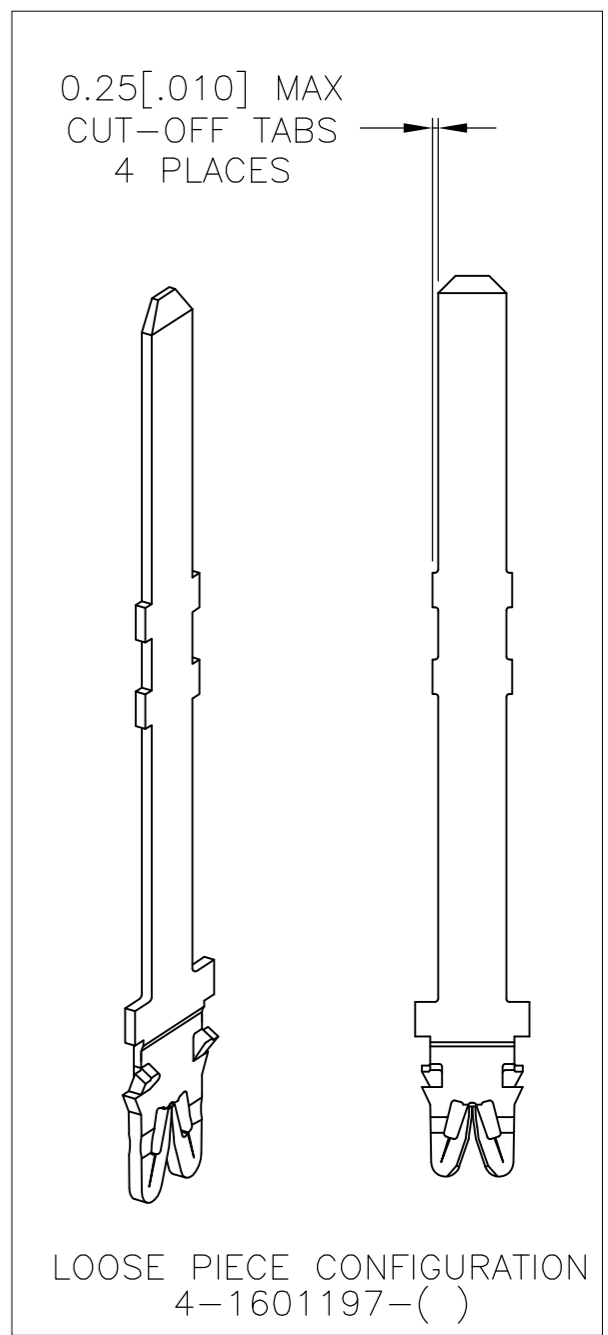


THIS DRAWING IS UNPUBLISHED. RELEASED FOR PUBLICATION
 © COPYRIGHT BY TYCO ELECTRONICS CORPORATION. ALL RIGHTS RESERVED.

| LOC | | DIST | | REVISIONS | | | |
|-----|-----|-------------|--|---------------------------|---------|------|----|
| P | LTR | DESCRIPTION | | DATE | DWN | APVD | |
| | | C2 | | REVISED PER ECR-08-000810 | 22JAN08 | HMR | GJ |



- 1 SPECIFICATIONS: MAGNET WIRE 34#-18# AWG 0.16-0.40 [.006-.040]Inch DIA COPPER.
- 2 POCKET RECOMMENDATION: 1601474
- 3 PRELIMINARY - NOT FOR PRODUCTION.
- 4 TERMINAL APPLICATION TO COMPLY WITH TYCO ELECTRONICS SPECIFICATION 114-13166 FIGURE 7.



| | |
|---------------|-------------|
| PRE TIN PLATE | 4-1601197-2 |
| PRE TIN PLATE | 2-1601197-2 |
| PRE TIN PLATE | 3 1601197-2 |
| FINISH | PART NUMBER |

| | | | | |
|--|--|---|--|--|
| THIS DRAWING IS A CONTROLLED DOCUMENT. | | DWN MICHAEL S. FEHER 02JUN2004 | Tyco Electronics Corporation Harrisburg, PA 17105-3608 | |
| DIMENSIONS: mm [INCHES] | | CHK GENE JACONO 02JUN2004 | NAME | |
| TOLERANCES UNLESS OTHERWISE SPECIFIED: | | APVD GENE JACONO 02JUN2004 | PRODUCT SPEC | |
| 0 PLC ± - | | 108-2085 | | |
| 1 PLC ± 0.25 [.01] | | APPLICATION SPEC | | |
| 2 PLC ± 0.13 [.005] | | 4 | | |
| 3 PLC ± - | | SIZE CAGE CODE DRAWING NO RESTRICTED TO | | |
| 4 PLC ± - | | A2 00779 C=1601197 | | |
| ANGLES ± 2° | | WEIGHT | | |
| MATERIAL BRASS FULL HARD | | FINISH SEE TABLE | | |
| CUSTOMER DRAWING | | SCALE 6:1 SHEET 1 OF 1 REV C2 | | |

单击下面可查看定价，库存，交付和生命周期等信息

[>>TE Connectivity\(泰科\)](#)