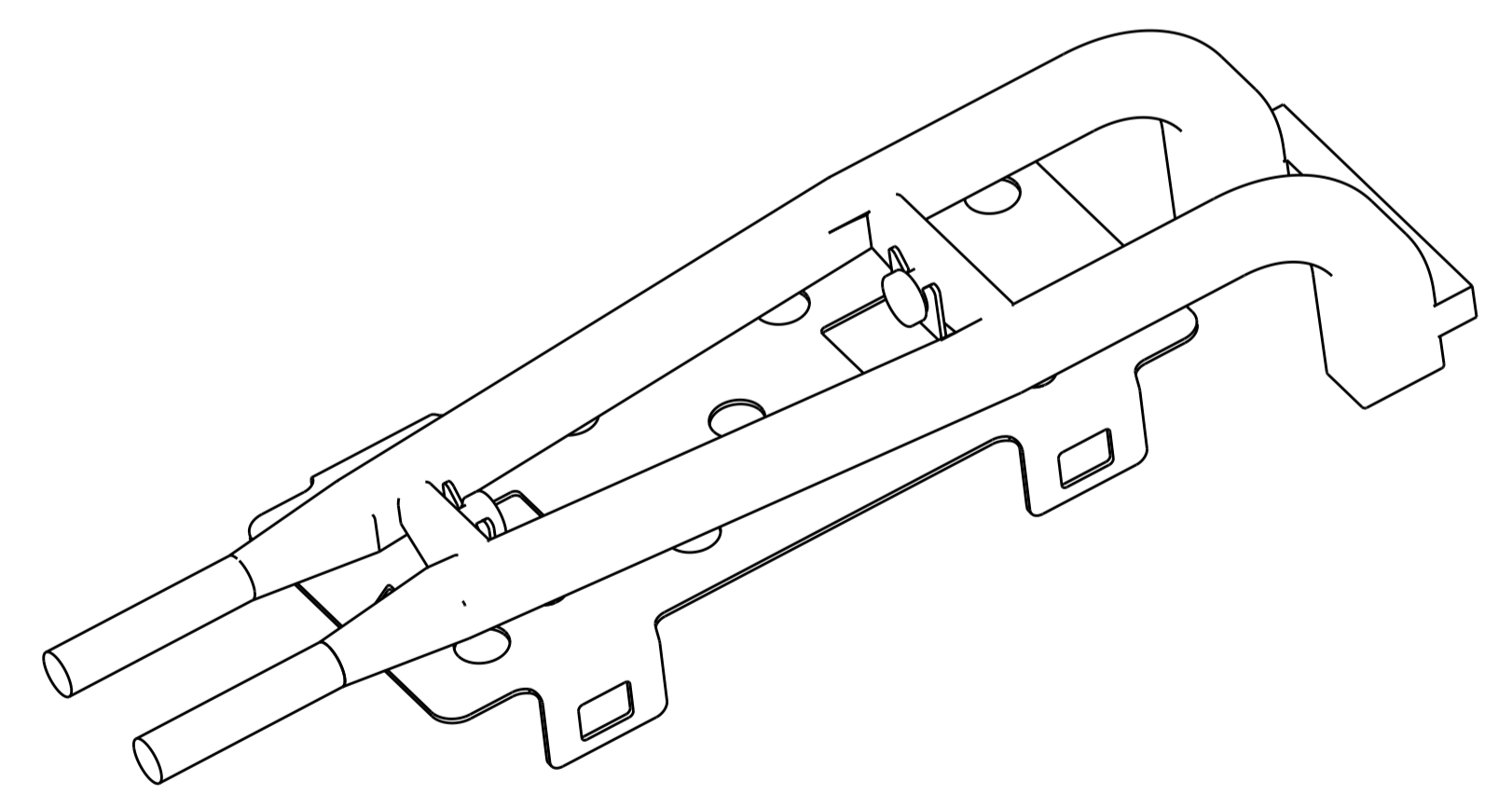
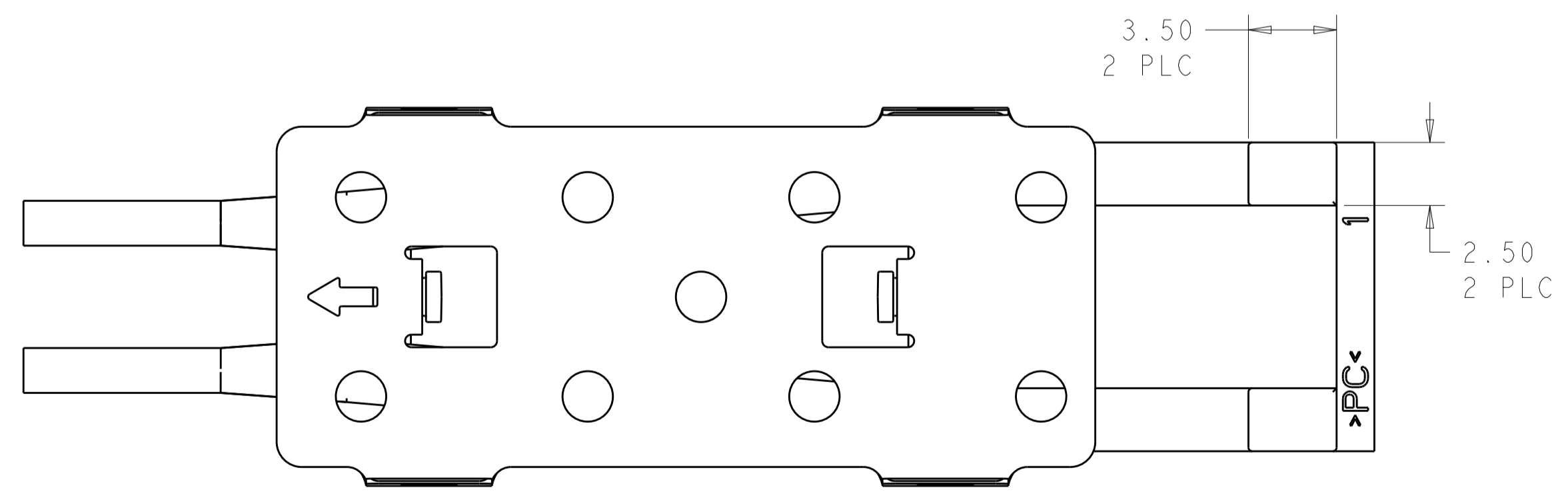
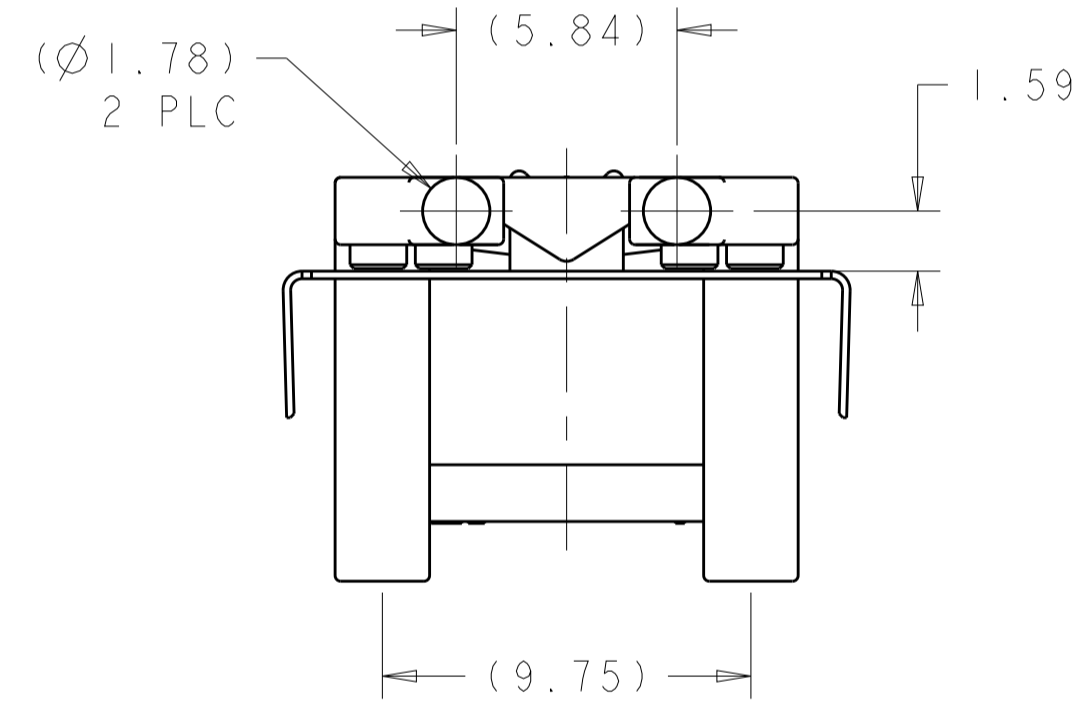
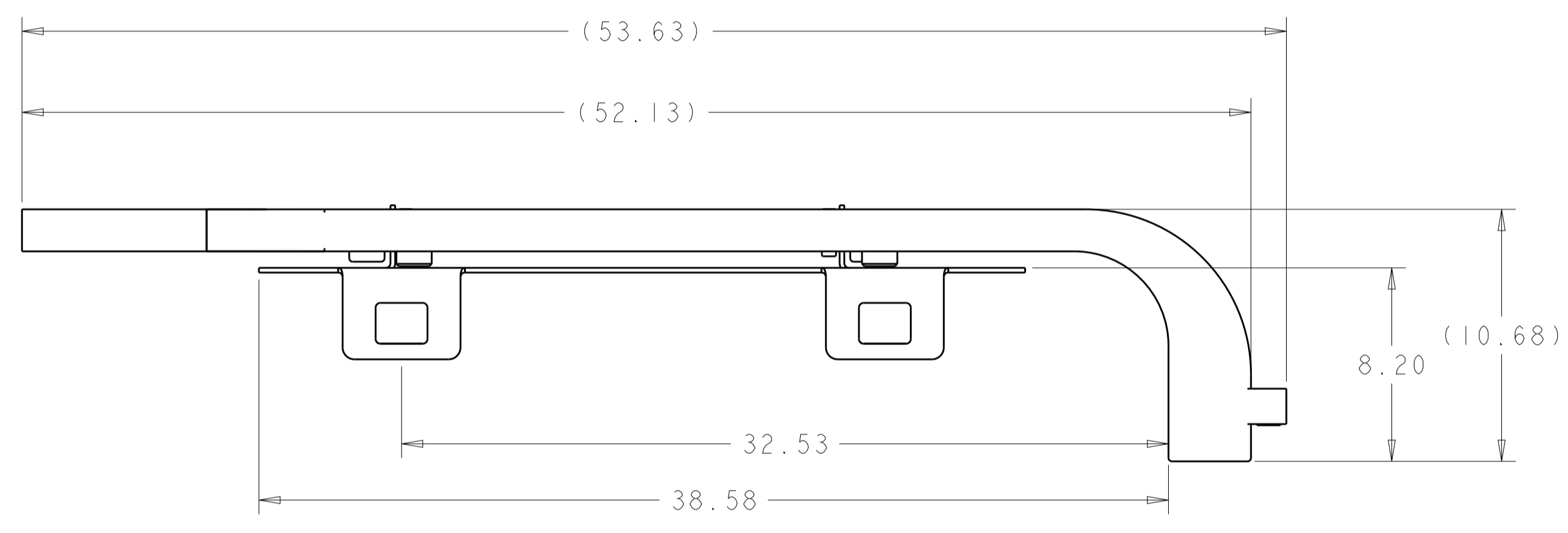
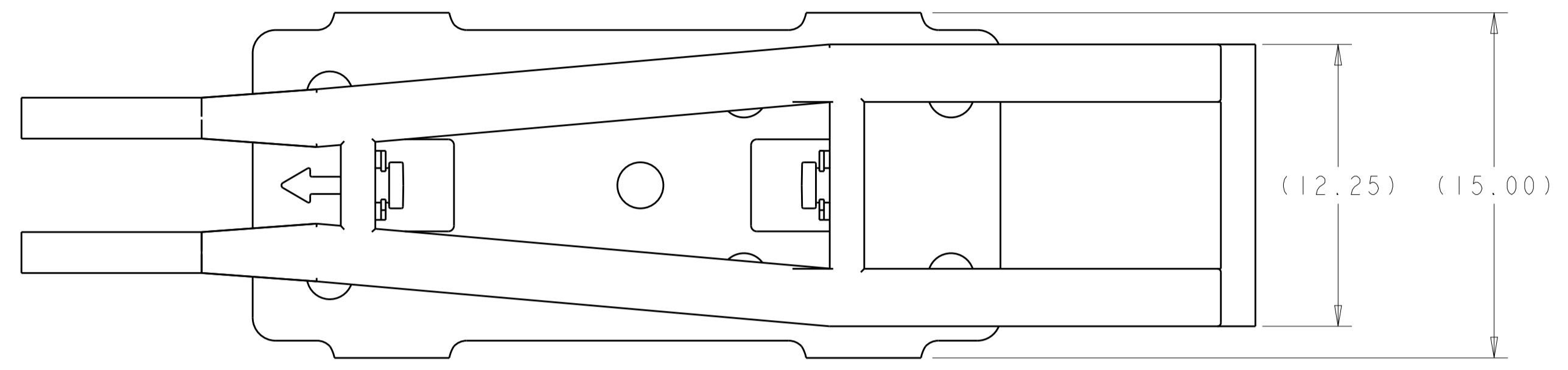


LOC		DIST		REVISIONS			
ES		00		REV	DATE	DWN	APVD
A	RELEASED				26FEB2016	JW	SH



1. MATERIAL:
 LIGHTPIPE: POLYCARBONATE, CLEAR
 LIGHTPIPE BRACKET: STAINLESS STEEL.

2170194-1
 PART NUMBER

THIS DRAWING IS A CONTROLLED DOCUMENT.		DWN: JASON YANG 18NOV2011	TE Connectivity	
DIMENSIONS:		CHK: ALEX CAI 18NOV2011	NAME: HEATSINK SFP DWDM LIGHT PIPE ASSEMBLY FOR IXI SFP	
mm	0 PLC ±	APVD: ALEX CAI 18NOV2011	PRODUCT SPEC	
	1 PLC ±0.2	APPLICATION SPEC		
	2 PLC ±	SIZE: A100779 C=2170194		
	3 PLC ±	RESTRICTED TO		
	4 PLC ±	SCALE: 2:1 SHEET 1 OF 1 REV A		
	ANGLES ±	CUSTOMER DRAWING		
MATERIAL:	FINISH:	WEIGHT:		

单击下面可查看定价，库存，交付和生命周期等信息

[>>TE Connectivity\(泰科\)](#)