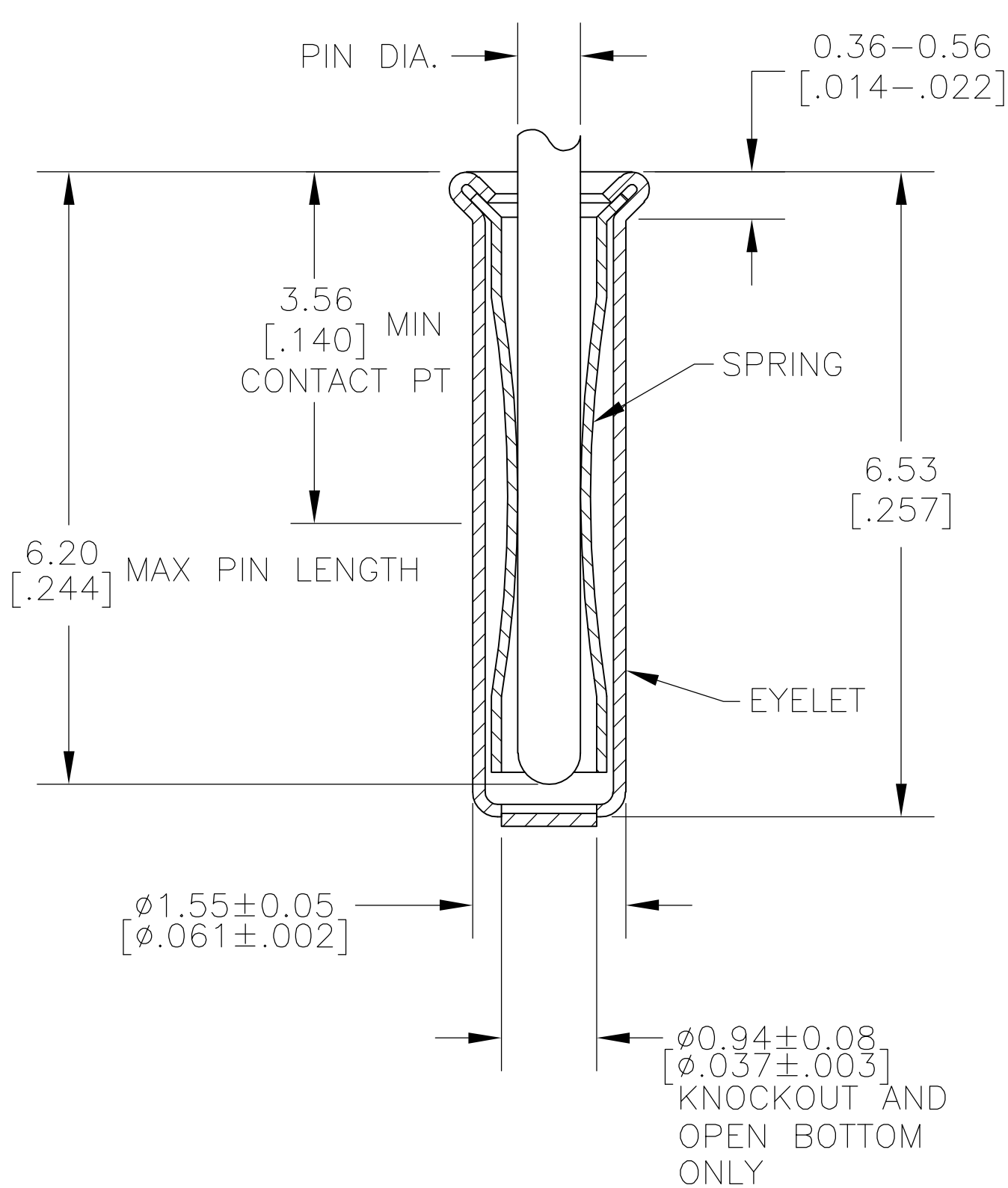
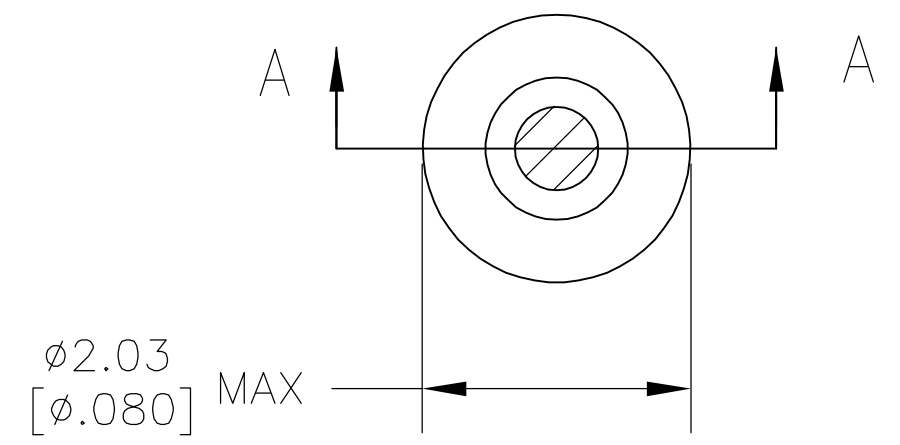


THIS DRAWING IS UNPUBLISHED. RELEASED FOR PUBLICATION
 © COPYRIGHT BY TYCO ELECTRONICS CORPORATION. ALL RIGHTS RESERVED.

LOC	DIST	REVISIONS					
FT	64	P	LTR	DESCRIPTION	DATE	DWN	APVD
		AD1		REV PER ECO-06-018765	13APR07	DH	DB



SECTION A-A

- 1. TIN PER MIL-T-10727 OR TIN LEAD 0.00254 [.000100] MIN THK.
- 2. GOLD PER MIL-G-45204, TYPE II, 0.00076 [.000030] MIN THK OVER NICKEL PER QQ-N-290 0.00028 [.000011] MIN THK ON CONTACT AREA.
- 3. GOLD FLASH PER MIL-G-45204, TYPE II, 0.13 μm [.000005] MIN THK. OVER NICKEL PLATE PER QQ-N-290 0.51 μm -1.52 μm [.000020-.000060] EXT THK.
- 4. TIN PER MIL-T-10727 OR TIN LEAD 0.00381 [.000150] MIN THK.
- 5. RECOMMENDED HOLE SIZE, PLATED OR UNPLATED:
 MACHINE INSERTION: 1.57 $\begin{matrix} +0.10 \\ -0.08 \end{matrix}$ [.062 $\begin{matrix} +.004 \\ -.003 \end{matrix}$]
 HAND INSERTION: 1.60 $\begin{matrix} +0.10 \\ -0.00 \end{matrix}$ [.063 $\begin{matrix} +.004 \\ -.000 \end{matrix}$]
- 6. APPLICATION TOOL PART NUMBER: MACHINE NO. 682127-4
 INSERTION HEAD NO. 682039-3
- 7. TO INSURE PROPER SPRING TENSION DO NOT EXCEED A 0.05 [.002] DIFFERENCE IN PIN DIA WHEN CHANGING TO A SMALLER PIN.
- 8. BOTTOM PLUG KNOCKOUT TOOL PART NUMBER 69729 WITH TIP PART NUMBER 69728-1.
- 9. MATERIAL: SPRING: BERYLLIUM COPPER QQ-C-533
 EYELET: COPPER, QQ-C-576

SUPERSEDED BY 50864-1	CLOSED	0.66-0.84 [.026-.033]	TIN 1	GOLD 2	1-50864-5	
	OBSOLETE				1-50864-3	
	OBSOLETE		OPEN	TIN 1	TIN 1	50864-8
	OBSOLETE		KNOCKOUT			50864-7
			CLOSED			50864-6
	OBSOLETE		OPEN			50864-5
	OBSOLETE		KNOCKOUT			50864-4
	OBSOLETE		CLOSED			50864-3
						50864-1
						50864
BOTTOM TYPE	RECOMMENDED PIN DIA 9		EYELET FINISH	SPRING FINISH	PART NO	

THIS DRAWING IS A CONTROLLED DOCUMENT.		DWN	4-5-91	tyco Electronics		Tyco Electronics Corporation Harrisburg, Pa 17105-3608	
DIMENSIONS: mm [INCHES]		CHK	R.TALLEY	NAME		MINIATURE SPRING SOCKET ASSEMBLY	
TOLERANCES UNLESS OTHERWISE SPECIFIED:		APVD		PRODUCT SPEC		-	
0 PLC ± -		APPLICATION SPEC		WEIGHT		-	
1 PLC ± -				SIZE		A2	
2 PLC ± -				CAGE CODE		00779	
3 PLC ± 0.20 [.008]				DRAWING NO		C=50864	
4 PLC ± -				RESTRICTED TO		-	
ANGLES ± -				SCALE		20:1	
FINISH				SHEET		1 OF 1	
MATERIAL				REV		AD1	
-				CUSTOMER DRAWING			

单击下面可查看定价，库存，交付和生命周期等信息

[>>TE Connectivity\(泰科\)](#)