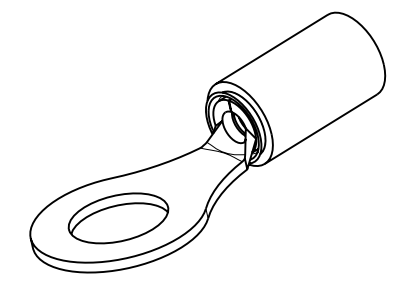
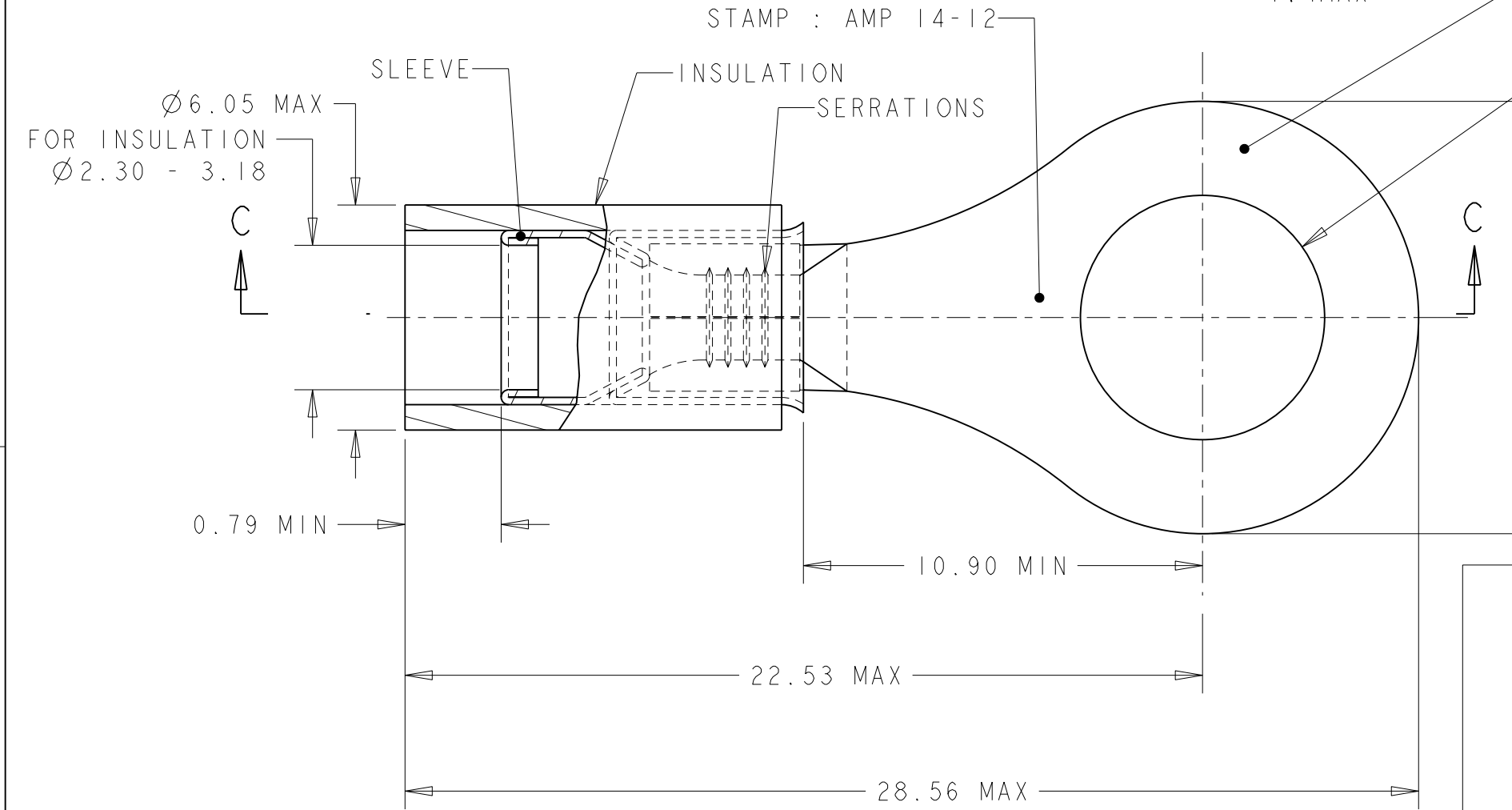
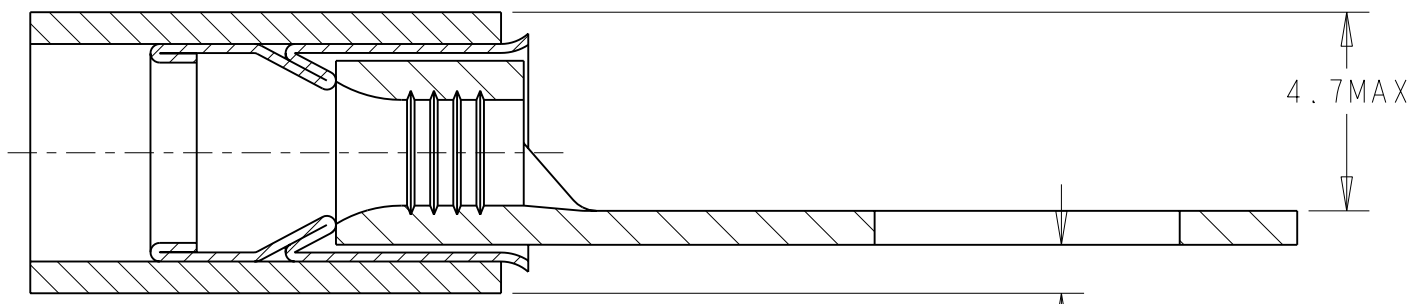


THIS DRAWING IS UNPUBLISHED. RELEASED FOR PUBLICATION 20  
 © COPYRIGHT 20 BY TYCO ELECTRONICS CORPORATION. ALL RIGHTS RESERVED.

| LOC | DIST | REVISIONS   |           |     |      |
|-----|------|-------------|-----------|-----|------|
| P   | LTR  | DESCRIPTION | DATE      | DWN | APVD |
| F   | 00   | B           | 09JUN2006 | JJD | YP   |
|     |      | C           | 29OCT2007 | JT  | GR   |

COUPE C-C



SCALE 2:1

|               |             |  |
|---------------|-------------|--|
| WIRE TERMINAL | 1577641-1   | BODY : COPPER ANNEALED<br>FINISH : NICKEL PLATED   |
|               |             | SLEEVE : COPPER ANNEALED<br>FINISH : NICKEL PLATED |
|               |             | INSULATION : PEEK<br>COLOR : BEIGE                 |
| DESCRIPTION   | PART NUMBER | MATERIAL & FINISH                                  |

|   |  |                  |             |   |
|---|--|------------------|-------------|---|
| <small>THIS DRAWING IS A CONTROLLED DOCUMENT FOR TYCO ELECTRONICS CORPORATION<br/>IT IS SUBJECT TO CHANGE AND THE CONTROLLING ENGINEERING ORGANIZATION<br/>SHOULD BE CONTACTED FOR THE LATEST REVISION.</small> |  | DWN              | 22FEB2006   | <br>Tyco Electronics France SAS<br>95300 Pontoise, France     |
| DIMENSIONS: mm  |  | CHK              | 22FEB2006   |   |
| TOLERANCES UNLESS OTHERWISE SPECIFIED:  |  | APVD             | 22FEB2006   |   |
| 0 PLC ±-<br>1 PLC ±0.3<br>2 PLC ±-<br>3 PLC ±-<br>4 PLC ±-<br>ANGLES ±5<br>FINISH SEE TABLE   |  | NAME             | Y. PETRONIN |   |
| MATERIAL SEE TABLE  |  | PRODUCT SPEC     | 108-15356   | TERMINAL, PEEK PIDG STRATO,<br>14-12 AWG                      |
|   |  | APPLICATION SPEC | 114-15102   | SIZE CAGE CODE DRAWING NO RESTRICTED TO<br>A3 00779 C=1577641 |
|   |  | WEIGHT           | 1,54 gr     | SCALE 6:1 SHEET 1 OF 1 REV C                                  |
|   |  | CUSTOMER DRAWING |             |   |

单击下面可查看定价，库存，交付和生命周期等信息

[>>TE Connectivity\(泰科\)](#)