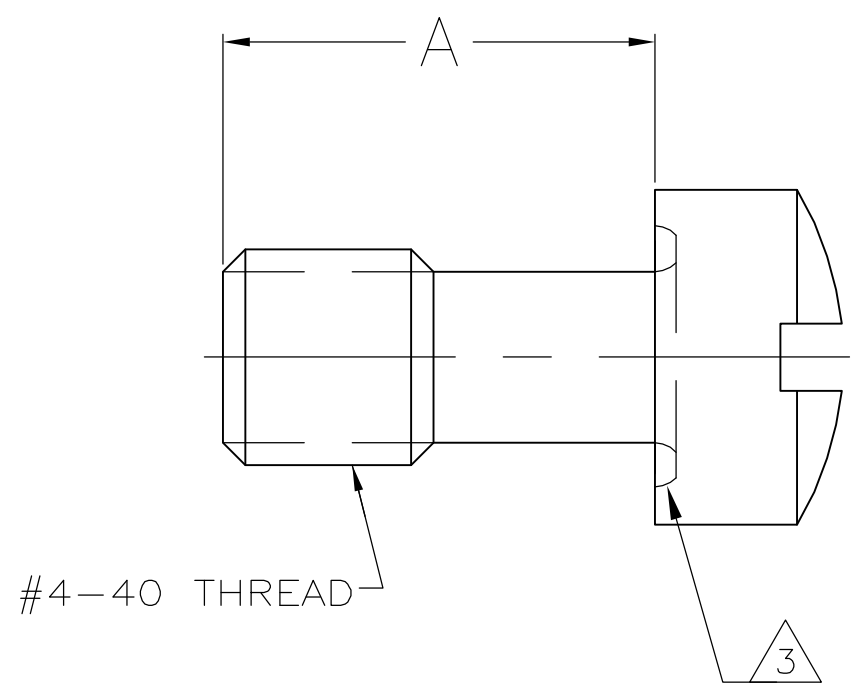


THIS DRAWING IS UNPUBLISHED. RELEASED FOR PUBLICATION
 © COPYRIGHT BY TYCO ELECTRONICS CORPORATION. ALL RIGHTS RESERVED.

LOC	DIST	REVISIONS					
GP	00	P	LTR	DESCRIPTION	DATE	DWN	APVD
			0	RELEASED PER EC 0S13-0207-05	22JUN05	RR	JG

- ① ZINC PLATED .000200-000400 THICK YELLOW CHROMATE COATING.
- ② ZINC PLATED .000200-.000400 THICK CLEAR CHROMATE COATING.
- ③ UNDERCUT MAY OR MAY NOT BE PRESENT IN THIS AREA.



②	.220±.010	5205979-4
①	.220±.010	5205979-1
FINISH	A	PART NUMBER

THIS DRAWING IS A CONTROLLED DOCUMENT.		DWN R.RICHARDSON 22JUN05	Tyco Electronics Corporation Harrisburg, Pa 17105-3608		
DIMENSIONS: INCHES		CHK C.ROHDE 22JUN05			
TOLERANCES UNLESS OTHERWISE SPECIFIED:		APVD M.WALMSLEY 29JUN05	NAME RETAINER SCREW, AMPLIMITE		
		PRODUCT SPEC	SIZE A300779		
MATERIAL COLD ROLLED STEEL		FINISH SEE TABLE	APPLICATION SPEC	DRAWING NO C-5205979	
		WEIGHT -	RESTRICTED TO -		SCALE 10:1
CUSTOMER DRAWING			SHEET 1 OF 1		REV 0

单击下面可查看定价，库存，交付和生命周期等信息

[>>TE Connectivity\(泰科\)](#)