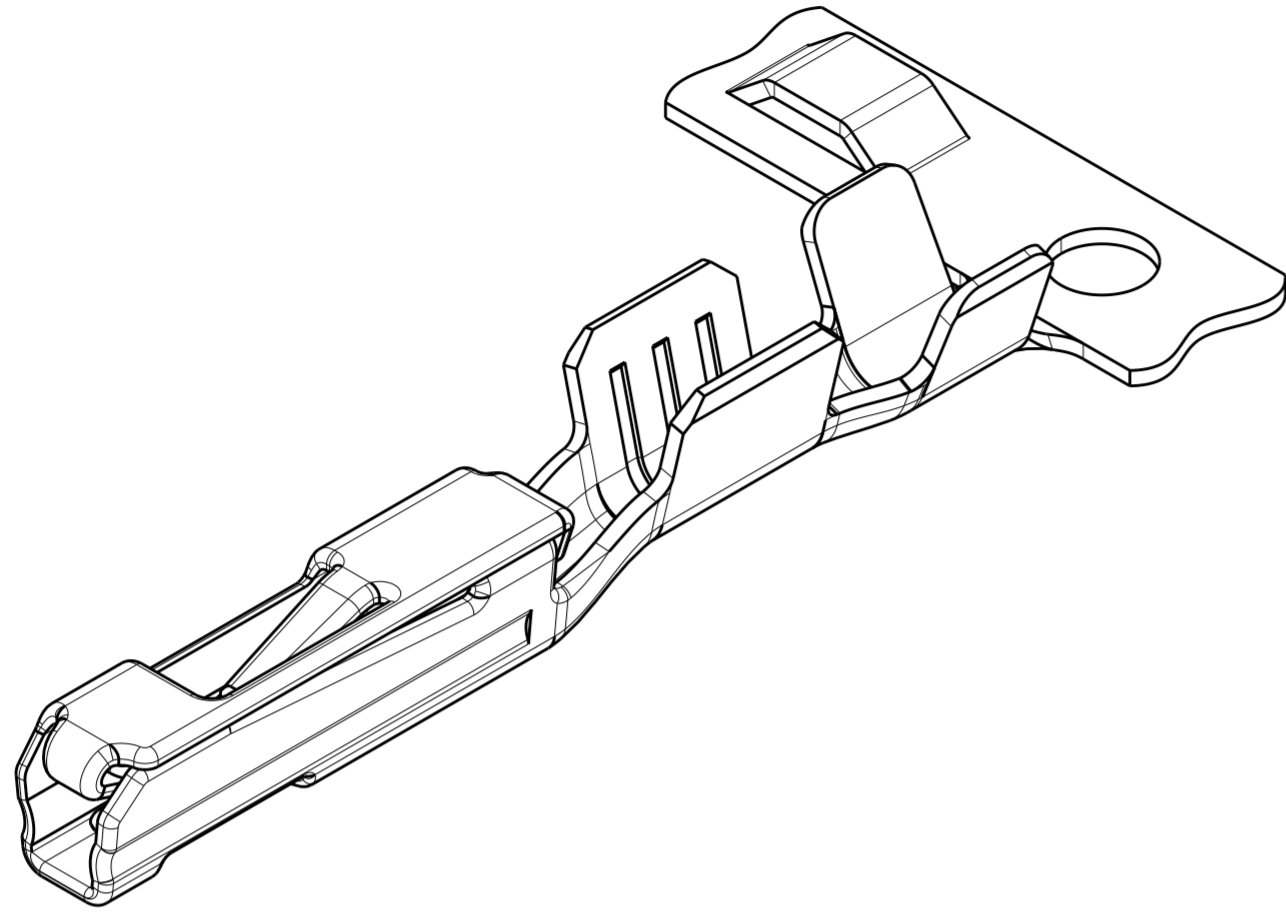


THIS DRAWING IS UNPUBLISHED. RELEASED FOR PUBLICATION 20
 © COPYRIGHT 20 BY - ALL RIGHTS RESERVED.

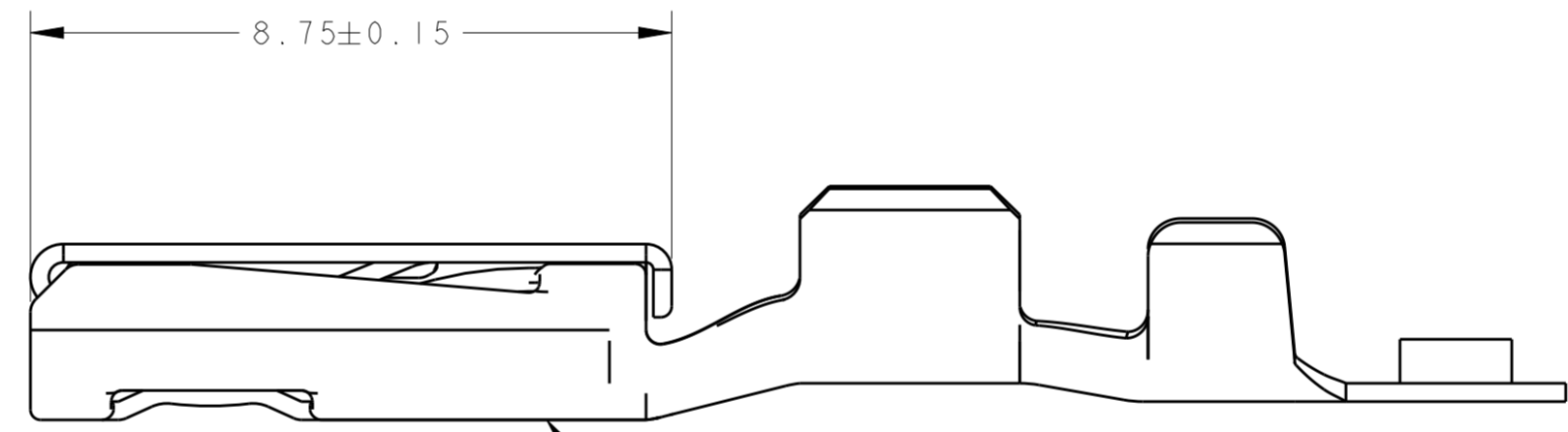
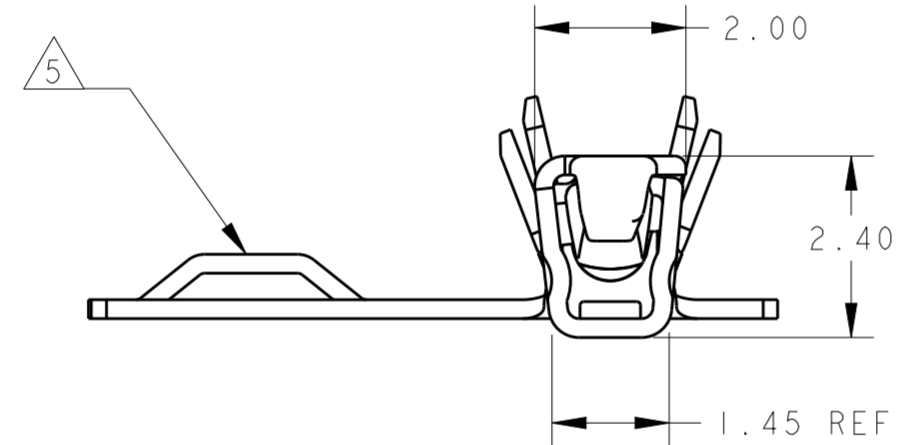
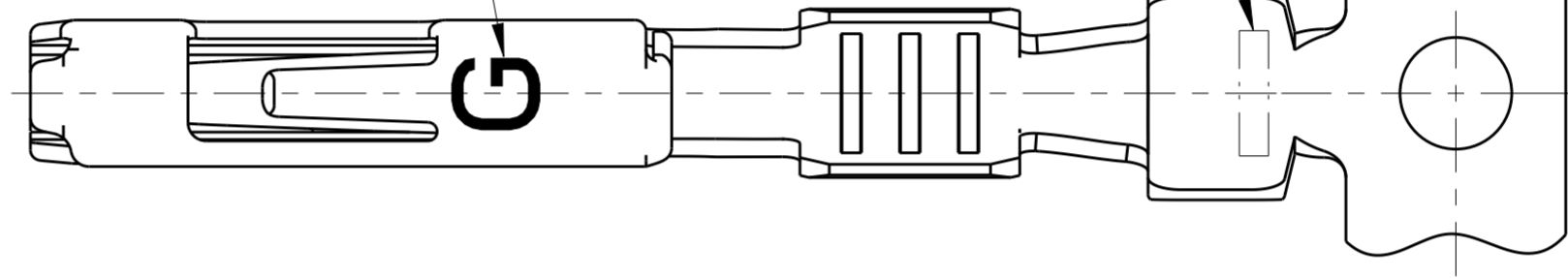
REVISIONS				
P	LTR	DESCRIPTION	DATE	APVD
D		REV PER ECO-20-003456	15APR2020	RGV KF



GOLD INDICATOR
 (ON BOTTOM
 [OPPOSITE SIDE OF BOX]
 CORRECT ORIENTATION)

WEEK CODE
 FAR SIDE

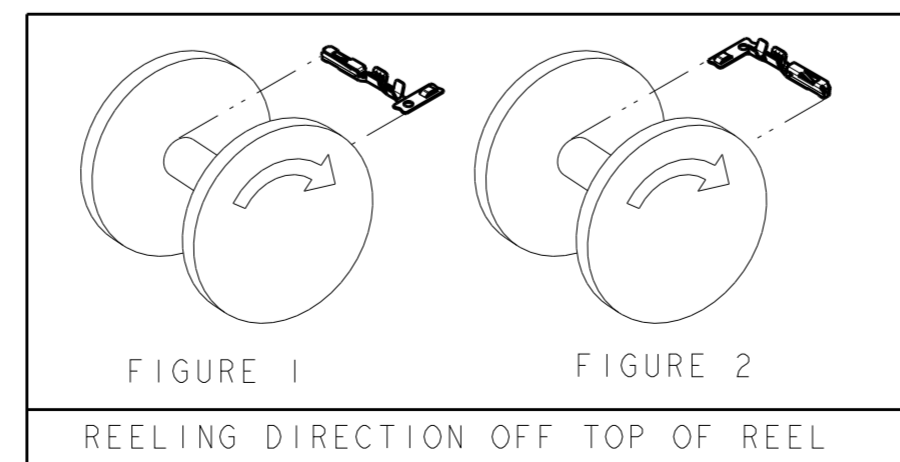
3.00±0.15
 1.50±0.15



SHUNT CONTACT
 PLATING AREA

- 1 FINISH: PLATED 0.00076 MIN THICK GOLD IN MATING AREA WITH 0.0025 MIN THICK TIN IN WIRE CRIMP AREA, ALL OVER 0.002 MIN THICK NICKEL,
- 2 FINISH: PLATED 0.00076 MIN THICK GOLD IN MATING AREA, PLATED 0.00038 MIN THICK GOLD IN SHUNT CONTACT PLATING AREA WITH 0.0025 MIN THICK TIN IN WIRE CRIMP AREA, ALL OVER 0.002 MIN THICK NICKEL.
- 3. NOTE DELETED.
- 4 PART LUBRICATED WITH CHEMLUBE 1102
- 5 FEATURE ON CARRIER STRIP IS RAISED ON GOLD PLATED PRODUCT. FEATURE APPEARS ADJACENT TO EVERY OTHER CONTACT MIN.
- 6 SEE FIGURE 1 FOR REELING DIRECTION.
- 7 SEE FIGURE 2 FOR REELING DIRECTION.
- 8. FOR LEVER ASSISTED CONNECTORS WITH SIDE SLIDE ACTION THE ALLOWABLE WIRE BRUSH LENGTH RANGE IS 0.10-0.70MM.

REELING	LUBRICATION	FINISH	WIRE SIZE	PART NUMBER
7	4	2	22	1326028-8
			18-20	1326028-7
6	4	1	22	1326028-6
			18-20	1326028-5
6	4	2	22	1326028-4
			18-20	1326028-3
6	4	1	22	1326028-2
			18-20	1326028-1



THIS DRAWING IS A CONTROLLED DOCUMENT.

DIMENSIONS: mm	TOLERANCES UNLESS OTHERWISE SPECIFIED:	DWN J. R. SHUEY 02SEP99	 TE Connectivity
0 PLC ±	1 PLC ±	CHK J. M. MYER 02SEP99	
2 PLC ±0.20	3 PLC ±	APVD K. DENLINGER 02SEP99	
4 PLC ±	ANGLES ±3°	PRODUCT SPEC 108-2220	
MATERIAL 0.25 THK COPPER ALLOY	FINISH -	APPLICATION SPEC 114-13006	NAME CONTACT, FEMALE, 0.64mm GOLD PLATED
SEE TABLE		WEIGHT -	SIZE A20779 CAGE CODE G-1326028
		Customer Drawing	RESTRICTED TO -
		SCALE 10:1	SHEET 1 OF 1 REV D

单击下面可查看定价，库存，交付和生命周期等信息

[>>TE Connectivity\(泰科\)](#)