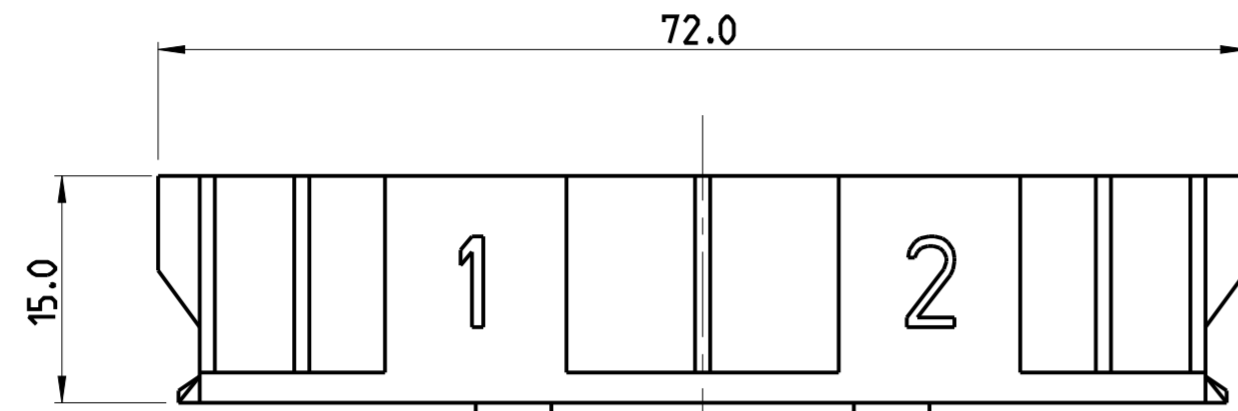
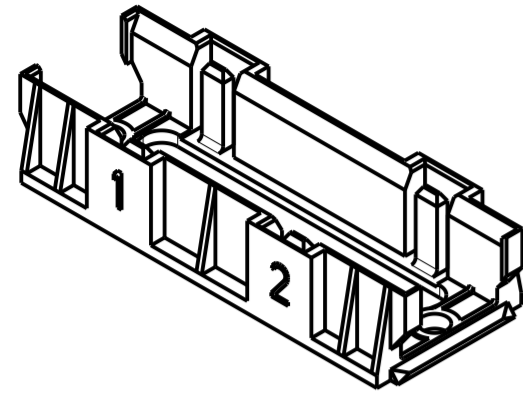


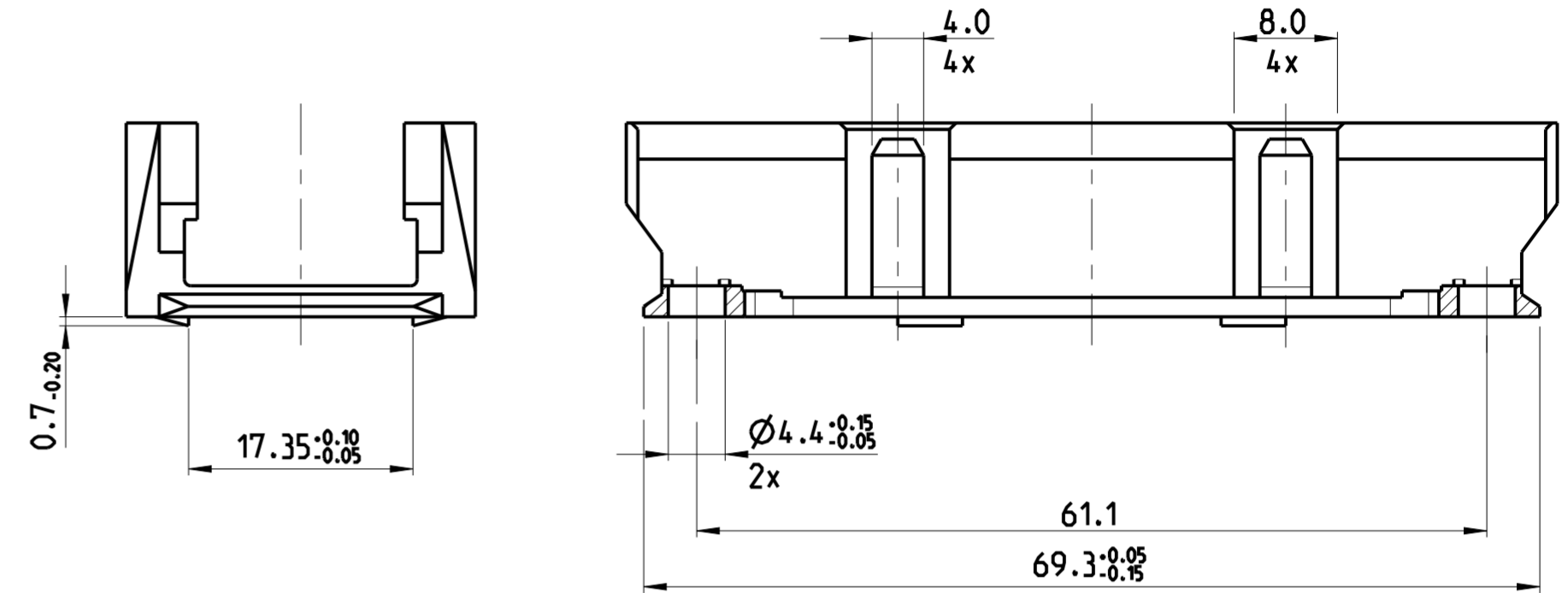
THIS DRAWING IS UNPUBLISHED. RELEASED FOR PUBLICATION 20  
 © COPYRIGHT 20 BY - ALL RIGHTS RESERVED.

REVISIONS				
P	LTR	DESCRIPTION	DATE	APVD
C		REDRAWN IN CAD CLARIFICATION	27NOV2014	JT YP

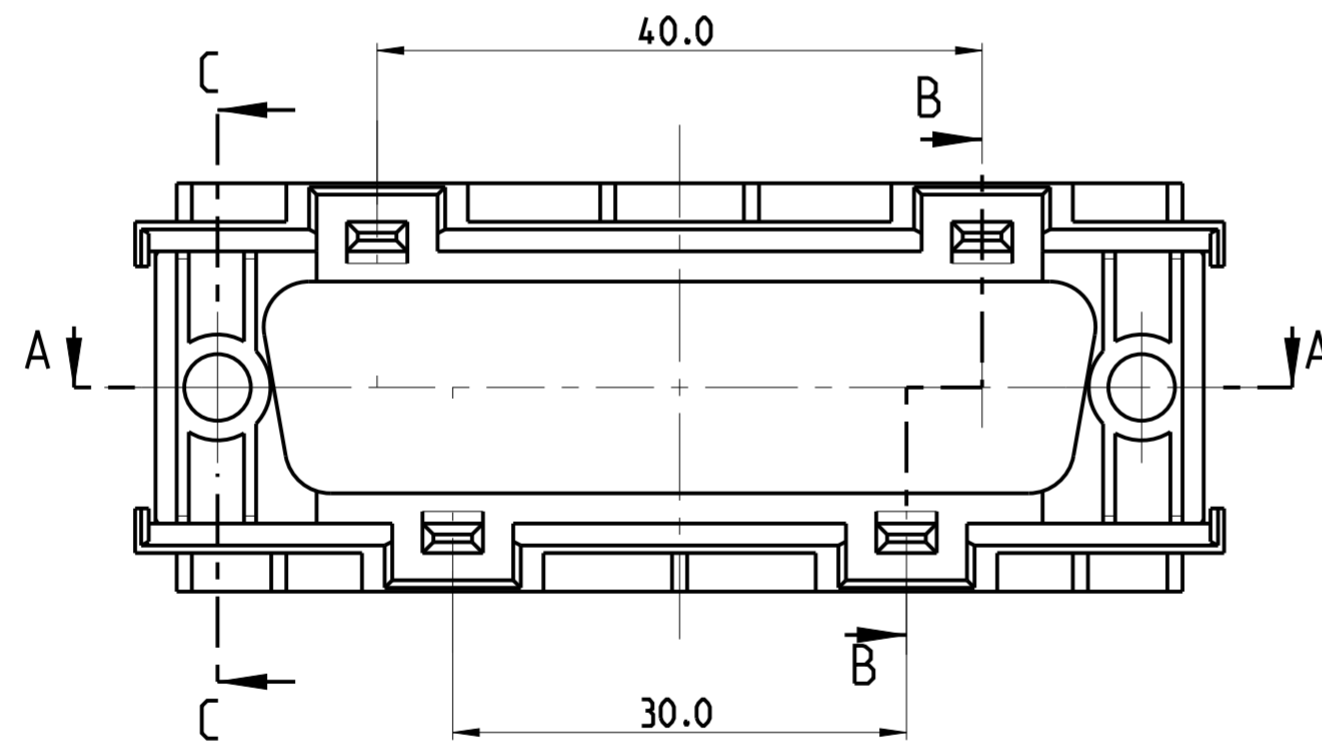
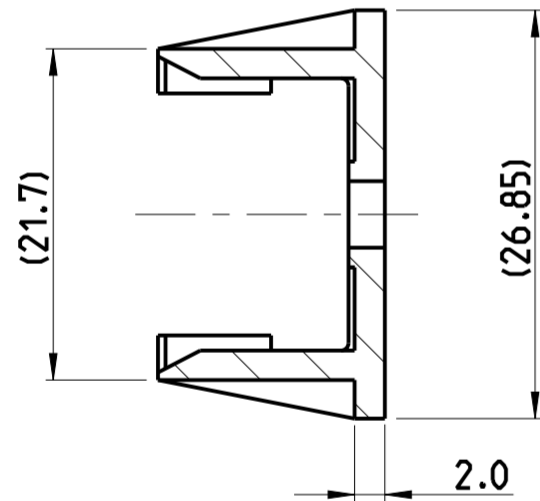
SCALE 1:1



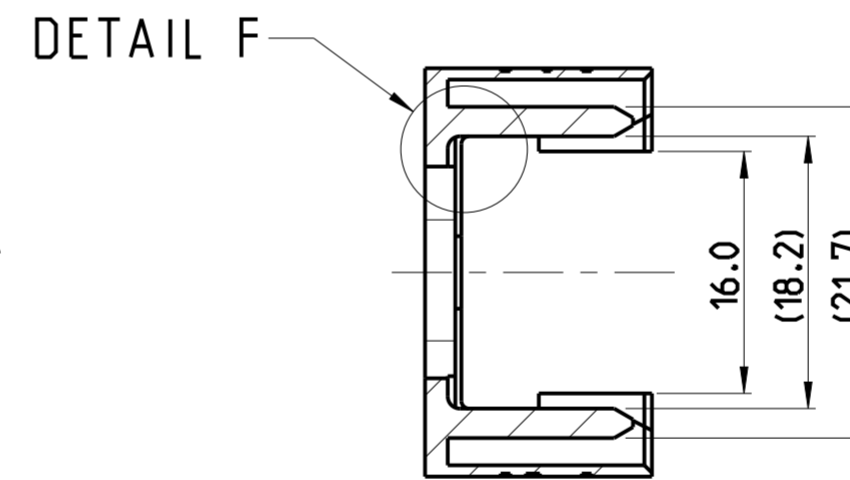
SECTION A-A



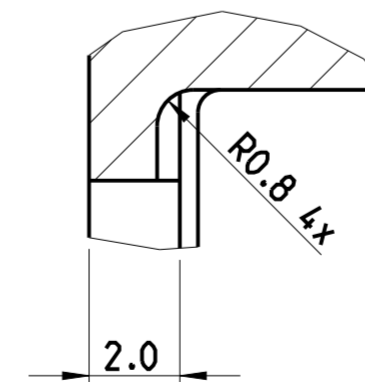
SECTION C-C



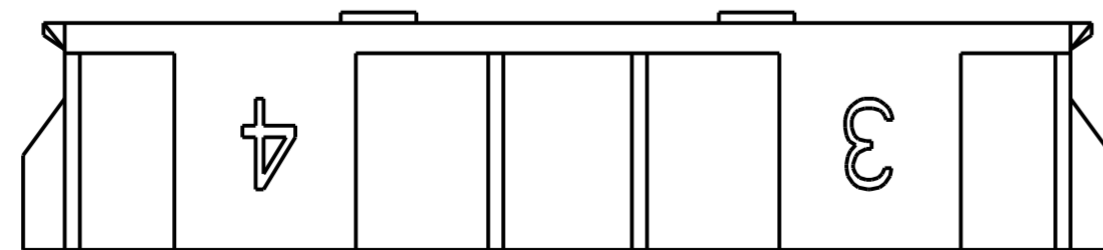
SECTION B-B



DETAIL F  
SCALE 6:1



1. MATERIAL : GLASS-FILLED PPS. DIC FZ-1140-D5. BLACK - SCHWARTZ
2. 25 PIECES PACKED IN PLASTIC BAG, PROVIDED WITH PART-NO.  
25 TEILE IN PLASTIKBEUTEL VERPACKT, MIT BESTELL-NR. VERSEHEN



928435-1  
PART NUMBER

THIS DRAWING IS A CONTROLLED DOCUMENT.		DWN J.THUEZ 25NOV2014	TE Connectivity	
DIMENSIONS: mm		CHK Y.PETRONIN 25NOV2014		
TOLERANCES UNLESS OTHERWISE SPECIFIED:		APVD Y.PETRONIN 25NOV2014	NAME KEYING FRAME FOR AMPLIMITE HD-SERIES - SIZE 5	
0 PLC ±0.2		PRODUCT SPEC 108-18048	SIZE A2	
1 PLC ±0.2		APPLICATION SPEC 114-18047	CAGE CODE -	DRAWING NO 928435
2 PLC ±		WEIGHT 9g	RESTRICTED TO -	SCALE 2:1
3 PLC ±		Customer Drawing	SHEET 1 OF 1	REV C
4 PLC ±				
ANGLES ±1°				
FINISH -				
MATERIAL SEE NOTE				

单击下面可查看定价，库存，交付和生命周期等信息

[>>TE Connectivity\(泰科\)](#)