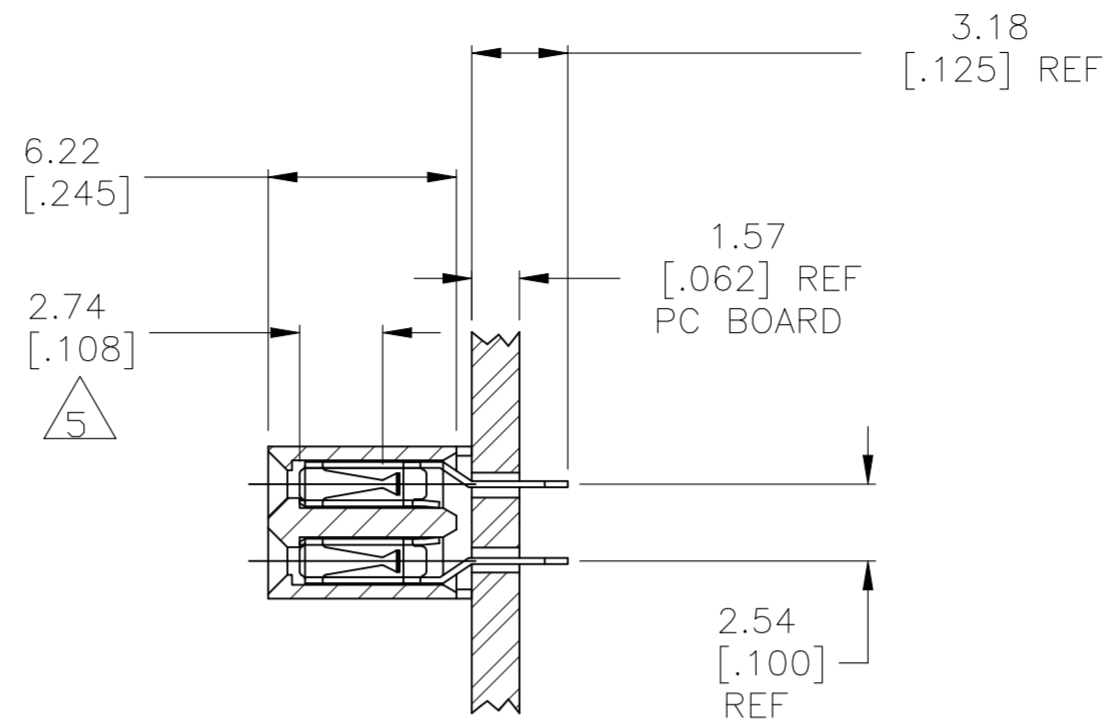
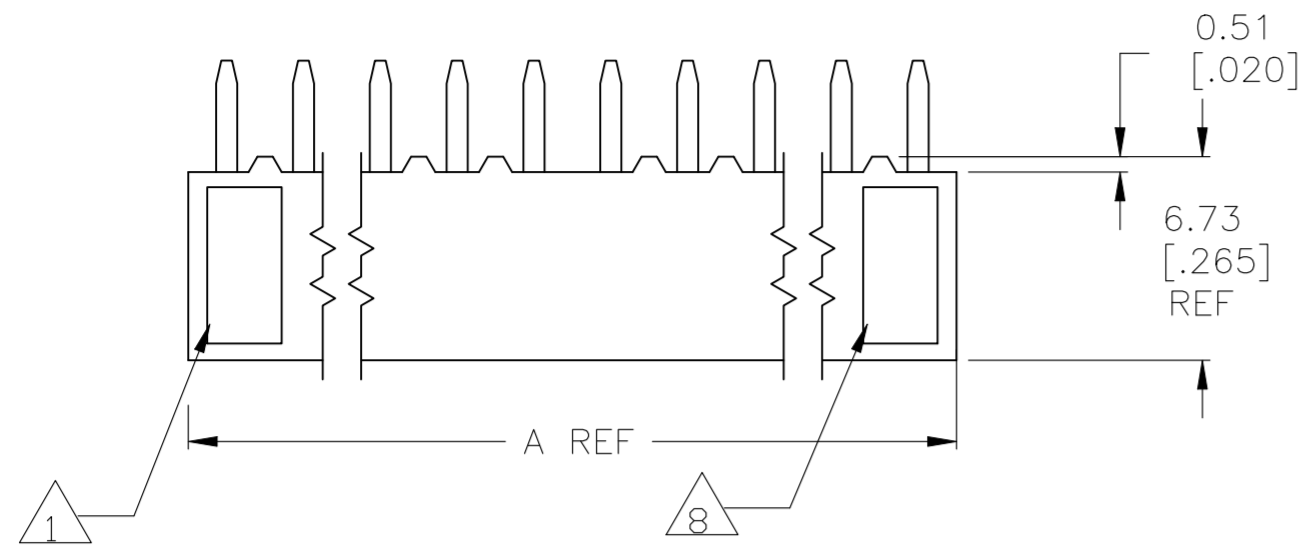
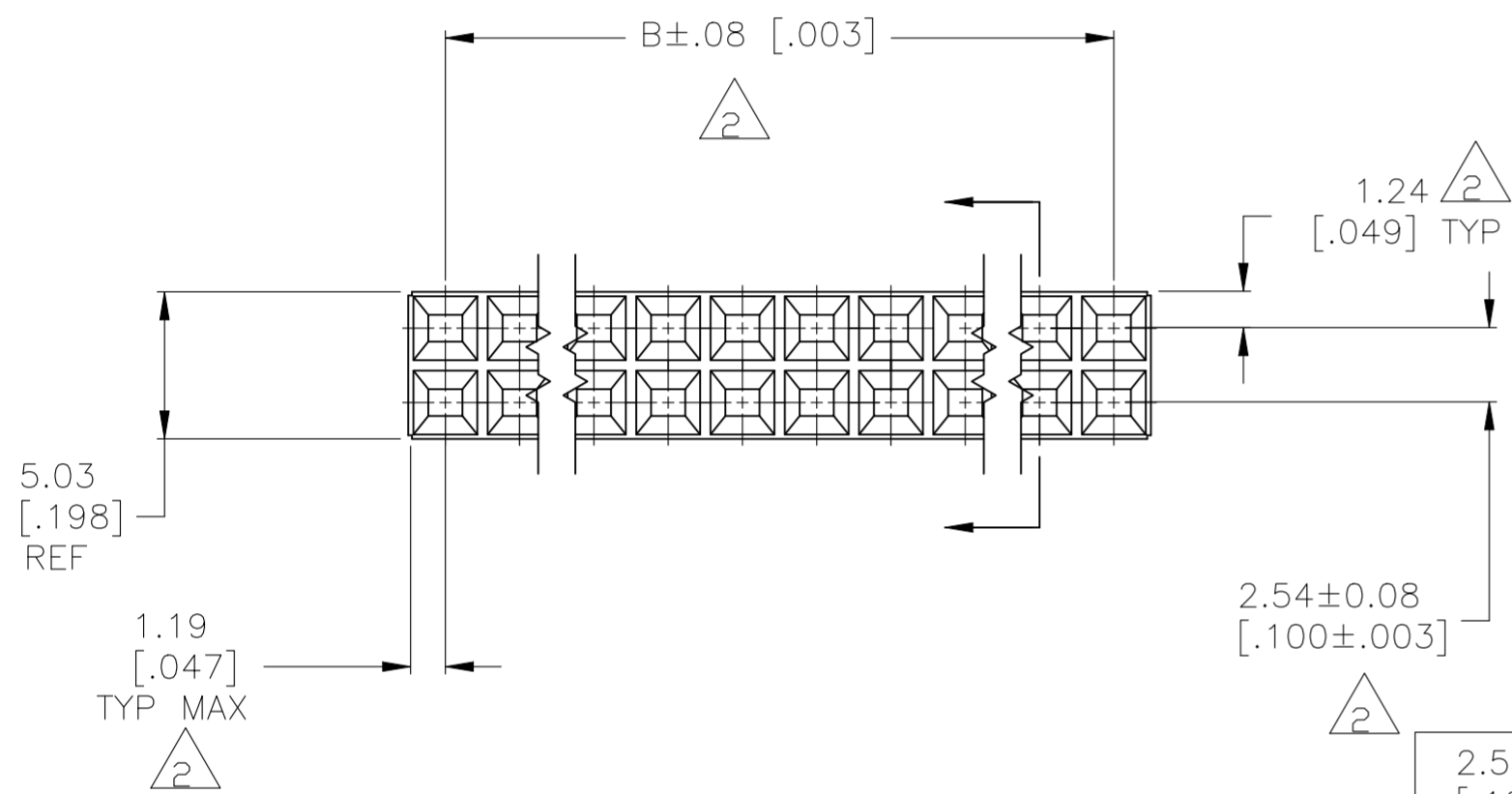


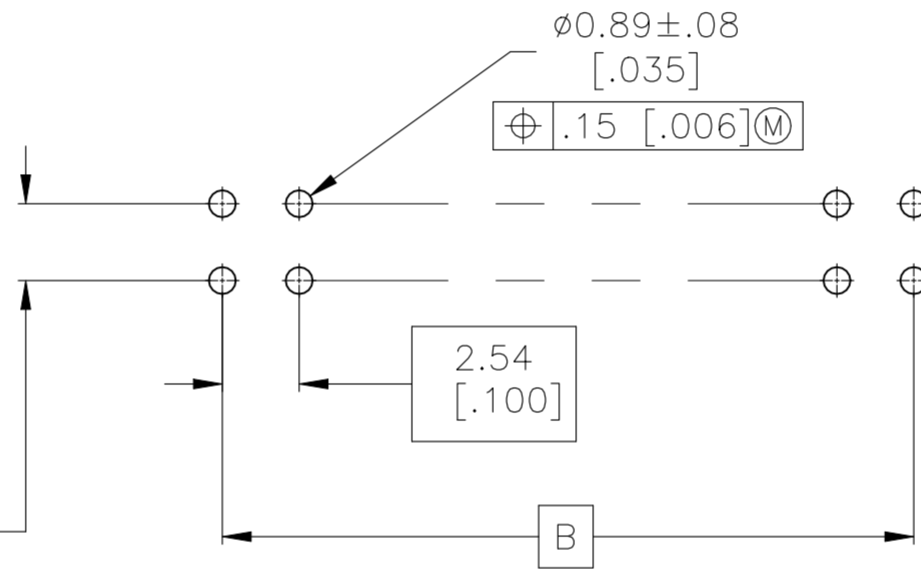
REVISIONS				
P	LTR	DESCRIPTION	DATE	APVD
H		RESIN SUPPLIER CHANGE FOR THE HOUSING	02DEC2021	SCB KJK



14 OBSOLETE PARTS



SECTION X-X



RECOMMENDED PC BD LAYOUT

14	9	35.56 [1.400]	37.97 [1.495]	30	10	5-146219-8
14	9	27.94 [1.100]	30.35 [1.195]	24	10	5-146219-7
14	9	99.06 [3.900]	101.47 [3.995]	80	10	5-146219-6
14	9	73.66 [2.900]	76.07 [2.995]	60	10	5-146219-5
14	9	48.26 [1.900]	50.67 [1.995]	40	10	5-146219-4
14	9	22.86 [.900]	25.27 [.995]	20	10	5-146219-3
11	9	10.16 [.400]	12.57 [.495]	10	10	5-146219-2
14	12	-	2.41 [.095]	2	10	5-146219-1
13	4	35.56 [1.400]	37.97 [1.495]	30		146219-8
13	4	27.94 [1.100]	30.35 [1.195]	24		146219-7
13	4	99.06 [3.900]	101.47 [3.995]	80		146219-6
13	4	73.66 [2.900]	76.07 [2.995]	60		146219-5
13	4	48.26 [1.900]	50.67 [1.995]	40		146219-4
	4	22.86 [.900]	25.27 [.995]	20		146219-3
	4	10.16 [.400]	12.57 [.495]	10		146219-2
13	12	-	2.41 [.095]	2		146219-1
FINISH		B	A	NO OF POSN	PART NUMBER	

- 1 DATE CODE AND PART NUMBER ARE MARKED IN APPROXIMATE LOCATION SHOWN.
- 2 THESE DIMENSIONS PERTAIN TO CAVITY CENTERLINES ONLY, NOT TO CONTACT LOCATIONS
- 3 TOLERANCE IS NON-CUMULATIVE
- 4 DUPLEX PLATED: .000030 GOLD ON CONTACT AREA ONLY, .000150-.000300 BRIGHT TIN-LEAD ON SOLDER LEADS, ALL OVER .000050 MIN NICKEL.
- 5 POINT OF MEASUREMENT FOR PLATING THICKNESS (INSIDE CONTACT BEAMS)
- 6 HSG: FLAME RETARDANT POLYESTER PCT, COLOR:BLACK
- 7 CONTACT: PHOS. BRONZE
- 8 TE LOGO AND CSA LOGO ARE MOLDED INTO HOUSING.
- 9 DUPLEX PLATED: .000030 GOLD ON CONTACT AREA ONLY, .000150-.000300 MATTE TIN ON SOLDER LEADS, ALL OVER .000050 MIN NICKEL.
- 10 ROHS 2002 /95/EC COMPLIANT.
- 11 NO PART NUMBER MARKING REQUIRED ON THIS PART.
- 12 2 POSITION PART HAS THE DATE CODE OPPOSITE OF TE LOGO.
- 13 OBSOLETE PARTS: OBSOLETE CIS STREAMLINING PER D.RENAUD/D.SINISI

THIS DRAWING IS A CONTROLLED DOCUMENT.		DWN J KNAUB 12-12-94		
DIMENSIONS: mm [INCHES]		CHK A GABANY 12-12-94		
TOLERANCES UNLESS OTHERWISE SPECIFIED:		APVD A GABANY 12-12-94	NAME ASSEMBLY, MOD IV, DBL ROW, .100 X .100 VERTICAL MOUNTED, CLOSED ENTRY	
0 PLC ± -		PRODUCT SPEC	SIZE	
1 PLC ± -		APPLICATION SPEC	CAGE CODE	
2 PLC ± -			DRAWING NO	
3 PLC ± -			RESTRICTED TO	
4 PLC ± -			SCALE	
ANGLES ± -			SHEET	
FINISH		WEIGHT	REV	
MATERIAL		CUSTOMER DRAWING	H	

单击下面可查看定价，库存，交付和生命周期等信息

[>>TE Connectivity\(泰科\)](#)