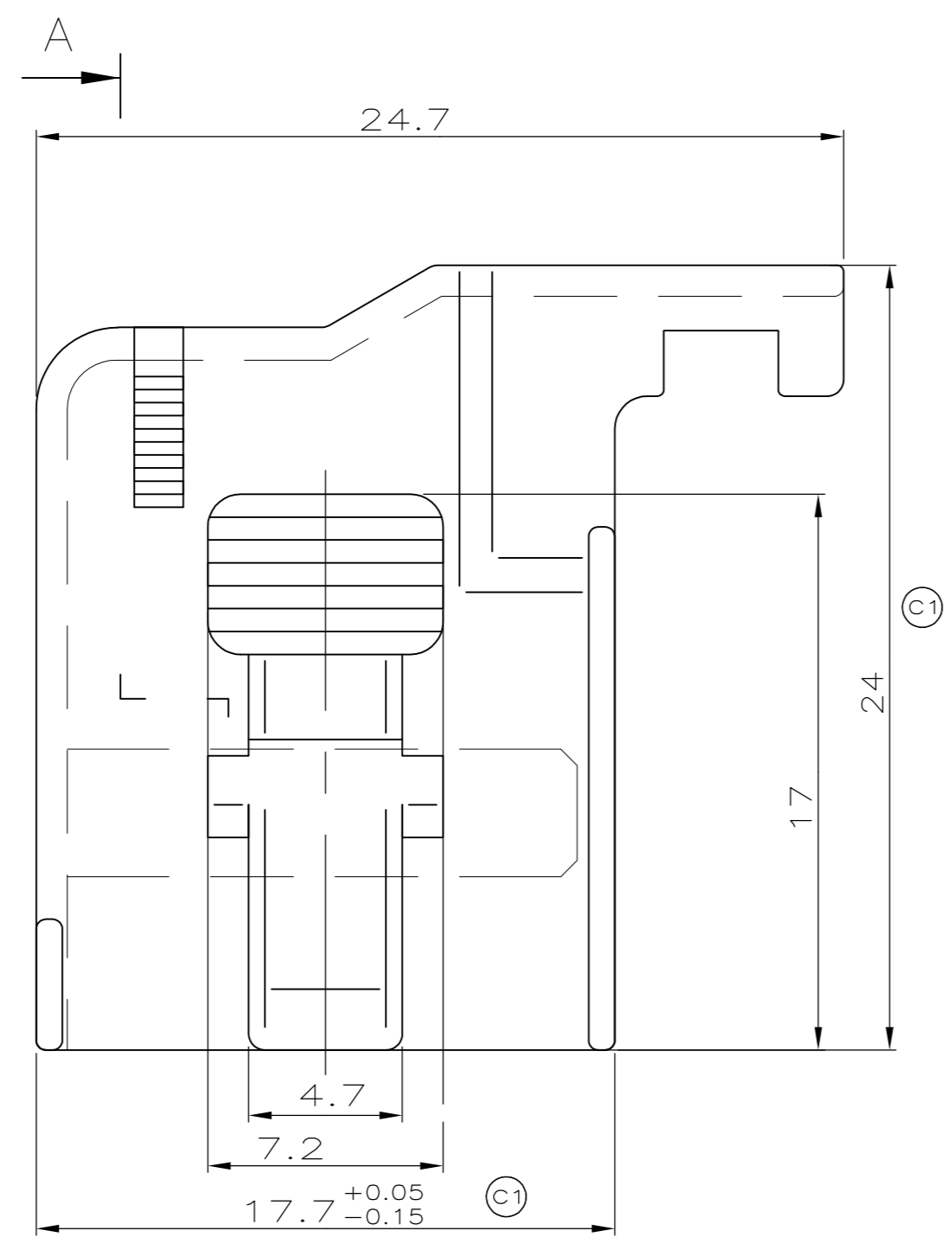
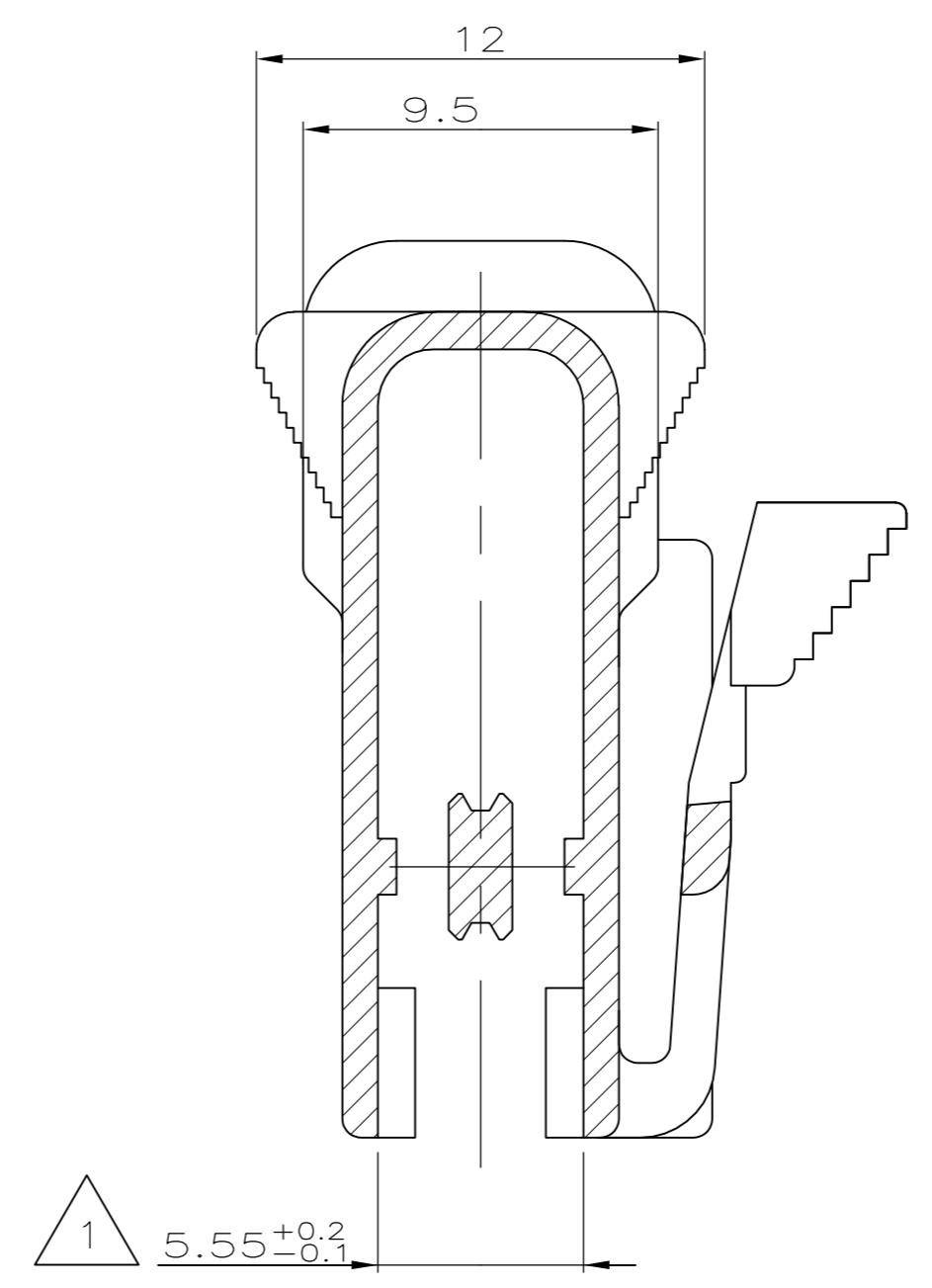


THIS DRAWING IS UNPUBLISHED. RELEASED FOR PUBLICATION
 © COPYRIGHT - By - ALL RIGHTS RESERVED.

LOC		DIST		REVISIONS			
P	LTR	DESCRIPTION		DATE	DWN	APVD	
C2		INCLINATION CHANGED TO 1.5MM [NOTE 1]		18AUG11	MHM	RP	



Schnitt A-D

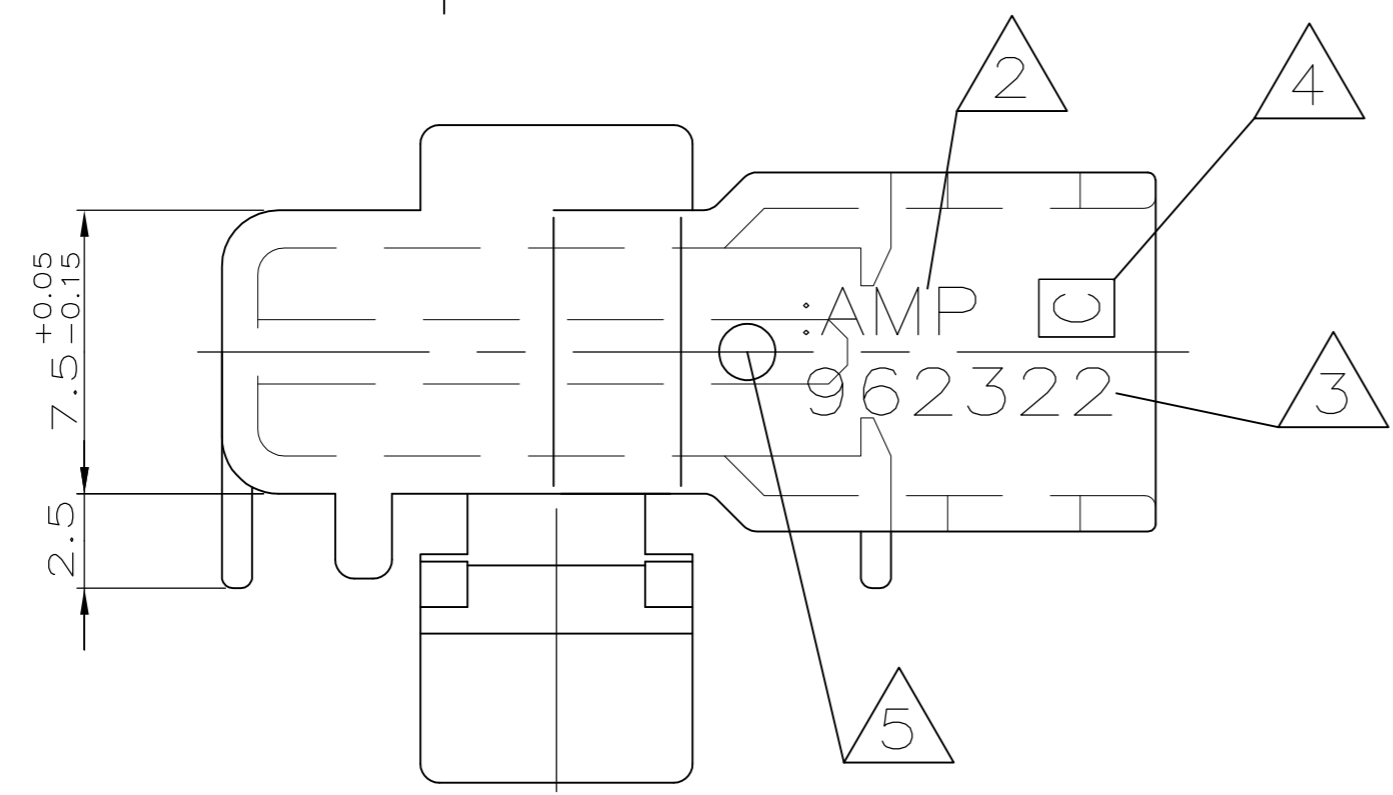


Bemerkungen
NOTES

- 1 Einfall bis 1.5mm zulässig
INCLINATION TO 1.5mm PERMITTED
- 2 AMP-Logo
AMP-LOGO
- 3 TE-Bestell-Nr.
TE ORDER NO.
- 4 Werkzeugänderungsindex
REVISION STATUS OF THE MOULD
- 5 Nestmarkierung
CAVITY MARKING

ONLY FOR OPEL

Muß mit Gehäuse TE-Nr. 0-962321-1 verwendet werden !
 MUST TO BE USED WITH HOUSING TE-NO. 0-962321-1 !



0-962322-1	C	1	1	ABDECKKAPE [COVER]	PA66	SCHWARZ [BLACK]
BESTELL-NR. [ORDER NO.]	REV	POS	STUCK	BENENNUNG EINZELTEIL [DESCRIPTION]	WERKSTOFF [MATERIAL]	OBERFLACHE FARBE [COLOR]

NUMMER	VERWENDET FÜR	WAR NR.
962322	962 231 1-89-52021-2	A89-52023-2

THIS DRAWING IS A CONTROLLED DOCUMENT.

DWN	H.HERRMANN	11.07.89
CHK	D.JAKOBEIT	12.07.89
APVD		
PRODUCT SPEC		
APPLICATION SPEC		
WEIGHT	-	
CUSTOMER DRAWING		

STE TE Connectivity

NAME: COVER FOR 2X6 POS. MODU IV SOCKET HOUSING [ABDECKKAPE FUER 2X6 POL. MODU IV GEHAEUSE]

SIZE	A2	CAGE CODE	00779	DRAWING NO.	C=962322	RESTRICTED TO	-
SCALE	5:1	SHEET	1 of 1	REV	C2		

单击下面可查看定价，库存，交付和生命周期等信息

[>>TE Connectivity\(泰科\)](#)