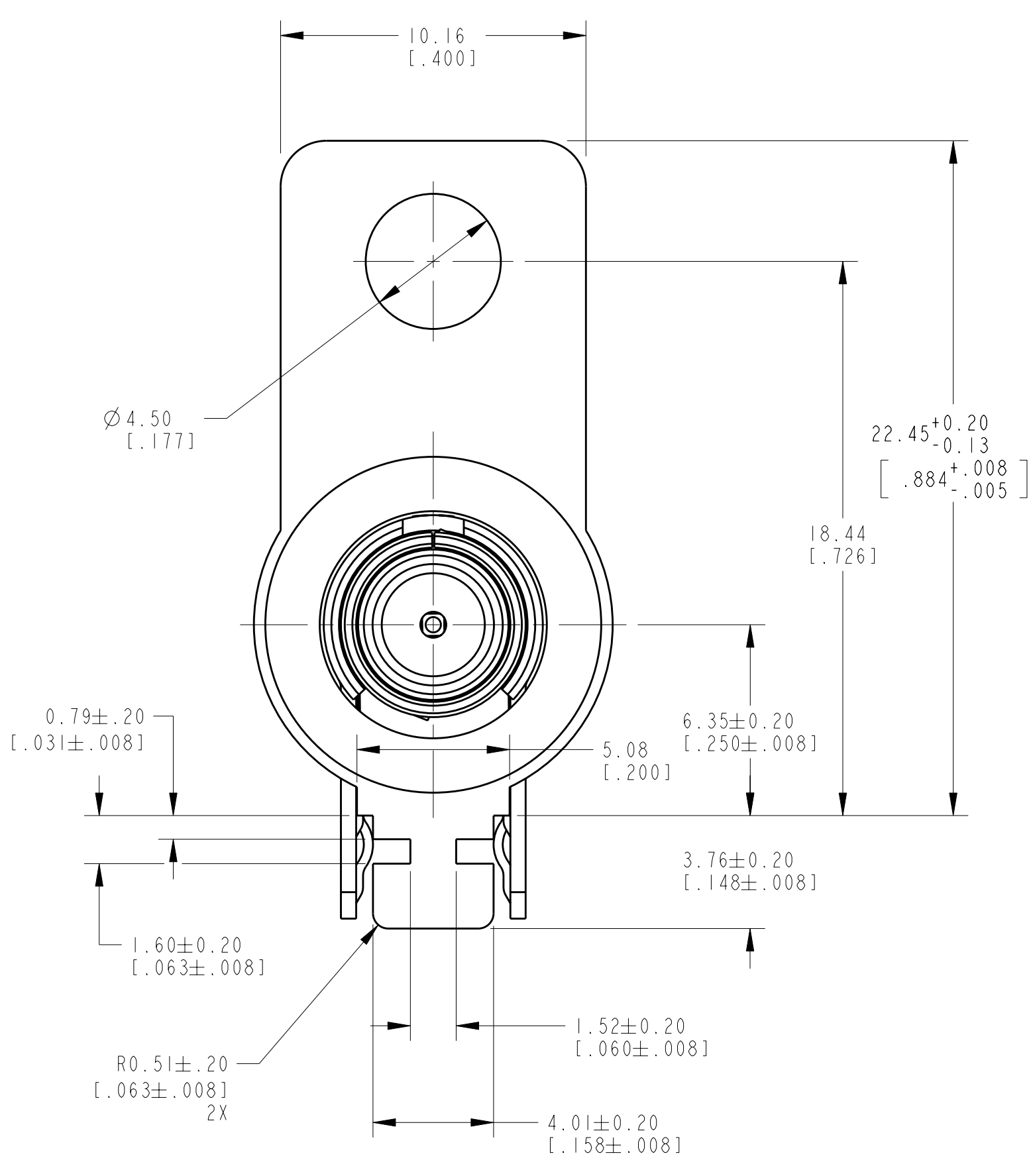
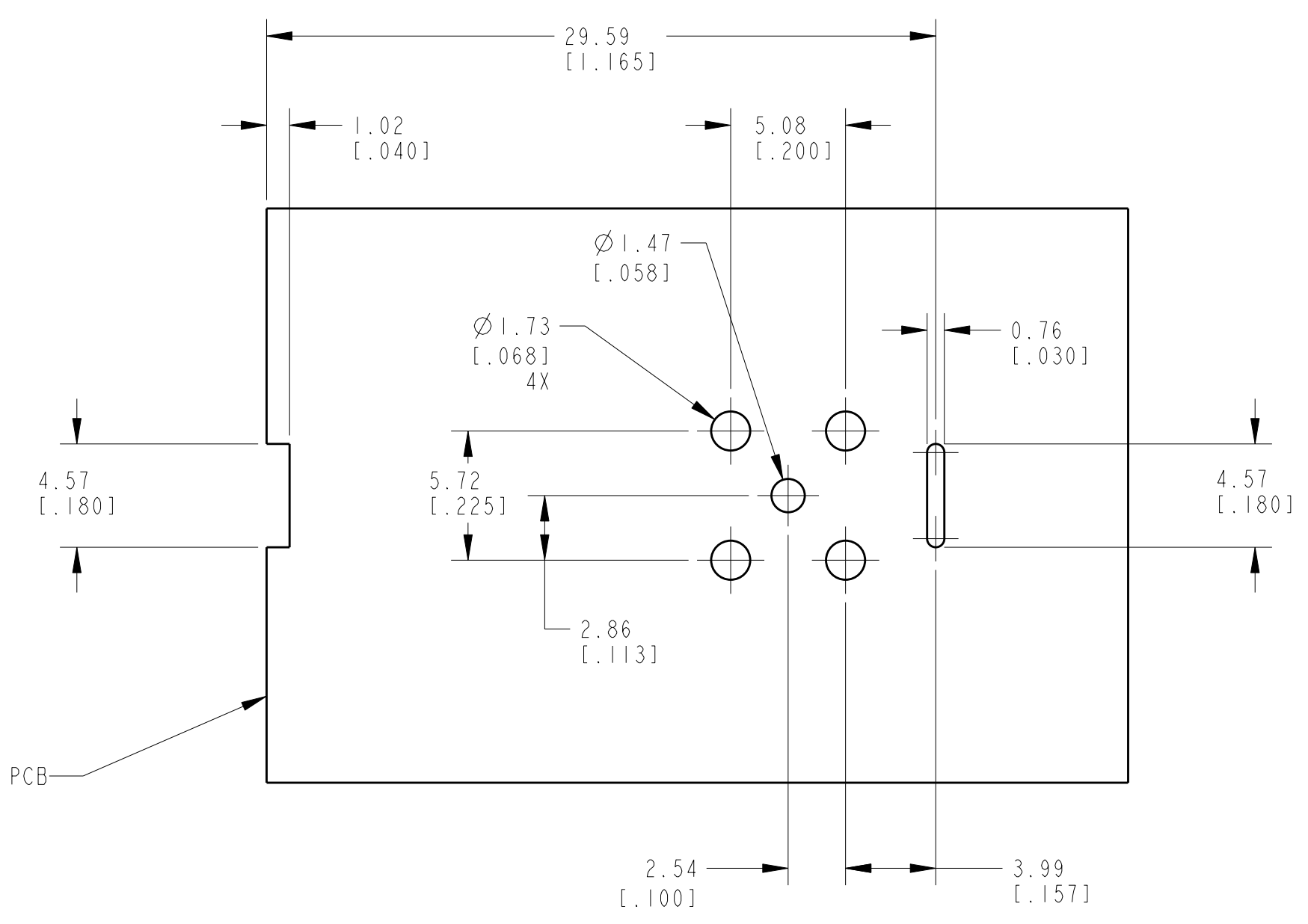
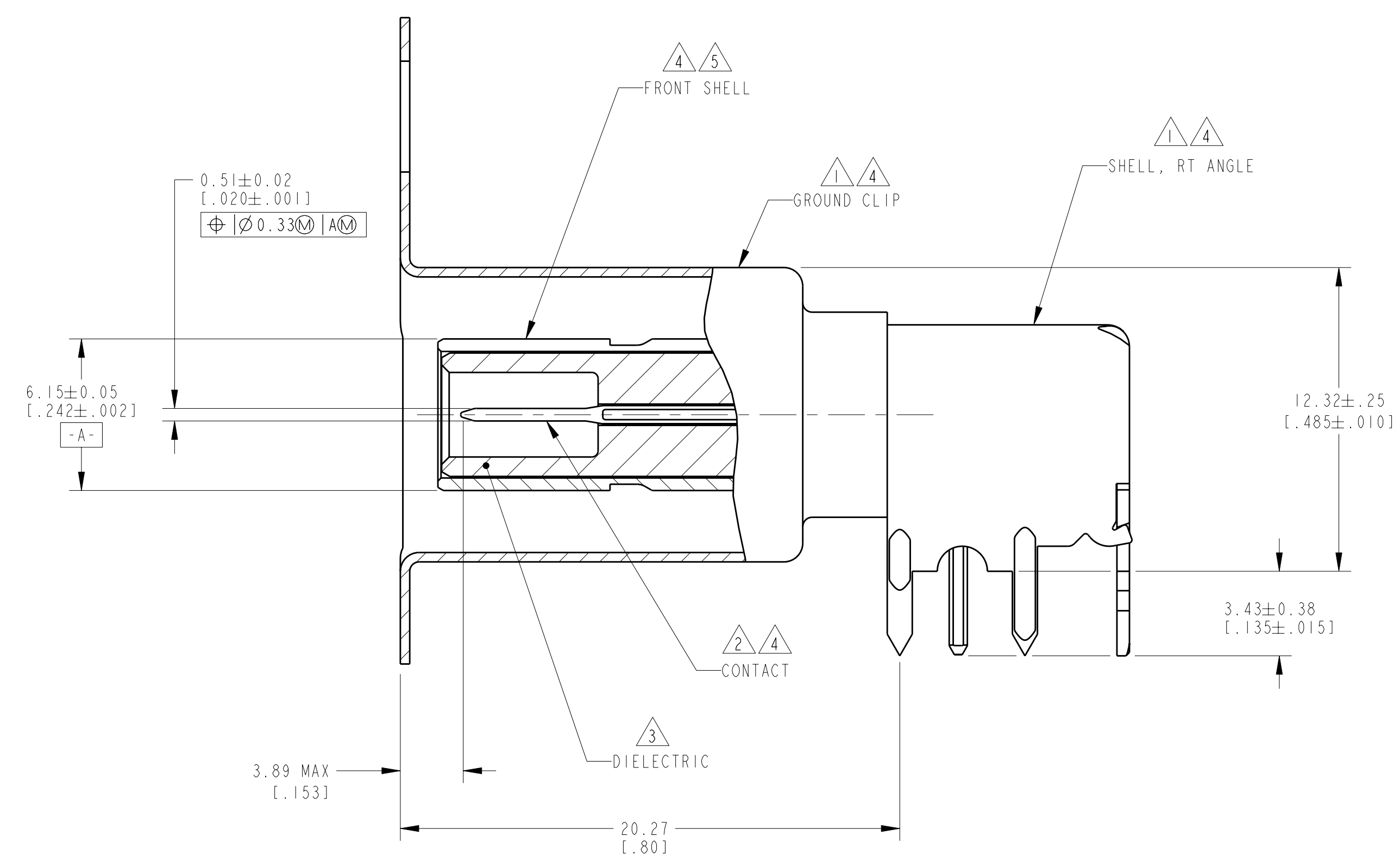


LOC	DIST	REV	DATE	BY	APPD
GE	00	J1	13MAR2012	DLD	LLV

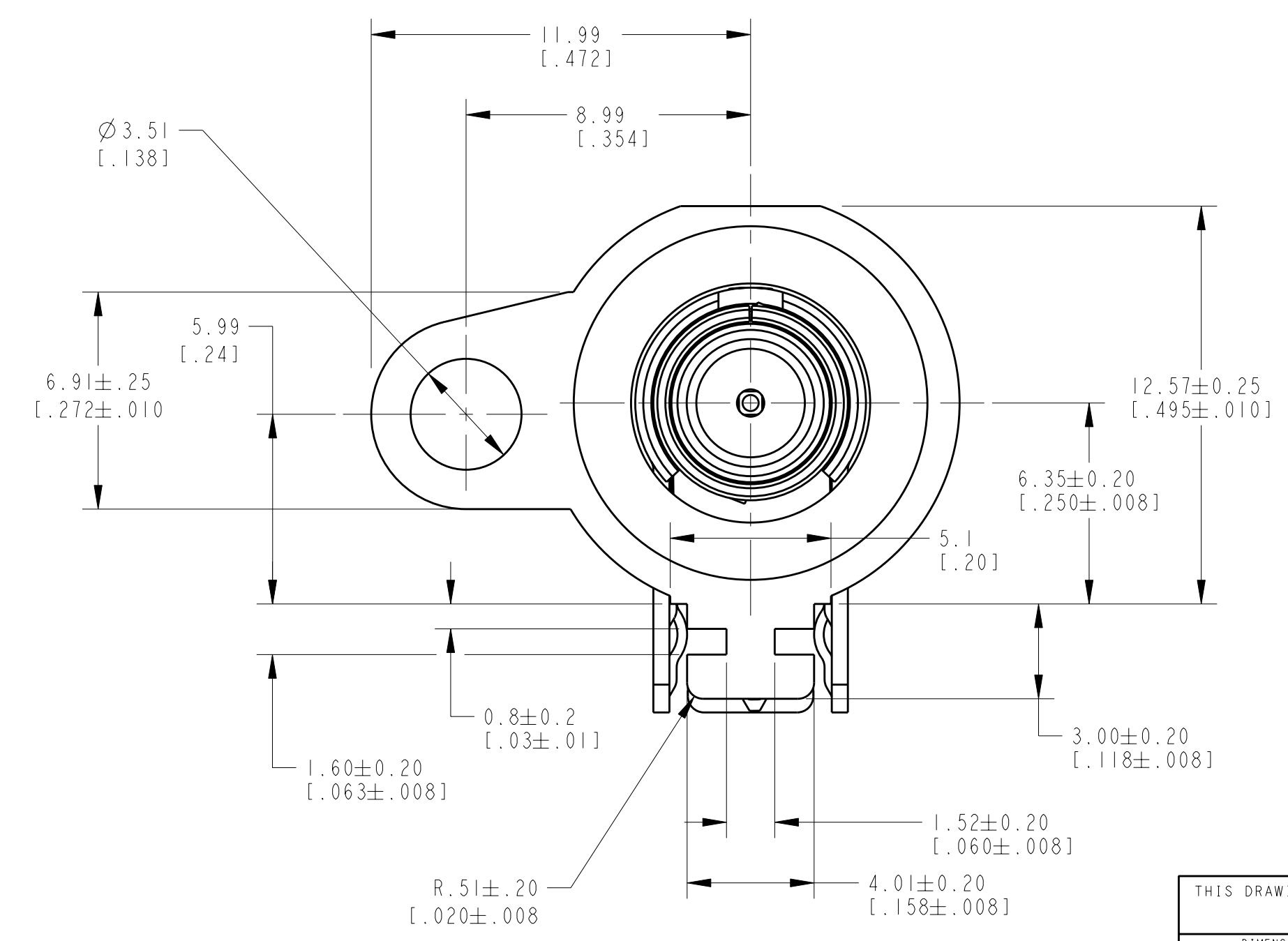
- 1 MATERIAL: BRASS PER ASTM-B-36
- 2 MATERIAL: BRASS PER ASTM-B-16
- 3 MATERIAL: TPX
- 4 FINISH: TIN PER ASTM-B-545
- 5 MATERIAL: BRASS PER ASTM-B-453
- 6 COMPANY LOGO



CONFIGURATION X



RECOMMENDED PCB LAYOUT FOR 1326508-1, -2 & -6  
 PCB LAYOUT TOLERANCES:  
 LOCATION = ±0.20 [0.008]  
 FEATURE SIZES = ±0.10 [0.004]  
 SCALE 4:1



CONFIGURATION Y

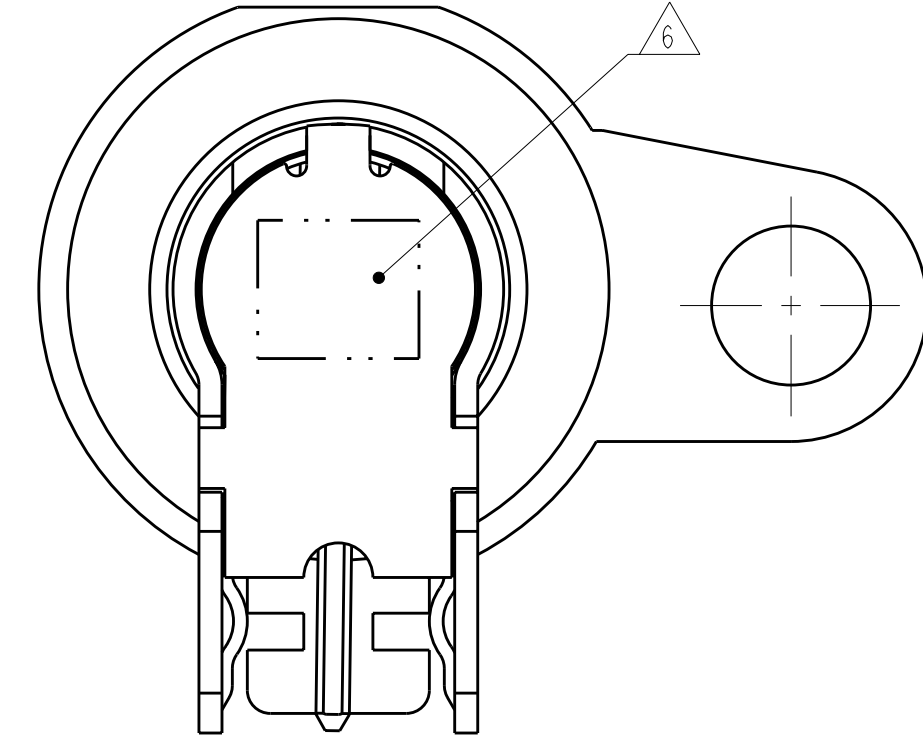
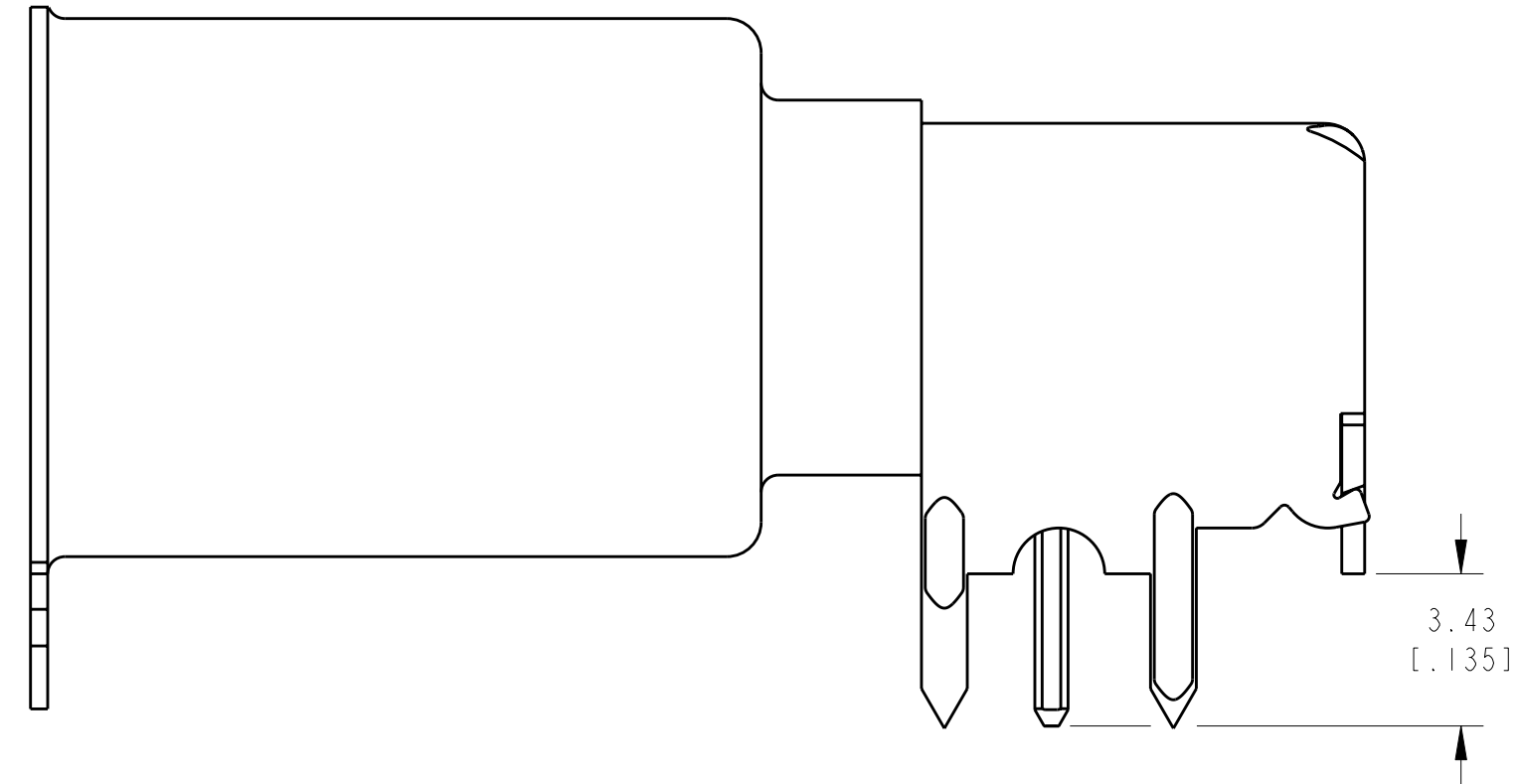
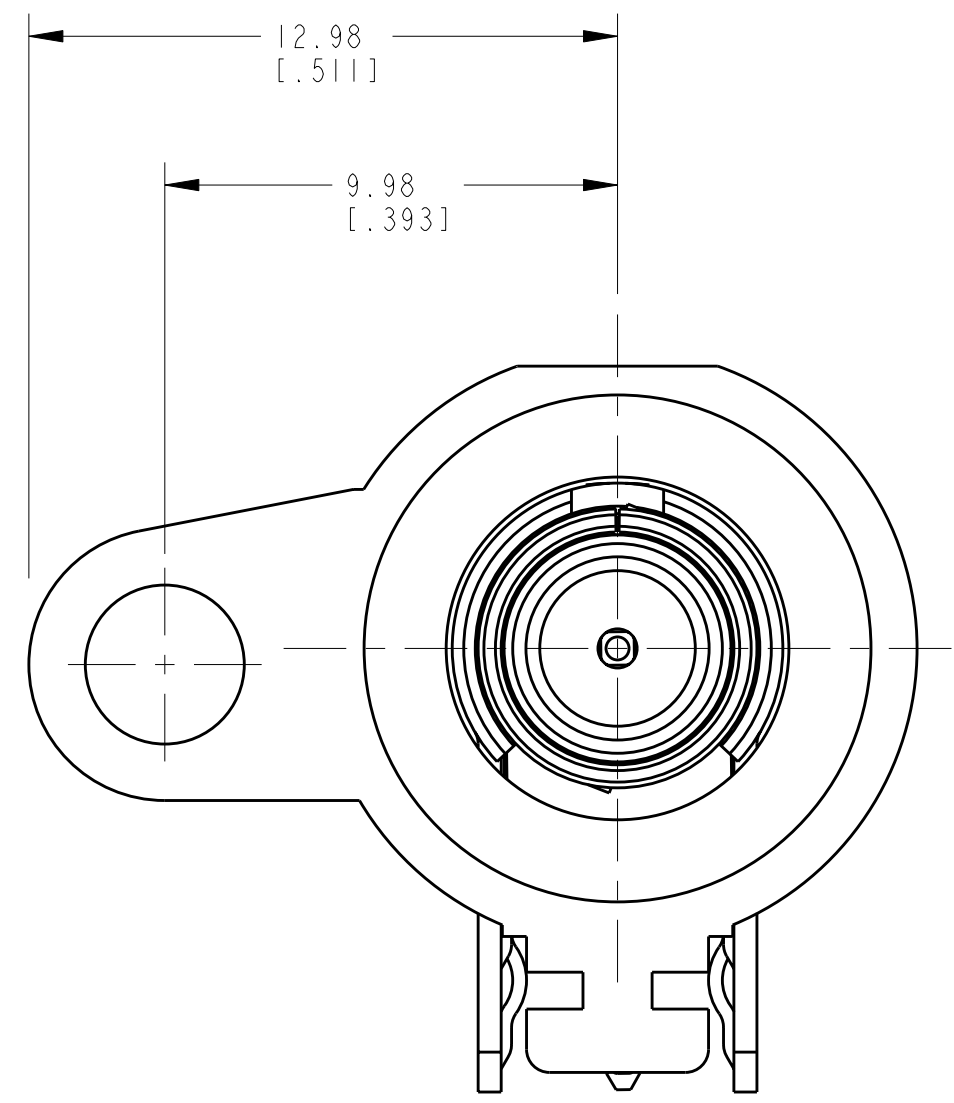
W, SH3	1326508-6
Z, SH2	1326508-3
Y	1326508-2
X	1326508-1
CONFIGURATION	PART NUMBER

DIMENSIONS:		TOLERANCES UNLESS OTHERWISE SPECIFIED:		PRODUCT SPEC		APPLICATION SPEC		CUSTOMER DRAWING	
mm [INCHES]		9 PLC	±	9 PLC	±	114-13002		SCALE	4:1
		3 PLC	±	3 PLC	±			SHEET	1 OF 3
		5 PLC	±	5 PLC	±			REV	J1
		4 PLC	±	4 PLC	±				
		ANGLES	±	ANGLES	±				
MATERIAL		FINISH		WEIGHT		CUSTOMER DRAWING			
SEE NOTES		SEE NOTES				A1 00779 C=1326508			

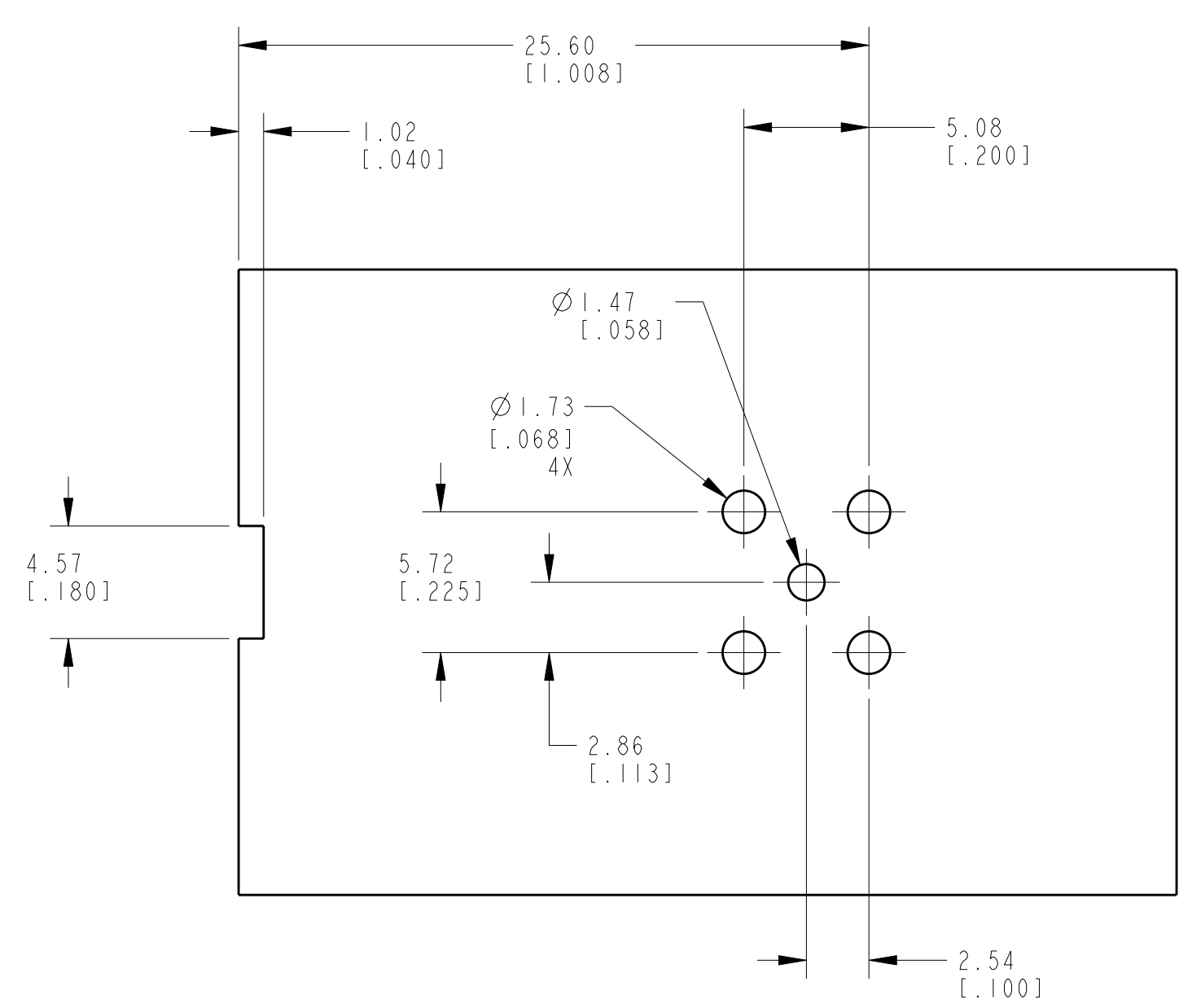


PCB JACK, SNAP-LOCK

LOC	DIST	REVISIONS			
		REV	DATE	BY	APPD
GE	00	-	-	-	-
		SEE SHEET 1			



CONFIGURATION Z

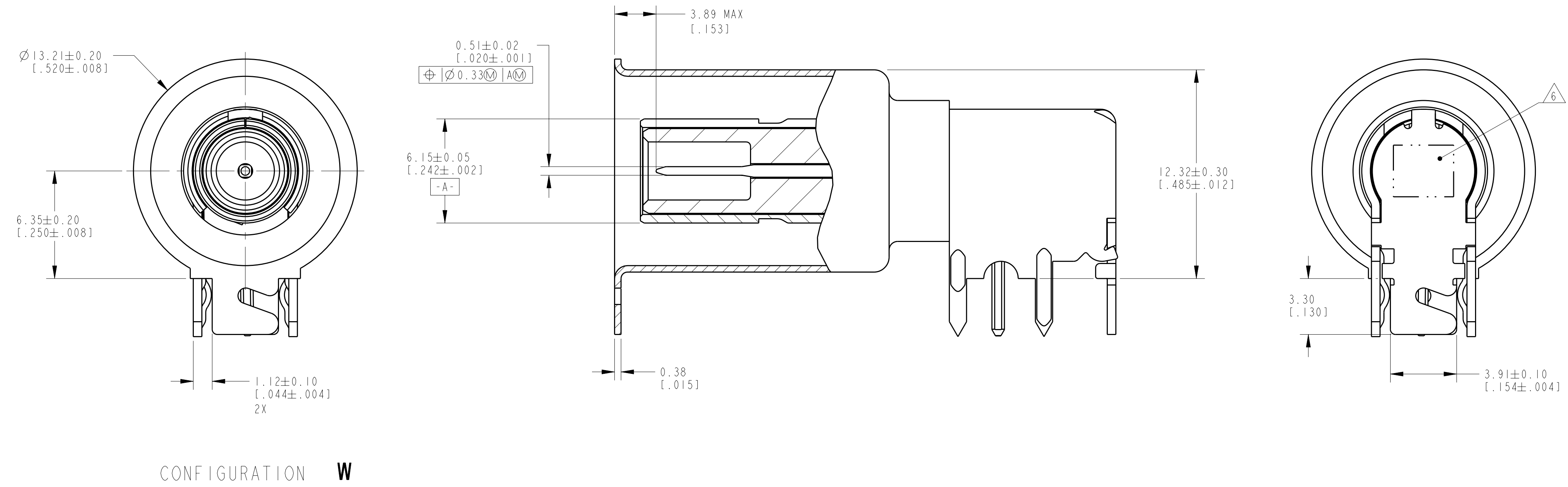


RECOMMENDED PCB LAYOUT  
 FOR 1326508-3 ONLY  
 PCB LAYOUT TOLERANCES:  
 LOCATION = ±0.20 [0.008]  
 FEATURE SIZES = ±0.10 [0.004]  
 SCALE 4:1

THIS DRAWING IS A CONTROLLED DOCUMENT.		DWN A. HOLT	13NOV2002	TE Connectivity
DIMENSIONS: mm [INCHES]		CHK K. COBLE	13NOV2002	
TOLERANCES UNLESS OTHERWISE SPECIFIED:		APVD K. COBLE	13NOV2002	NAME
9 PLC ±		PRODUCT SPEC		PCB JACK, SNAP-LOCK
1 PLC ±		APPLICATION SPEC		
2 PLC ±0.13 [0.005]		SIZE CAGE CODE DRAWING NO		RESTRICTED TO
3 PLC ±		114-13002		A1 00779 C=1326508
4 PLC ±		WEIGHT		-
ANGLES ±		CUSTOMER DRAWING		SCALE 4:1 SHEET 2 OF 3 REV J1
MATERIAL	FINISH			
SEE NOTES	SEE NOTES			

THIS DRAWING IS UNPUBLISHED. RELEASED FOR PUBLICATION 20  
 BY: ALL RIGHTS RESERVED.

LOC	DIST	REV	DATE	BY	APPD
GE	00				
		DESCRIPTION		DATE	DWN
		SEE SHEET 1		-	-



CONFIGURATION W

THIS DRAWING IS A CONTROLLED DOCUMENT.		DWN A. HOLT	13NOV2002	TE Connectivity
DIMENSIONS: mm [ INCHES ]		CHK K. COBLE	13NOV2002	
TOLERANCES UNLESS OTHERWISE SPECIFIED:		APVD K. COBLE	13NOV2002	NAME PCB JACK, SNAP-LOCK
0 PLC ± 1 PLC ± 2 PLC ±0.13(.005) 3 PLC ± 4 PLC ± ANGLES ±	DIMENSIONS: mm [ INCHES ]	PRODUCT SPEC APPLICATION SPEC 114-13002	SIZE A1	CAGE CODE 00779
MATERIAL SEE NOTES	FINISH SEE NOTES	WEIGHT CUSTOMER DRAWING	DRAWING NO C=1326508	RESTRICTED TO -
		SCALE 6:1	SHEET 3	OF 3
		REV J		

单击下面可查看定价，库存，交付和生命周期等信息

[>>TE Connectivity\(泰科\)](#)