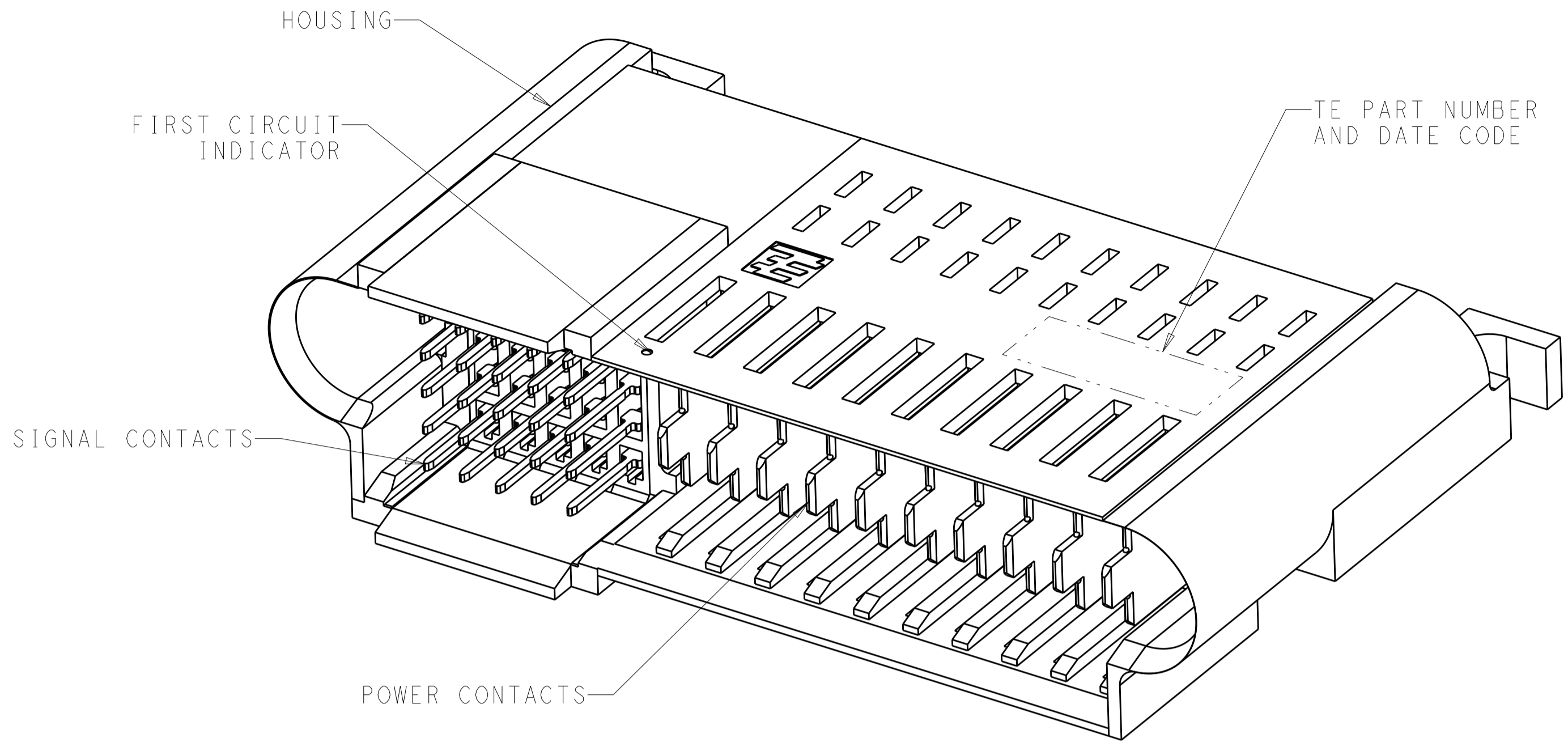
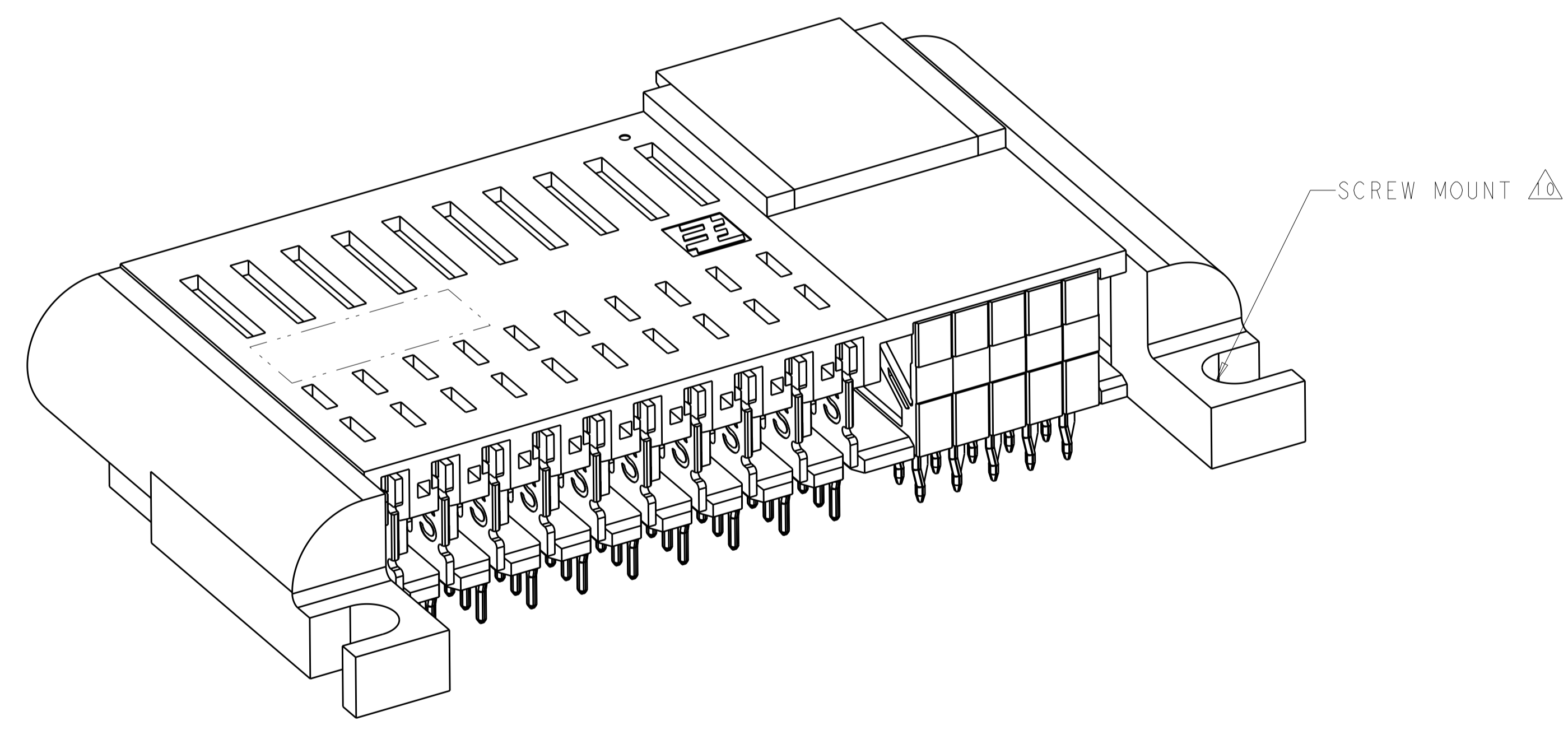


LOC	DIST	REVISIONS			
P	LTN	DESCRIPTION	DATE	DMN	APVD
GP	00	A	RELEASED	24MAR2010	RG MS
		B	REV PER ECO-10-017024	31AUG2010	RG MS
		C	REV PER ECO-11-006492	13APR2011	RG MS
		C1	REV PER ECR-13-001498	28JAN2012	OL SZ



ISOMETRIC FRONT VIEW

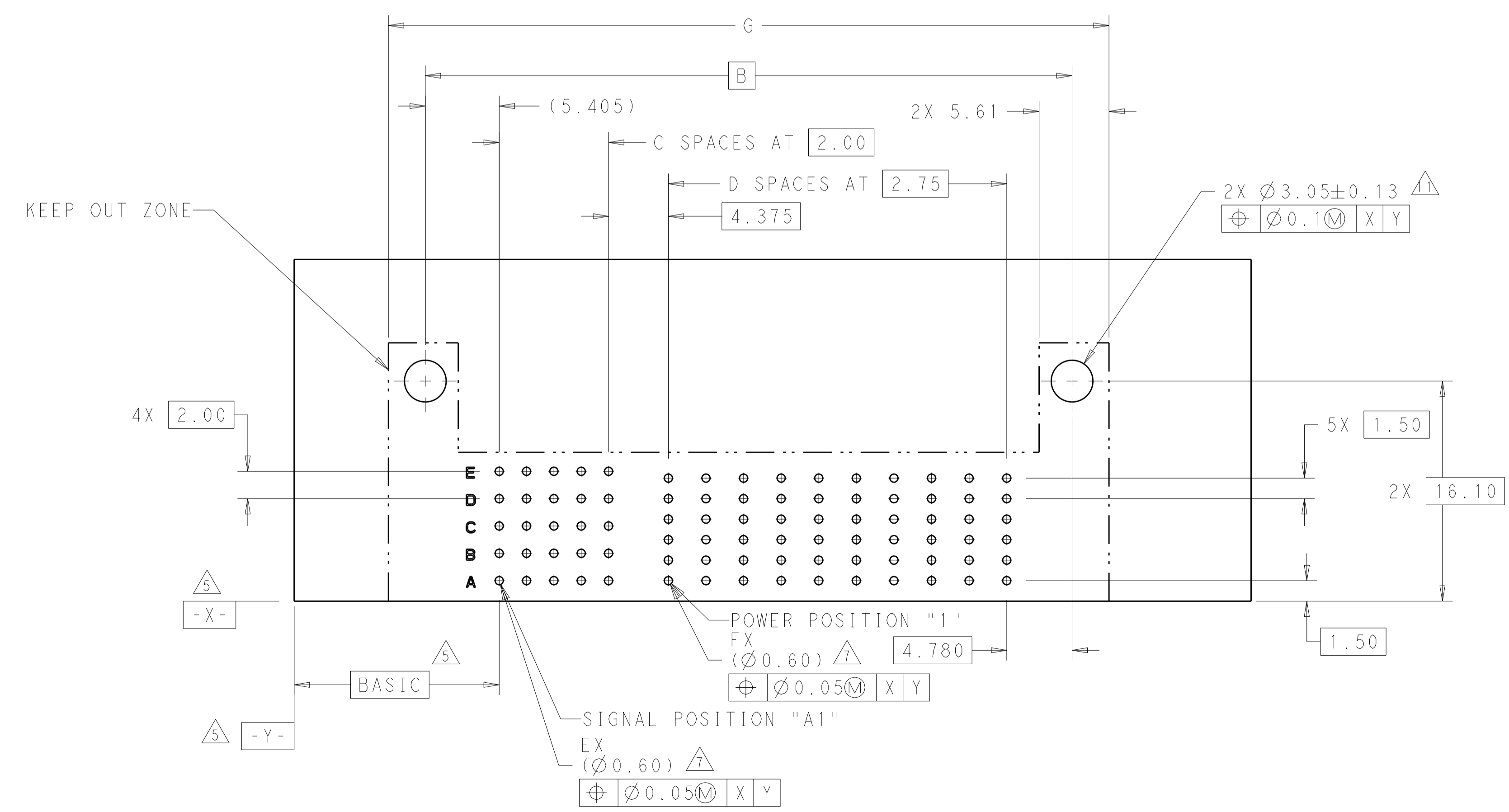
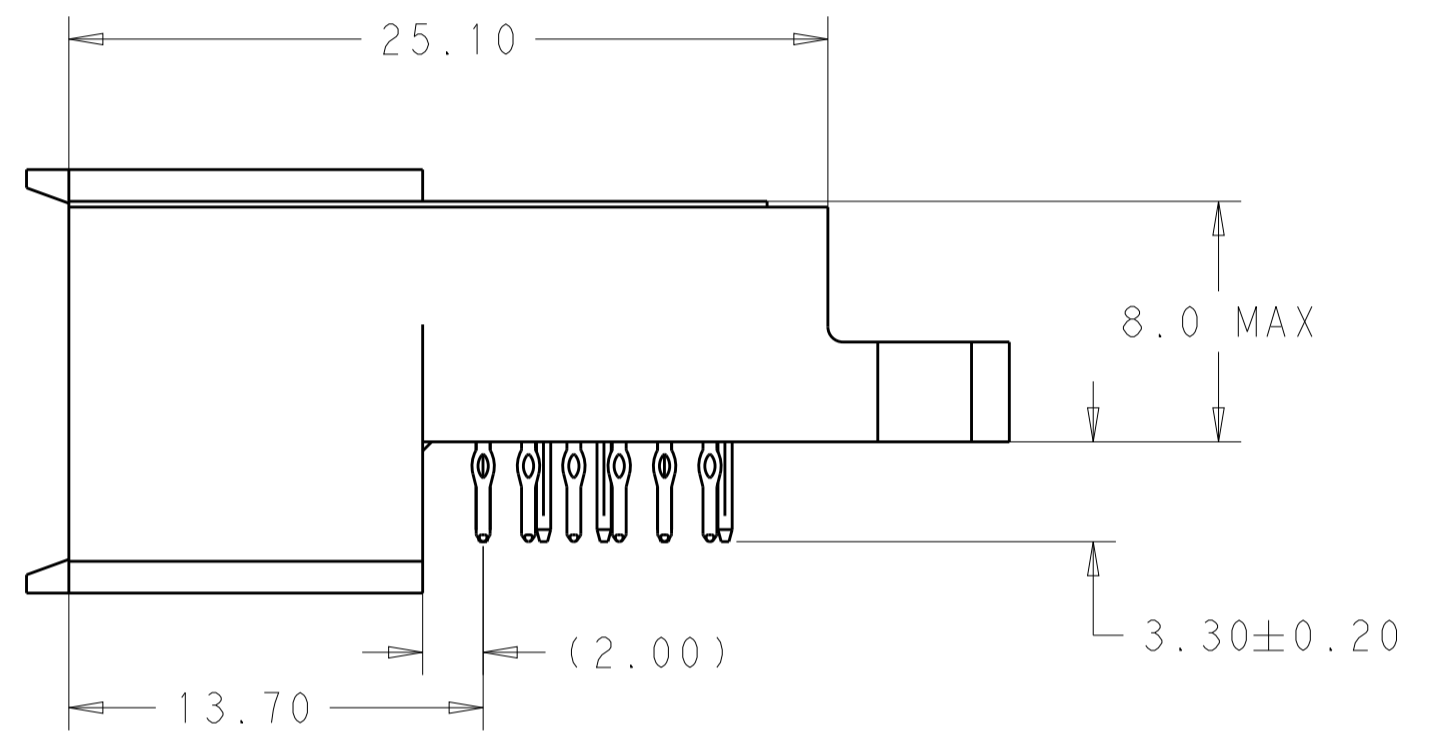
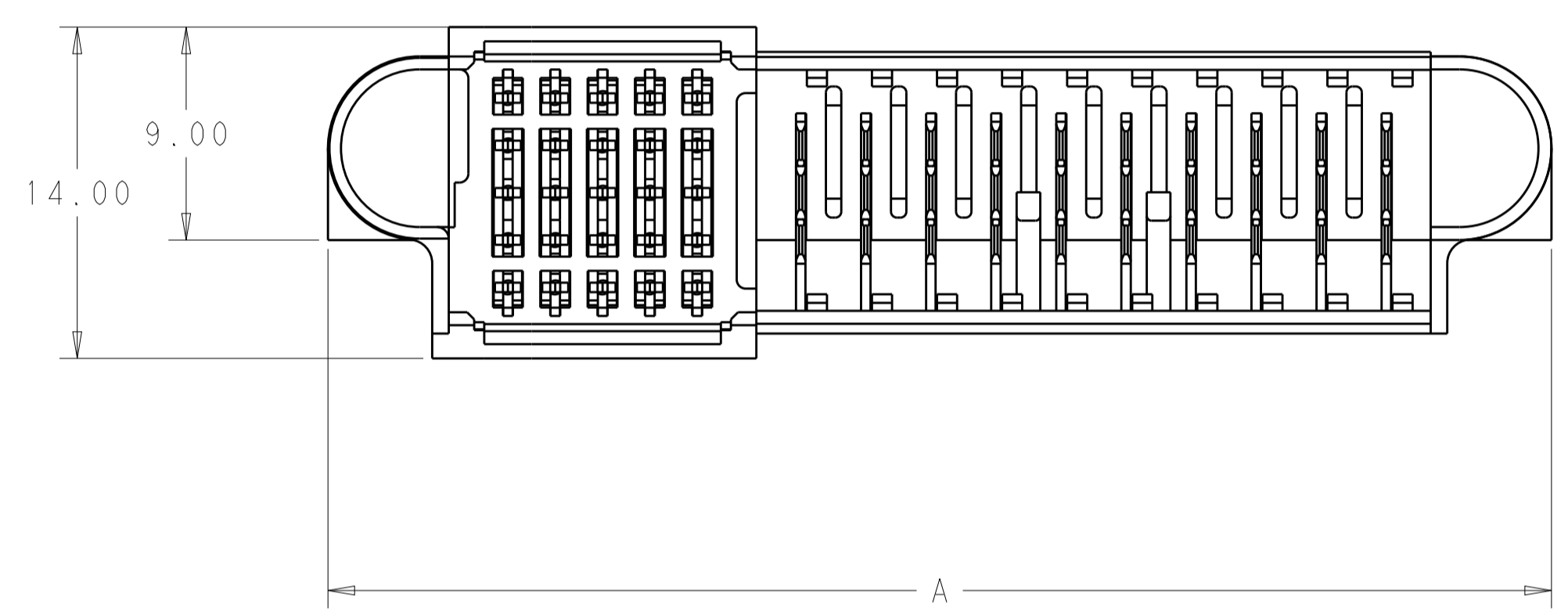
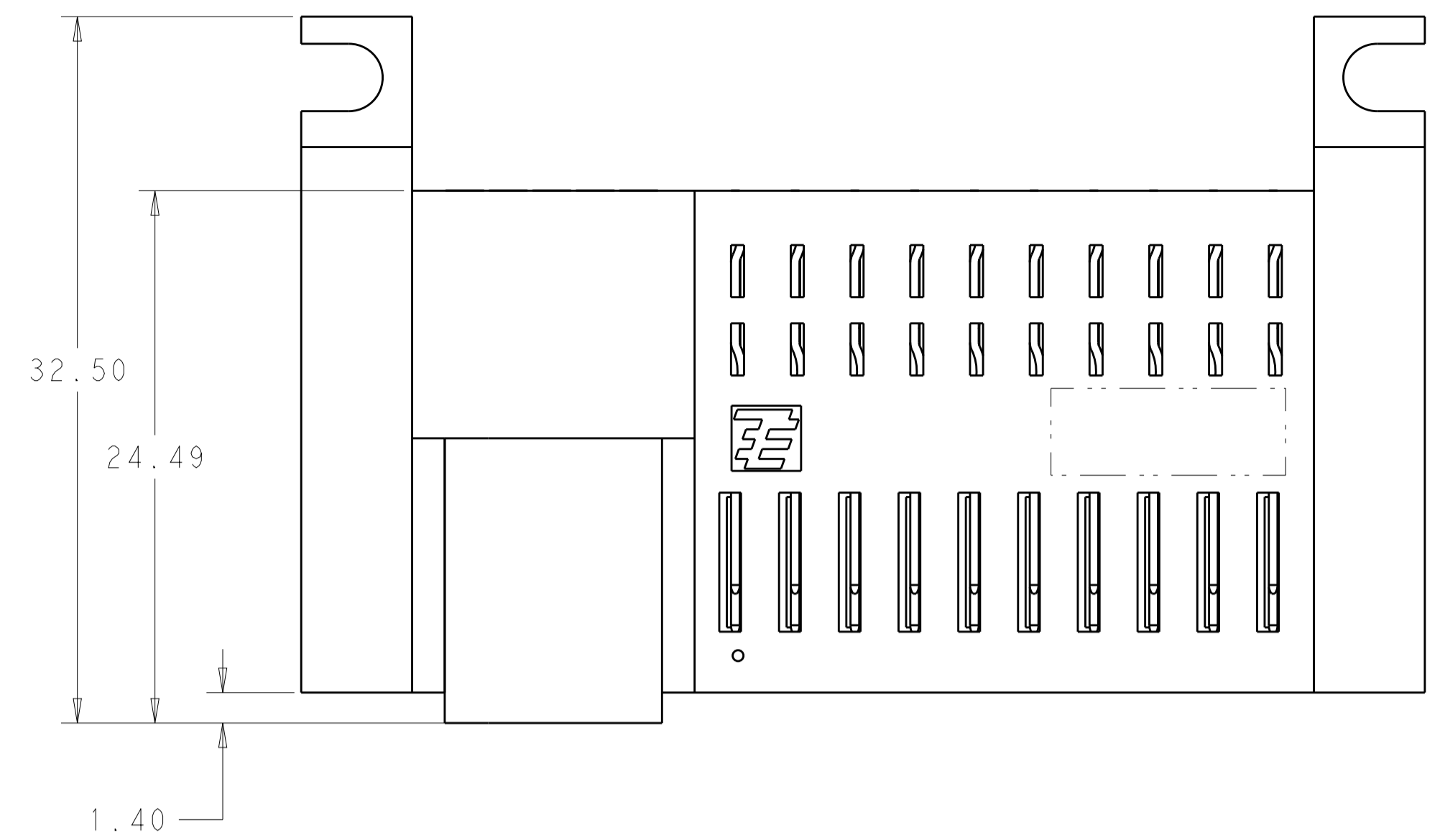


ISOMETRIC REAR VIEW

- △ HOUSING: GLASS FILLED LIQUID CRYSTAL POLYMER, COLOR: BLACK, UL 94V-0 RATED.
 SIGNAL CONTACT: PHOSPHOR BRONZE.
 SIGNAL OVERMOLD: GLASS FILLED POLYESTER.
 POWER CONTACT: COPPER ALLOY.
- △ SIGNAL CONTACT: 0.00127mm MIN NICKEL ALL OVER,
 MATING AREA: 0.00076mm MIN GOLD OR 0.00008mm MIN GOLD OVER
 0.00076mm MIN PALLADIUM-NICKEL.
 TAIL AREA: 0.0005mm MIN MATTE TIN.
- POWER CONTACT: 0.00127mm MIN NICKEL ALL OVER,
 MATING AREA: 0.00076mm MIN GOLD OR
 0.00008mm MIN GOLD OVER 0.00076mm MIN PALLADIUM-NICKEL,
 TAIL AREA: 0.0005mm MIN MATTE TIN.
- 3 CONTACT MATING AREA LUBRICATED WITH BELLCORE APPROVED LUBRICANT,
 TECHNICAL REFERENCE: GR-1217-CORE, ISSUE 1, NOVEMBER 1995.
- 4 CONNECTOR ASSEMBLY MARKED WITH PART NUMBER AND DATE CODE.
- △ DATUMS AND BASIC DIMENSIONS TO BE ESTABLISHED BY CUSTOMER.
- △ PC BOARD THICKNESS 1.4mm MIN.
 WAVE SOLDER PC BOARD THICKNESS 2.6S MAX
- △ SEE APPLICATION SPEC 114-13215 FOR PLATED THRU HOLE INFORMATION
- 8. SEE CUSTOMER DRAWING 1926733 OR 1926731 FOR MATING RECEPTACLE CONNECTOR.
- △ CUSTOMER TO SPECIFY LOAD PATTERNS. SEE PAGE 3 FOR WORKSHEET
- △ #4-40 UNC PAN HEAD SCREW WITH HEX NUT NOT SHOWN,
 SUPPLIED BY CUSTOMER.
- △ UNPLATED HOLES
- 12. THIS CONNECTOR EMPLOYS UL RECOGNIZED Z-PACK 2mm HM CONNECTOR
 AT SIGNALS.

<small>THE DRAWING IS CONTROLLED THROUGHOUT THE ENTIRETY OF THE PRODUCT LIFE CYCLE. ANY CHANGES TO THE DRAWING MUST BE APPROVED BY THE ORIGINAL DRAWING ENGINEER AND THE QUALITY CONTROL ENGINEER. ANY CHANGES TO THE DRAWING MUST BE APPROVED BY THE ORIGINAL DRAWING ENGINEER AND THE QUALITY CONTROL ENGINEER.</small>		DWN G. PETERS 15FEB2010 CHK M. SYKES 15FEB2010	Tyco Electronics Corporation Harrisburg, PA 17105-3608
DIMENSIONS: mm 	TOLERANCES UNLESS OTHERWISE SPECIFIED: 0 PLC ±. 1 PLC ±. 2 PLC ±0.13 3 PLC ±. 4 PLC ±. ANGLES ±. FINISH ±.	NAME M. SYKES PRODUCT SPEC 108-2325 APPLICATION SPEC 114-13215 WEIGHT -	PLUG ASSEMBLY, RIGHT ANGLE, PASSIVE GUIDE, SIGNAL/POWER WITH SCREW MOUNT, SEQUENCED, MINIPAK HDL SIZE CAGE CODE DRAWING NO A100779C=1926736 RESTRICTED TO -
MATERIAL △ FINISH △		CUSTOMER DRAWING SCALE 1:1 SHEET 1 OF 4 REV C1	

LOC		DIST		REVISIONS				
P	LTN	DATE	DMN	APVD	DESCRIPTION	DATE	DMN	APVD
-	-	-	-	-	SEE SHEET 1	-	-	-



52.71	60	25	9	4	47.31	51.71	1926736-3
52.71	60	25	9	4	47.31	51.71	1926736-2
52.71	60	25	9	4	47.31	51.71	1926736-1
G	F	E	"D"	"C"	B	A	PART NUMBER
	QTY	QTY	SPACES	SPACES			

DIMENSIONS: mm 		TOLERANCES UNLESS OTHERWISE SPECIFIED: 0 PLC ± 1 PLC ±0.13 2 PLC ± 3 PLC ± 4 PLC ± ANGLES ±1 FINISH		DWN G. PETERS 15FEB2010 CHK M. SYKES 15FEB2010 APVD M. SYKES PRODUCT SPEC 108-2325 APPLICATION SPEC 114-13215 WEIGHT Customer Drawing		Tyco Electronics Corporation Harrisburg, PA 17105-3608 NAME PLUG ASSEMBLY, RIGHT ANGLE, PASSIVE GUIDE, SIGNAL/POWER WITH SCREW MOUNT, SEQUENCED, MINIPAK HDL SIZE CAGE CODE DRAWING NO RESTRICTED TO A100779C=1926736 SCALE 1:1 SHEET 2 OF 4 REV C1	
-----------------------	--	--	--	---	--	---	--

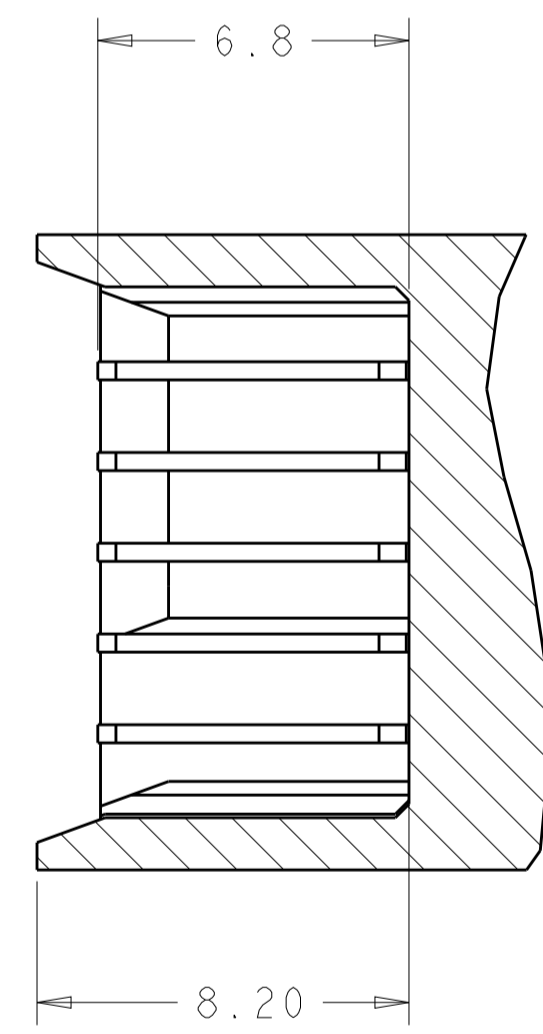
LOC	DIST	REVISIONS					
		P.	LTN	DESCRIPTION	DATE	DWN	APVD
GP	00	-	-	SEE SHEET 1	-	-	-

CUSTOM LOADING WORKSHEET FOR SIGNAL & POWER SEQUENCING LEVELS																								
MINIPAK HDL - MATING FACE OF PLUG CONNECTOR***																								
	SIGNAL CHICKLETS*								POWER CONTACTS**															
E																								
D																								
C																								
B																								
A																								
ROWS	1	2	3	4	5	6	7	8	1	2	3	4	5	6	7	8	9	10	11	12	13	14	15	

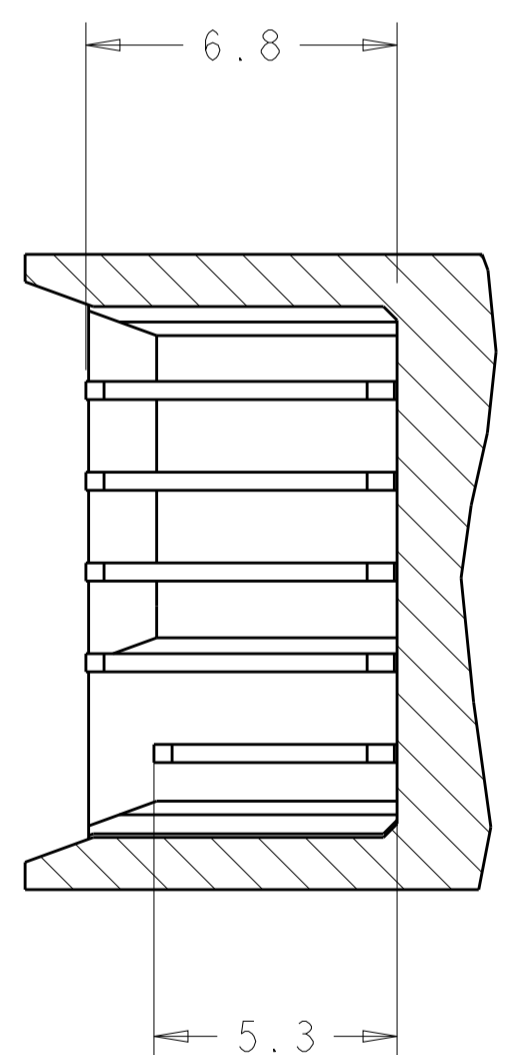
*LOAD WITH CHOICE OF 3 CHICKLETS
 SEE SECTIONS KA, KB, & KC FOR
 AVAILABLE LENGTH OPTIONS.

** LOAD WITH CHOICE OF 2 POWER
 CONTACT MATING LENGTHS, SEE SEC.
 MM FOR AVAILABLE LENGTH OPTIONS.

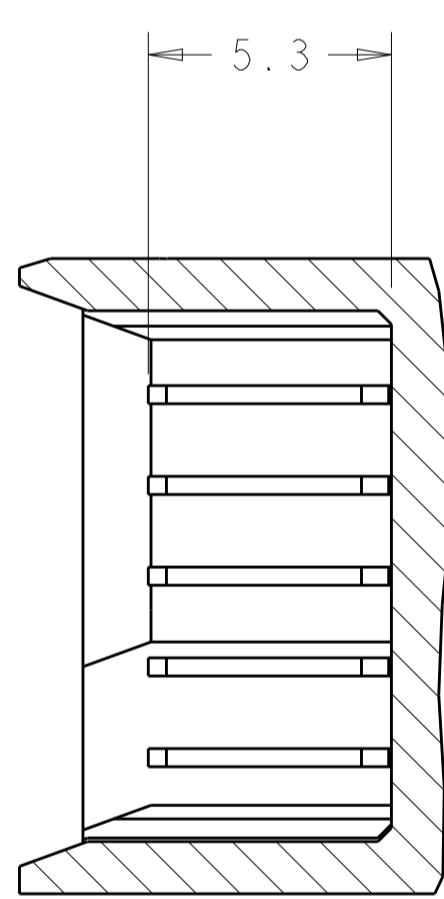
***CUSTOM LOADING WORKSHEET SHOWN AT MAXIMUM SIZE CONFIGURABLE (40S X 24P),
 SIGNALS AVAILABLE IN 2,3,4 THRU 8 POSITIONS, POWERS AVAILABLE IN 4,6,8,
 10, THRU 24 POSITIONS IN EVEN QUANTITIES ONLY.



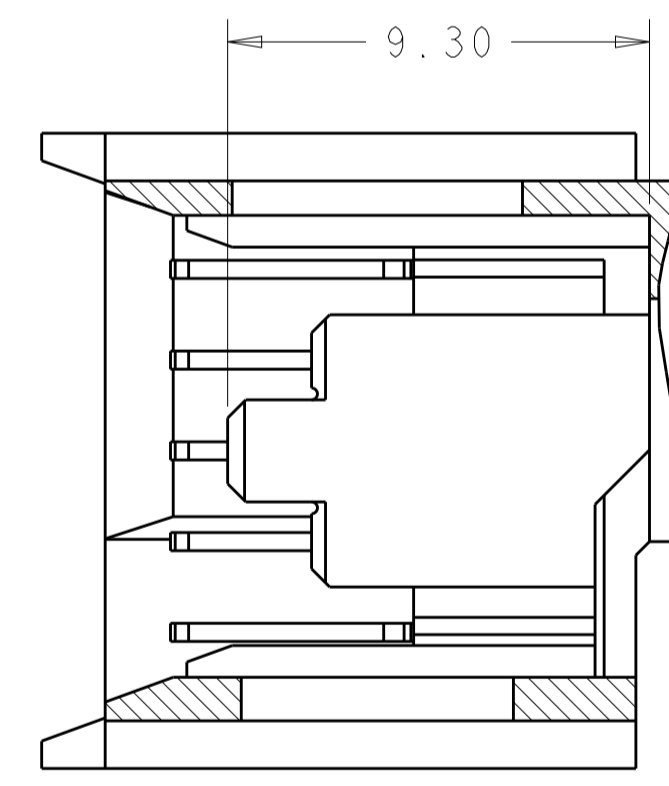
SECTION KA
 (LEVEL 2: ALL LONGEST CONTACT)



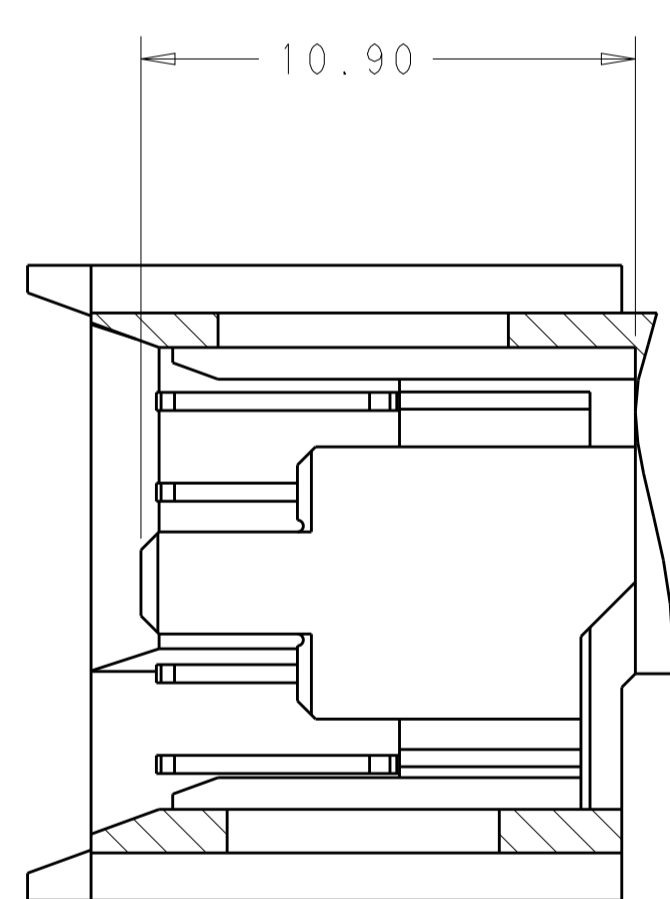
SECTION KB
 (LEVEL 1 ROW "A" ONLY
 LEVEL 2 ROWS "B" THRU "E")



SECTION KC
 (LEVEL 1: SHORTEST CONTACT)



SECTION R
 LEVEL 2, SHORTEST
 MATING CONTACTS



SECTION M
 LEVEL 3, LONGEST
 MATING CONTACT

<small>THIS DRAWING IS UNPUBLISHED. IT IS THE PROPERTY OF TYCO ELECTRONICS CORPORATION. IT IS TO BE USED ONLY FOR THE PROJECT AND FOR THE CUSTOMER'S USE. IT IS TO BE RETURNED TO TYCO ELECTRONICS CORPORATION UPON COMPLETION OF THE PROJECT.</small>		DWN: G. PETERS 15FEB2010 CHK: M. SYKES 15FEB2010	Tyco Electronics Corporation Harrisburg, PA 17105-3608
DIMENSIONS: mm	TOLERANCES UNLESS OTHERWISE SPECIFIED: 0 PLC ± 1 PLC ±0.13 2 PLC ± 3 PLC ± 4 PLC ± ANGLES ±1 FINISH	APVD: M. SYKES PRODUCT SPEC: 108-2325 APPLICATION SPEC: 114-13215 WEIGHT:	NAME: PLUG ASSEMBLY, RIGHT ANGLE, PASSIVE GUIDE, SIGNAL/POWER WITH SCREW MOUNT, SEQUENCED, MINIPAK HDL SIZE: A1 CAGE CODE: 00779 DRAWING NO: C=1926736
MATERIAL:		CUSTOMER DRAWING	SCALE: 1:1 SHEET 3 OF 4 REV: C1

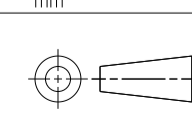
LOC	DIST	REVISIONS			
P	LTN	DESCRIPTION	DATE	OWN	APVD
GP	00	SEE SHEET 1			

PART NUMBER	ROWS	SIGNALS					POWERS									
		1	2	3	4	5	1	2	3	4	5	6	7	8	9	10
1926736-1	A	KA	KA	2	2	2	R	R	R	R	R	R	R	R	R	R
	B	KA	2	3	KA	KA	R	R	R	R	R	R	R	R	R	R
25S X 10P																

-1 PRELIMINARY

PART NUMBER	ROWS	SIGNALS					POWERS									
		1	2	3	4	5	1	2	3	4	5	6	7	8	9	10
1926736-2	A	KA	KA	KB	KA	KA	R	R	R	R	R	R	R	R	R	R
	B	KA	KA	KB	KA	KA	R	R	R	R	R	R	R	R	R	R
25S X 10P																

PART NUMBER	ROWS	SIGNALS					POWERS									
		1	2	3	4	5	1	2	3	4	5	6	7	8	9	10
1926736-3	A	KA	KA	KA	KA	KC	R	R	R	R	R	R	R	R	R	R
	B	KA	KA	KA	KA	KC	R	R	R	R	R	R	R	R	R	R
25S X 10P																

<small>THE DRAWING IS UNPUBLISHED. IT IS THE PROPERTY OF TYCO ELECTRONICS CORPORATION AND IS TO BE CONTROLLED AND DISTRIBUTED AS SUCH. SHOULD BE CONTACTED FOR THE LATEST REVISION.</small>		DWN: G. PETERS 15FEB2010 CHK: M. SYKES 15FEB2010	Tyco Electronics Corporation Harrisburg, PA 17105-3608
DIMENSIONS: mm 		TOLERANCES UNLESS OTHERWISE SPECIFIED: 0 PLC ± 1 PLC ±0.13 2 PLC ± 3 PLC ± 4 PLC ± ANGLES ±1 FINISH	NAME: M. SYKES PRODUCT SPEC: 108-2325 APPLICATION SPEC: 114-13215 WEIGHT: - Customer Drawing
MATERIAL: - FINISH: -		APVD: M. SYKES PRODUCT SPEC: 108-2325 APPLICATION SPEC: 114-13215 WEIGHT: - Customer Drawing	NAME: PLUG ASSEMBLY, RIGHT ANGLE, PASSIVE GUIDE, SIGNAL/POWER WITH SCREW MOUNT, SEQUENCED, MINIPAK HDL SIZE: A1 CAGE CODE: 00779 DRAWING NO: 1926736 RESTRICTED TO: C1 SCALE: 1:1 SHEET 4 OF 4

单击下面可查看定价，库存，交付和生命周期等信息

[>>TE Connectivity\(泰科\)](#)