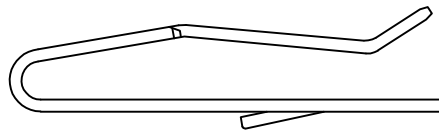
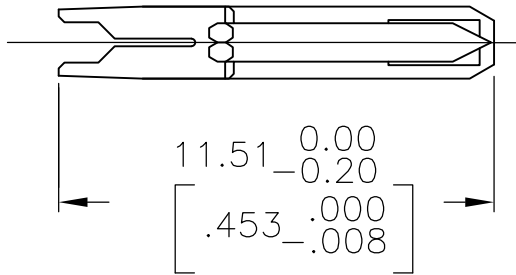


LOC	DIST	REVISIONS					
CM	00	P	LTR	DESCRIPTION	DATE	DWN	APVD
			D	ECO-07-007260	09APR07	KW	DB
			D1	REVISED PER ECO-09-021510	15AUG09	KK	AEG

1. DIMENSION IN BRACKET ARE IN INCHES.

 OBSOLETE PARTS: OBSOLETE CIS STREAMLINING PER D.RENAUD/D.SINISI



METRIC



SUPERSEDED

TIN	641646-2
TIN-LEAD	641646-1
FINISH	PART NO


RELEASED FOR PUBLICATION

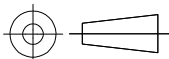
ALL RIGHTS RESERVED.

BY TYCO ELECTRONICS CORPORATION.

© COPYRIGHT

THIS DRAWING IS UNPUBLISHED.

DIMENSIONS: mm [INCHES]	DWN L. SMITH	20JAN94	MATERIAL	0.30[.012] THK COPPER ALLOY	FINISH	MATTE TIN OR BRIGHT TIN LEAD 0.00203[.000080] MIN THK
	CHK R. SWING	20JAN94	 Tyco Electronics Corporation Harrisburg, PA 17105-3608			
TOLERANCES UNLESS OTHERWISE SPECIFIED:	APVD E. BEILES	27JAN92				
0 PLC ± -	PRODUCT SPEC	-	NAME CONTACT, 0.36-0.51 [.014-.020] POST LOOSE PEICE 28 AWG WIRE, MTA-100			
1 PLC ± -	APPLICATION SPEC	-	SIZE	CAGE CODE	DRAWING NO	RESTRICTED TO
2 PLC ± -			A4	00779	C-641646	-
3 PLC ± -	WEIGHT	-	CUSTOMER DRAWING			
4 PLC ± -			SCALE	5:1	SHEET	1 OF 1
ANGLES ± -					REV	D1



单击下面可查看定价，库存，交付和生命周期等信息

[>>TE Connectivity\(泰科\)](#)