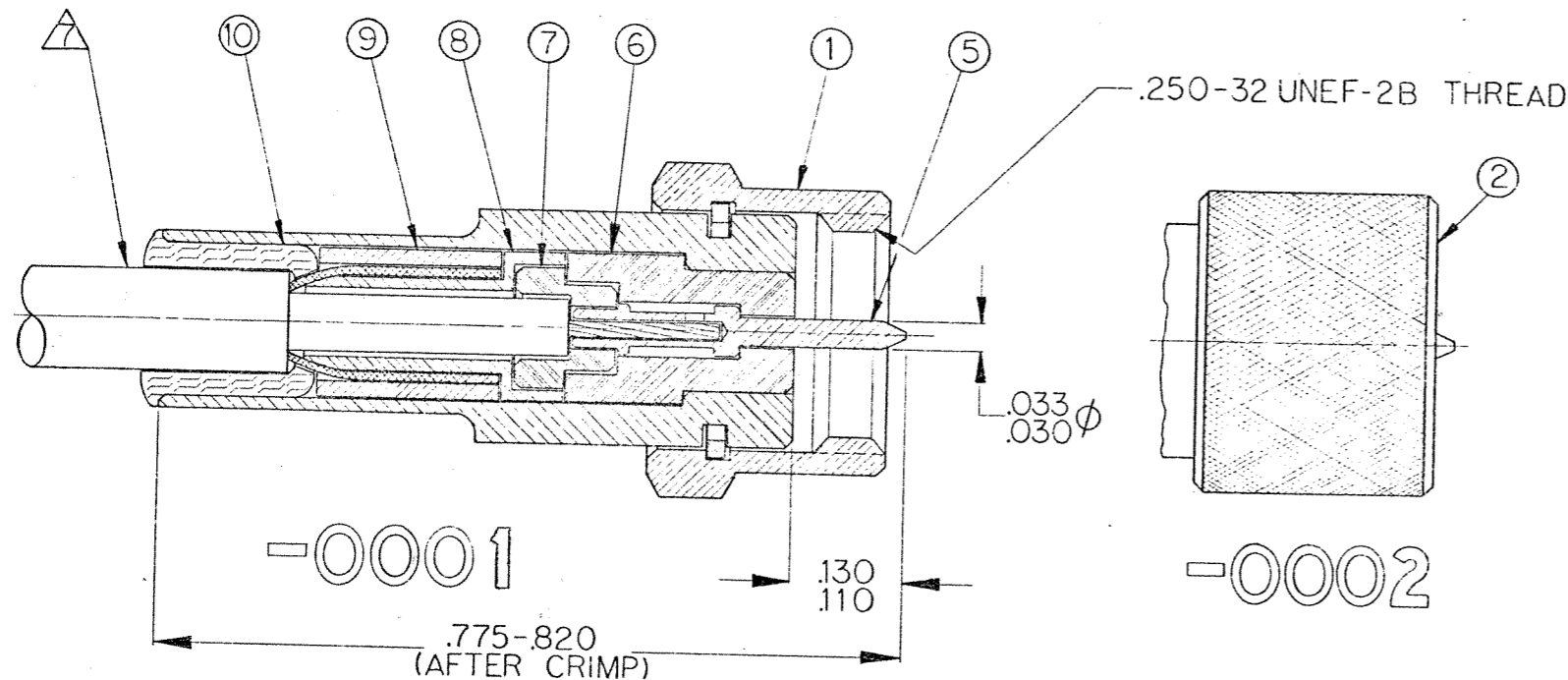


REVISIONS					
ZONE	LTR	ECN	DESCRIPTION	DATE	APPROVED
	H	23301	REVISED & REDRAWN	4.20.78	CDT
	J	2385	NOTE 2 WAS: ASSY TOOL REQ: 010-0065-0000 OR 010-0134-0000 FOR CONTACT AND 010-0083-0000 FOR HOUSING; NOTE 3 WAS: CENTER COND.	12/19/78	RAY



NOTES: UNLESS OTHERWISE SPECIFIED

- THIS CONNECTOR MATES WITH ALL 93  $\Omega$  GOLDEN CRIMP, CRIMP SILVER, AND S-93 JACKS & RECEPTACLES AS LISTED IN 'MALCO' CATALOG.
- SEE RF-ASMB-8 FOR ASSEMBLY INSTRUCTIONS. SPECIAL TOOLS REQUIRED:  
CONTACT CRIMP: TOOL 010-0134-0000 AND LOCATOR 001-0104-0000.  
ALTERNATE TOOL 010-0065-0000 (NO LOCATOR REQ'D)  
HOUSING CRIMP: TOOL 010-0083-0000
- HOUSING, NUT, CONTACT, INNER SLEEVE & MIDDLE SLEEVE: GOLD PLATE PER MIL-G-45204, TYPE II, GRADE C, CLASS 1.
- DELETED
- COUPLING NUT HAS SAFETY WIRE HOLES WHICH ACCEPT .021 DIA. WIRE.
- FOR ELECTRICAL, MECHANICAL & ENVIRONMENTAL SPECS SEE 'MALCO' CATALOG.
- CABLE ACCOMMODATION DIMENSIONS:  
JACKET DIA .155 MAX.  
DIELECTRIC DIA .091-.107  
INNER CONDUCTOR DIA .009-.019  
FOR USE WITH EXTRUDED OR WRAPPED JACKET.

QTY REQD	CODE IDENT	PART OR IDENTIFYING NO.	NOMENCLATURE OR DESCRIPTION	MATERIAL & SPEC	FINISH	ITEM			
1	1	1	1	003-0967-0001	SEALING SLEEVE	SILICONE RUBBER PER ZZ-R-765	⑩		
1	1	1	1	003-0965-0002	MIDDLE CRIMP SLEEVE	LEADED COPPER	③ ⑨		
1	1	1	1	003-0966-0002	INNER CRIMP SLEEVE	BRASS PER QQ-B-626	③ ⑧		
1	1	1	1	003-0964-0001	CABLE INSULATOR	TEFLON PER L-P-403	⑦		
1	1	1	1	003-1326-0001	HOUSING INSULATOR	TEFLON PER L-P-403	⑥		
1	1	1	1	003-0807-0002	PIN CONTACT	BERYLLIUM COPPER PER QQ-C-530	③ ⑤		
⑤	1			003-1320-0004	HOUSING SUBASSY NUT .312" HEX		③ ④		
	1			003-1320-0003	HOUSING SUBASSY NUT .312" HEX		③ ③		
		1		003-1320-0002	HOUSING SUBASSY NUT .320" KNURLED		③ ②		
			1	003-1320-0001	HOUSING SUBASSY NUT .312" PARTIAL HEX		③ ①		
4	3	2	1		PART NUMBER	NOMENCLATURE	MATERIAL & SPEC	FINISH	ITEM
					DASH NO *				

8-1332149-6

UNLESS OTHERWISE SPECIFIED DIMENSIONS ARE IN INCHES TOLERANCES ARE: FRACTIONS DECIMALS ANGLES ± .XX ± .XXX ±		CONTRACT NO.		MALCO A MICRODOT COMPANY, INC. 220 PASADENA AVE., SO. PASADENA, CALIF. 91080	
MATERIAL		APPROVALS		DATE	
FINISH		DRAWN DRAGOLOVIC		4-10-78	
NEXT ASSY		CHECKED		PR. ENG. RAY	
APPLICATION		REPD.		4-10-78	
DO NOT SCALE DRAWING		SIZE		CODE IDENT NO.	
		B		98278	
		DRAWING NO.		132-0300-000*	
		SCALE		5/1	
		SHEET		1 OF	

单击下面可查看定价，库存，交付和生命周期等信息

[>>TE Connectivity\(泰科\)](#)