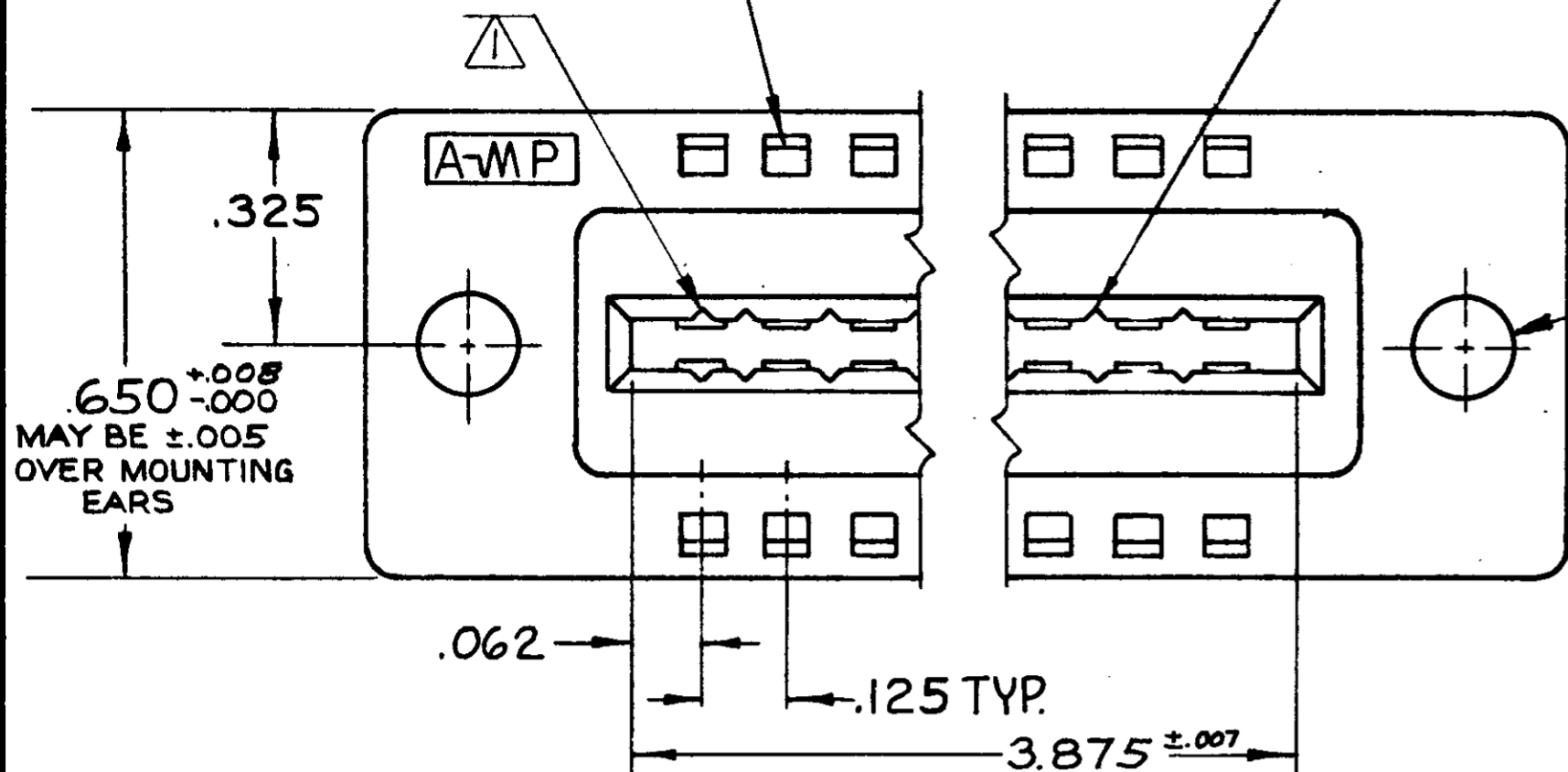


© 1964 BY AMP INCORPORATED. ALL RIGHTS RESERVED. AMP PRODUCTS COVERED BY PATENTS AND/OR PATENTS PENDING. APPROVED PER GOVT CONTRACT NO.

LOCATION FOR AMP-TAB FEMALE CONTACT

LOCATION FOR KEYING PLUG 582501-1 (FOR INTER-CONTACT KEYING)

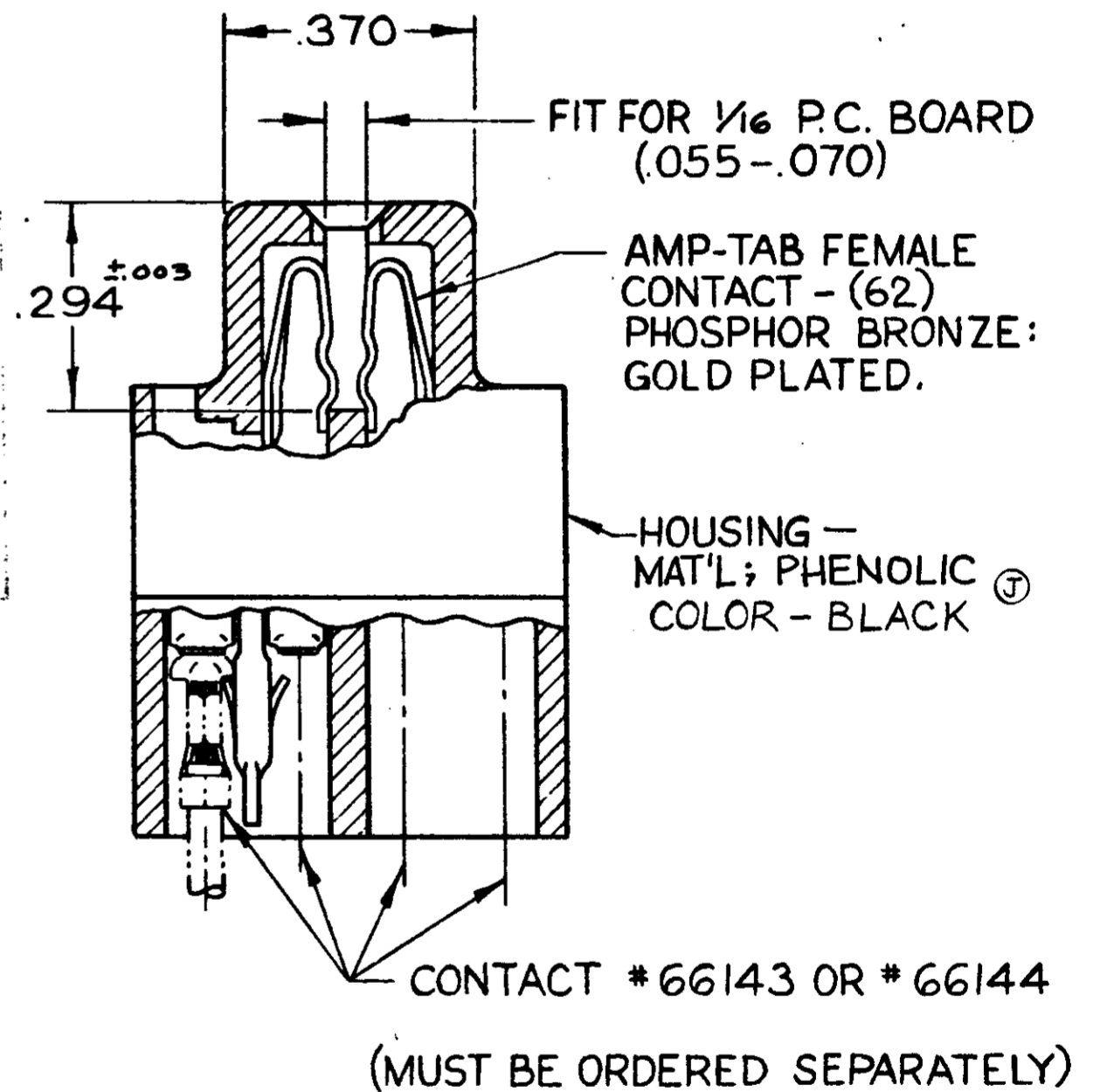
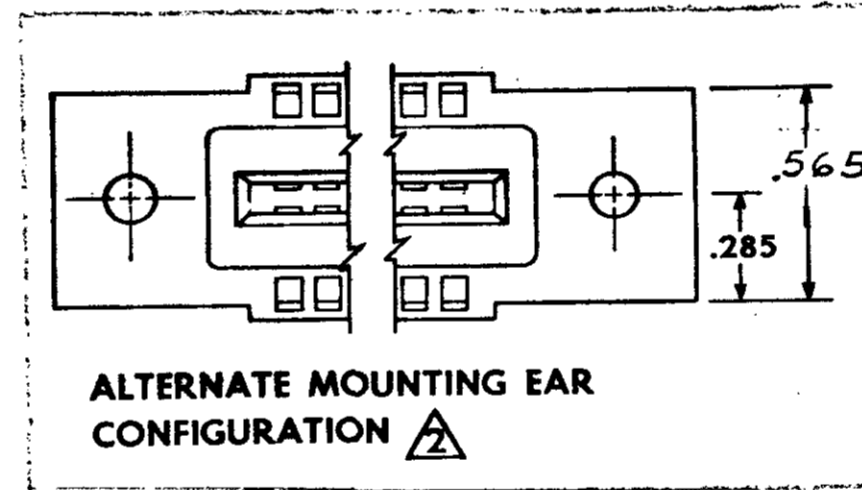
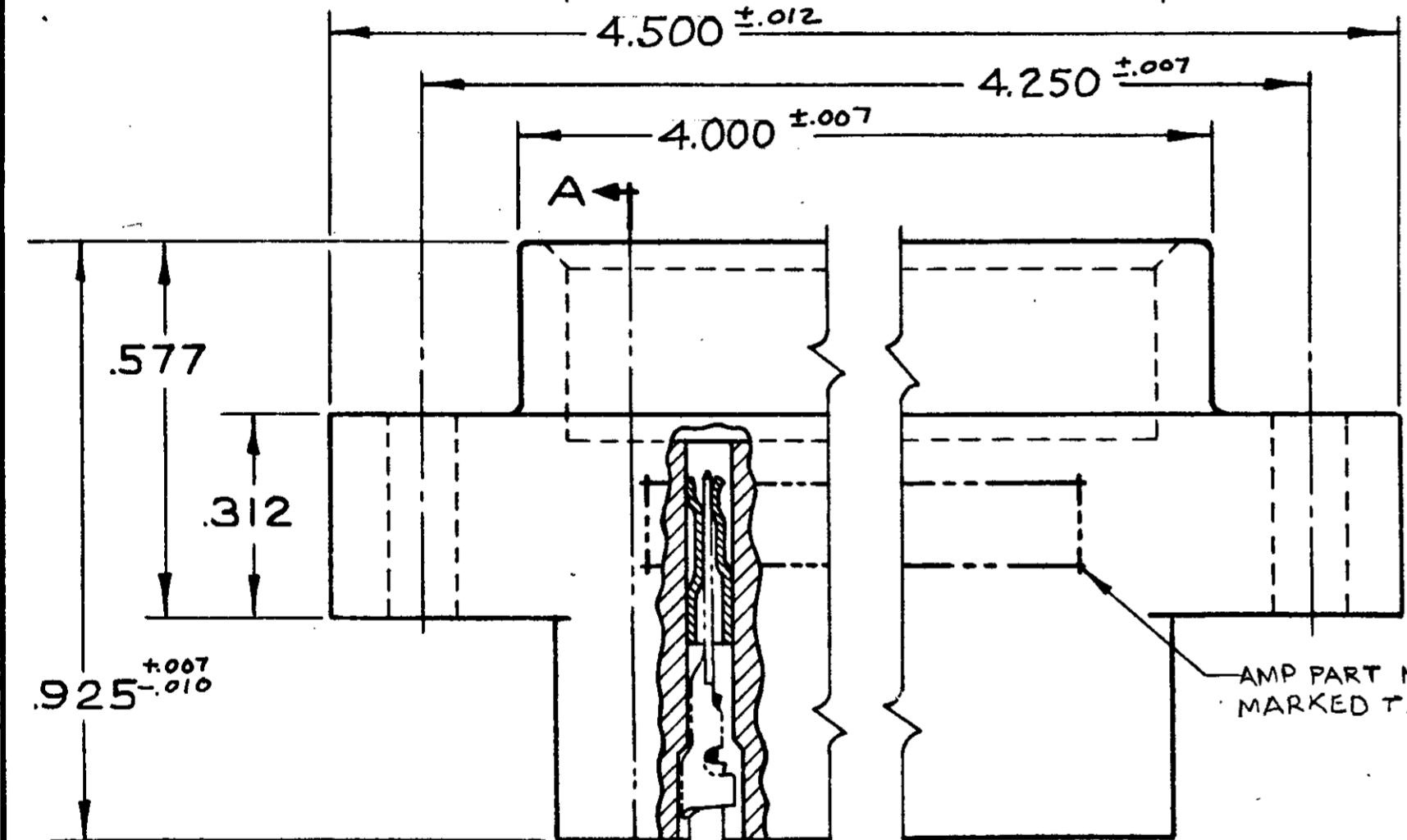
REVISIONS				
ZONE	LTR	DESCRIPTION	DATE	APPROVED
	N	ECO-08-020973	PY 11-08	JW



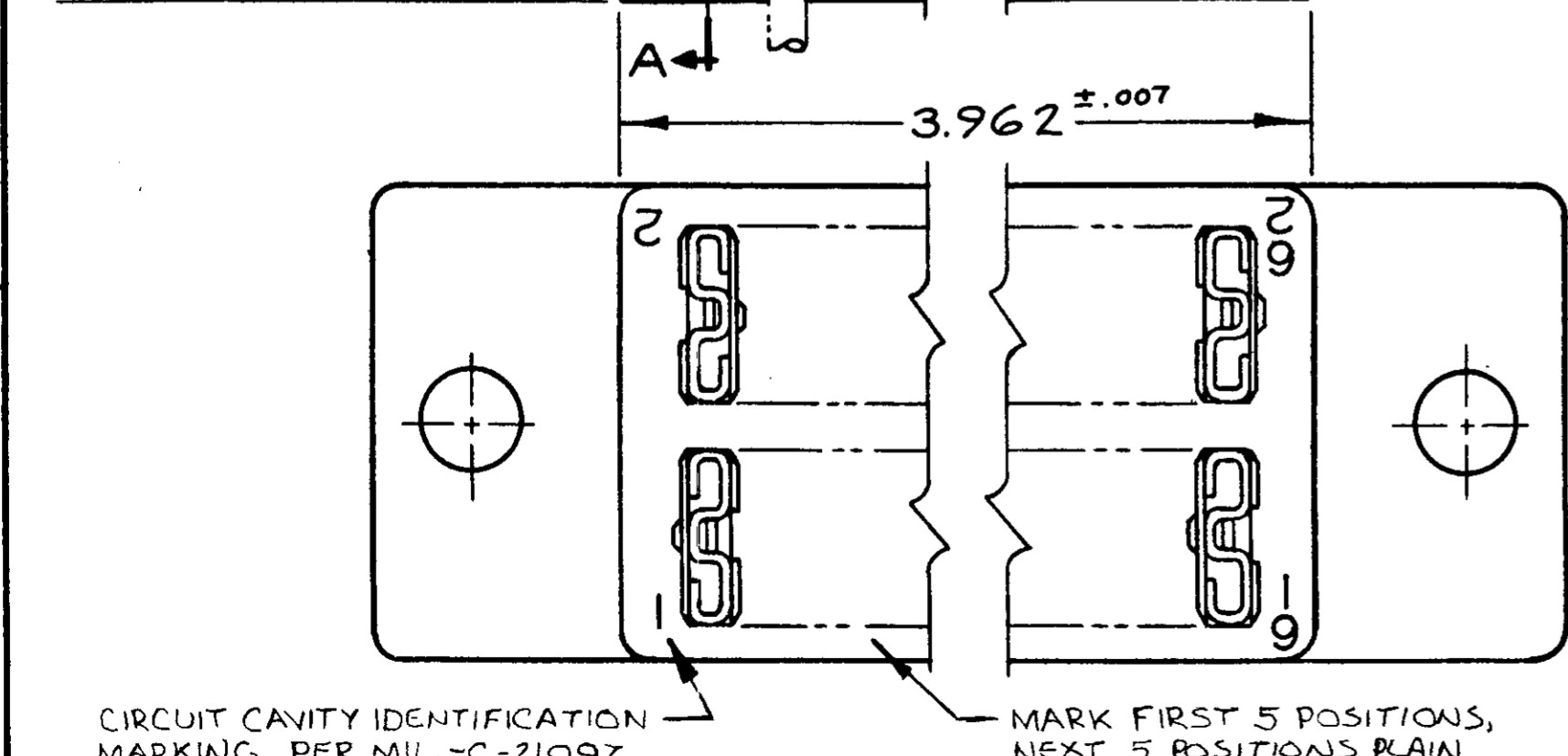
582722-1 I. AS SHOWN.

~~582722-2 SEE SHEET 2~~ **OBSOLETE**

- ▲ GROOVES FOR "ON CONTACT KEYING" AMP'S OPTION DEPENDING ON METHOD OF MANUFACTURE. FOR "ON CONTACT" KEYING USE KEYING PLUG P/N 583487-1. (MUST BE ORDERED SEPARATELY.)
- ▲ MOUNTING EAR CONFIGURATION AMP'S OPTION DEPENDS ON METHOD OF MANUFACTURE.
- 3. LASER MARKING ACCEPTABLE FOR ALL MARKING



SECTION A-A



AMP INFO	
LOC	PRINT DIST
DF	FO

UNLESS OTHERWISE SPECIFIED DIMENSIONS ARE IN INCHES TOLERANCES ON		CONTRACT NO.		AMP INCORPORATED HARRISBURG, PENNSYLVANIA	
FRACTIONS	DECIMALS	DR	DATE	AMP TRADE MARK	
±	±.005	J. Asich	5-13-67	31 POSITION AMP-TAB CONNECTOR .125 CENTERS QUAD	
ANGLES	±	CHK	DATE	NAME	
±	±	S. Verde	3/21/67	31 POSITION AMP-TAB CONNECTOR .125 CENTERS QUAD	
MATERIAL		DSGN ENGR	DATE	NUMBER	
SEE CALLOUT				582722	
HEAT TREAT		APPD	DATE	REV	
SEE CALLOUT		J. Kaufman	3/23/67	N	
		DSGN APPD	DATE	SCALE	
		R. Shuman	2/28/67	4-1	
FINISH		OTHER APPD		WT	
SEE CALLOUT				CALC	
				ACTUAL	
				SHEET	

CUSTOMER DRAWING

NUMBER CUS. 582722

单击下面可查看定价，库存，交付和生命周期等信息

[>>TE Connectivity\(泰科\)](#)