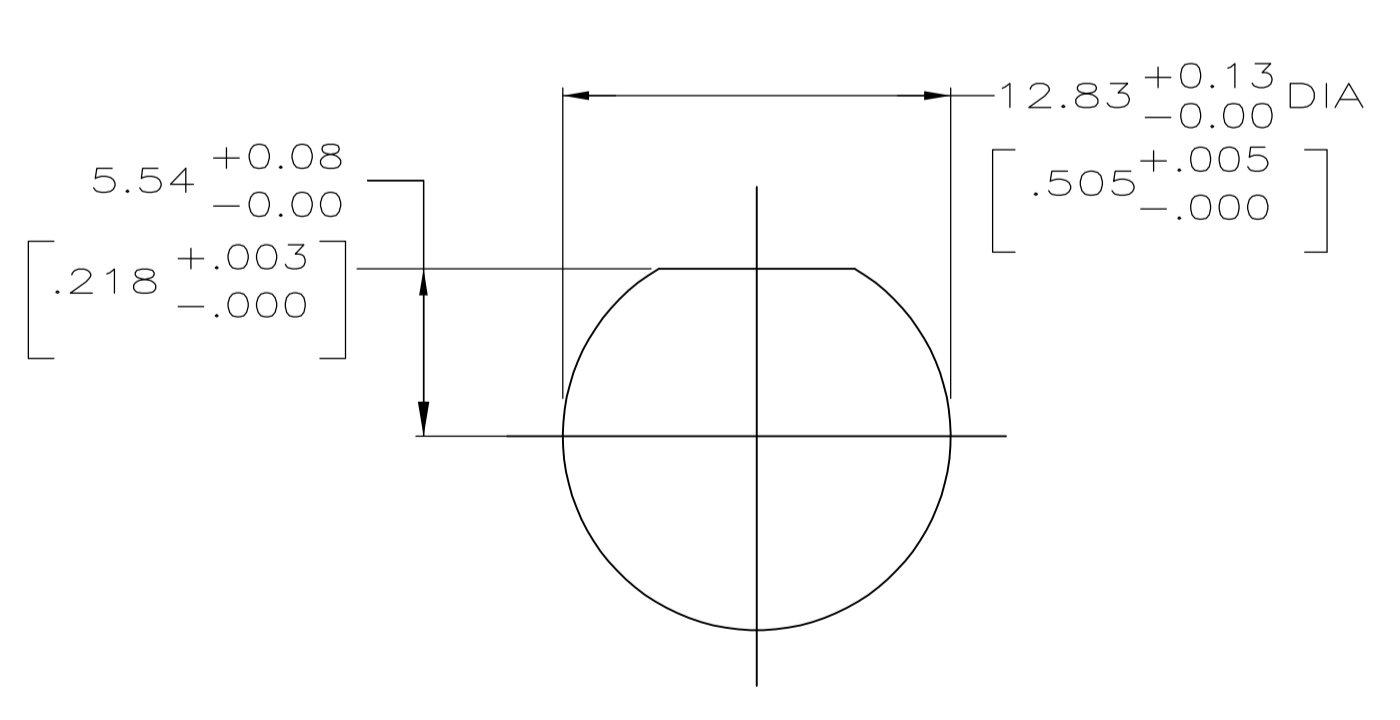
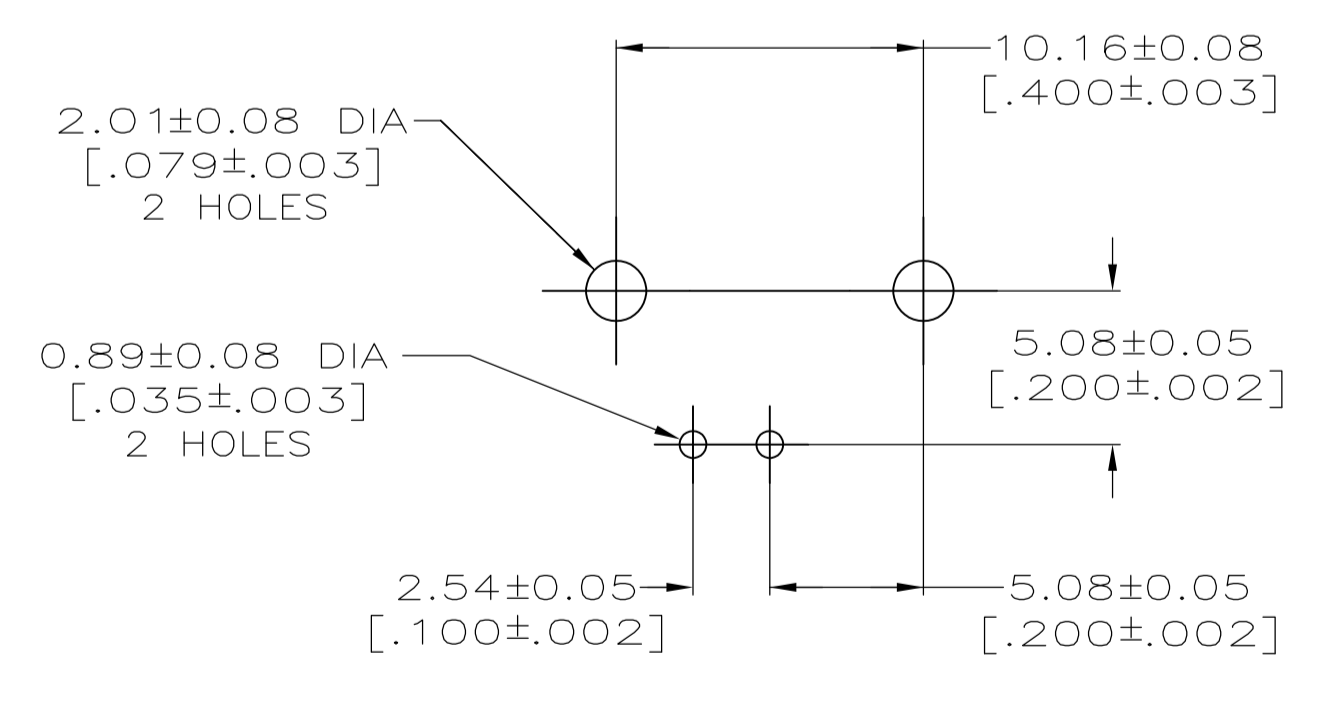


- 1 ZINC PER QQ-Z-363.
- 2 POLYMETHYLPENTENE, GENERAL PURPOSE.
- 3 BERYLLIUM COPPER PER QQ-C-530.
- 4 BRASS PER ASTM-B-453.
- 5 BRASS PER ASTM-B-16.
- 6 NICKEL PLATE PER QQ-N-290, 3.81 μm [.000150] MINIMUM THICK.
- 7 TIN PLATE PER ASTM-B-545, 3.81 μm [.000150] MINIMUM THICK.
- 8 GOLD PLATE PER ASTM-B-488, 0.76 μm [.000030] MINIMUM THICK.
- 9. SEE INSTRUCTION SHEET 408-2769.



RECOMMENDED PANEL CUTOUT



PCB CONFIGURATION

2.03 ±0.13 [.080 ±0.005]	2.29 ±0.13 [.090 ±0.005]	5414907-3
2.03 ±0.13 [.080 ±0.005]	2.79 ±0.25 [.110 ±0.010]	5414907-2
3.48 ±0.25 [.137 ±0.010]	4.11 ±0.43 [.162 ±0.017]	5414907-1
B	A	PART NUMBER

THIS DRAWING IS A CONTROLLED DOCUMENT.		DIN J. ALCORTA - DOCK5 26APR2005	 TE Connectivity
DIMENSIONS: mm [INCHES]		CHK J. HAVENER 26APR2005	
TOLERANCES UNLESS OTHERWISE SPECIFIED:		APVD J. LIPPERT 26APR2005	NAME JACK, RIGHT ANGLE, 75 OHM, LOW PROFILE, PCB, BNC
0 PLC ± - 1 PLC ± - 2 PLC ± 0.20 [.008] 3 PLC ± - 4 PLC ± - ANGLES ± -		APPLICATION SPEC	RESTRICTED TO
MATERIAL SEE NOTES 1 - 5		FINISH SEE NOTES 6 - 8	SIZE A1
CUSTOMER DRAWING		WEIGHT	SCALE 5:1 SHEET 1 OF 1 REV A1

单击下面可查看定价，库存，交付和生命周期等信息

[>>TE Connectivity\(泰科\)](#)