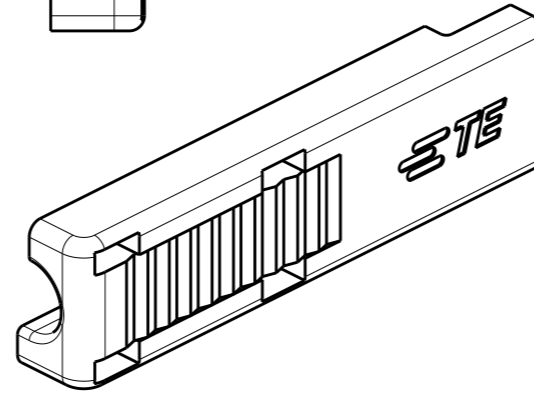
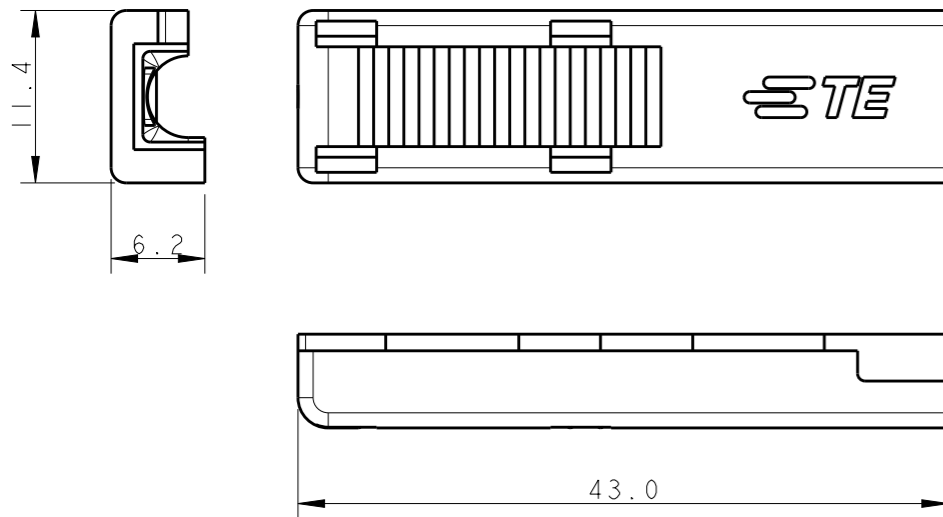
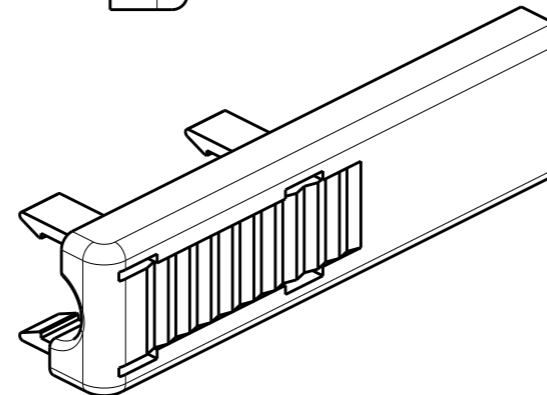
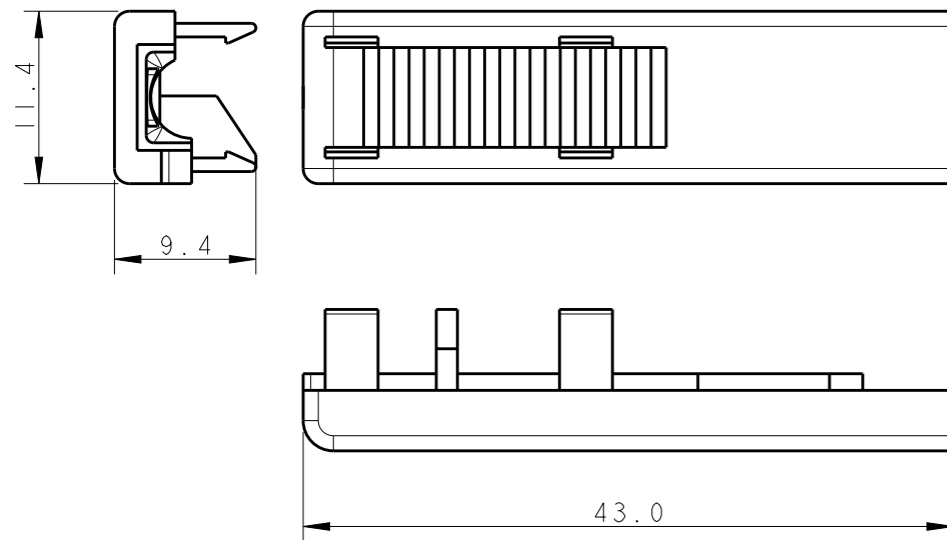


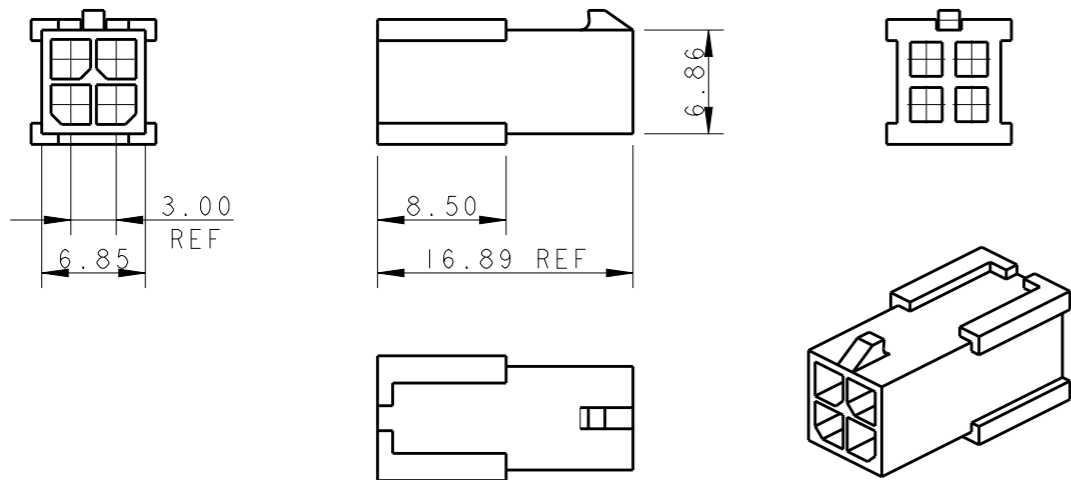
**COVERPART "A"**  
**P/N 293728-1**  
(PART NOT SALEABLE)



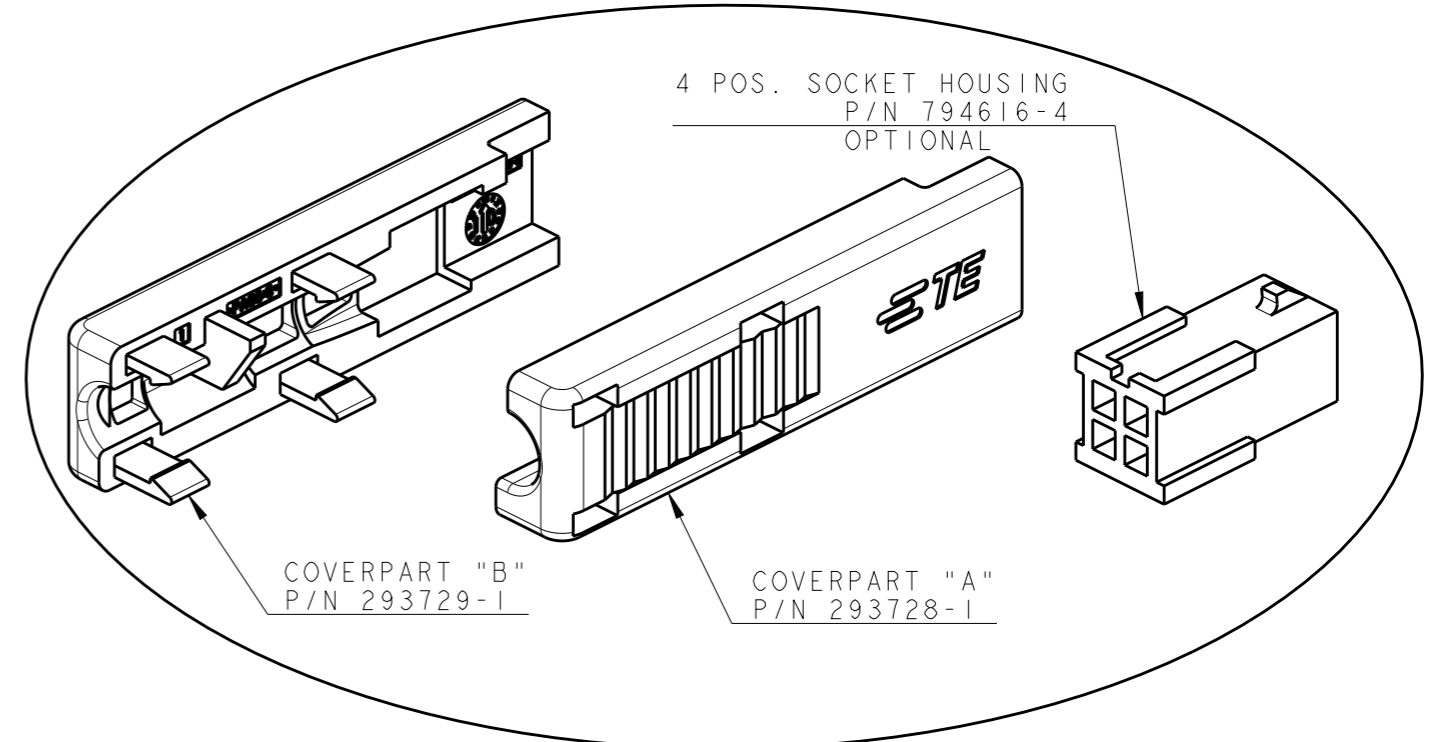
**COVERPART "B"**  
**P/N 293729-1**  
(PART NOT SALEABLE)



**4 POS. SOCKET HOUSING**  
**P/N 794616-4**



LOC	DIST	REVISIONS				
P	LTR	DESCRIPTION	DATE	DWN	APVD	
1	-	2	REVISD: GEOMETRY IMPROVEMENTS	02SEP2010	D.C.	G.T.
		3	REVISD: LOGO UPDATE FOR COVERPART "A"	25AUG2011	D.C.	G.T.
		A	RELEASED FOR PRODUCTION	20DEC2011	D.C.	G.T.
		AI	REVISD PER ECR-14-006523	12MAY2014	RS	DD



**4 POS. COVERPART**  
**P/N 293735**

- PACKAGING: CARTON BOX CONTAINING:
  - N°500 PIECES OF COVERPART "A" P/N 293728-1
  - N°500 PIECES OF COVERPART "B" P/N 293729-1
  - N°500 SOCKET HOUSINGS P/N 794616-4
- ADMITTED CABLES MUST HAVE EXTERNAL DIAMETER OF 5,0±0,2mm AND MUST BE OF THE FOLLOWING TYPE:
  - LiYY 4x0,34mm<sup>2</sup> (MAX. N°4 CONTACTS P/N 794608-1 MUST BE CRIMPED ON THIS CABLE)
  - LiYY 4x22AWG UL AWM STYLE 2464 / 1061 (MAX. N°4 CONTACTS P/N 794608-1 MUST BE CRIMPED ON THIS CABLE)

3 NOT RELEASED FOR PRODUCTION

-	293729-1	293728-1	293735-2	3
794616-4	293729-1	293728-1	293735-1	
PLUG HSG	COVER PART "B"	COVER PART "A"	PART NUMBER	

<small>THIS DRAWING IS A CONTROLLED DOCUMENT FOR TYCO ELECTRONICS CORPORATION IT IS SUBJECT TO CHANGE AND THE CONTROLLING ENGINEERING ORGANIZATION SHOULD BE CONTACTED FOR THE LATEST REVISION.</small>		DWN 23JUN2010 D. CHIARELLI CHK 23JUN2010 D. CHIARELLI APVD 23JUN2010 G. TURCO		Tyco Electronics AMP Italia S.r.l. C.so F.lli Cervi, 15 - Collegno (TO)	
DIMENSIONS: mm		TOLERANCES UNLESS OTHERWISE SPECIFIED: 0 PLC ±0.5 1 PLC ±0.3 2 PLC ±0.2 3 PLC ± 4 PLC ± ANGLES ±°		NAME <b>4 POS. COVERPART FOR          4 POS. MICRO MATE-N-LOK          SOCKET HOUSING P/N 794616-4</b>	
MATERIAL NYLON, UL94-V0 BLACK		FINISH -		PRODUCT SPEC 108-20314 APPLICATION SPEC 114-20157 WEIGHT -	
Customer Drawing		SCALE 2:1		SHEET 1 OF 1 REV AI	

单击下面可查看定价，库存，交付和生命周期等信息

[>>TE Connectivity\(泰科\)](#)