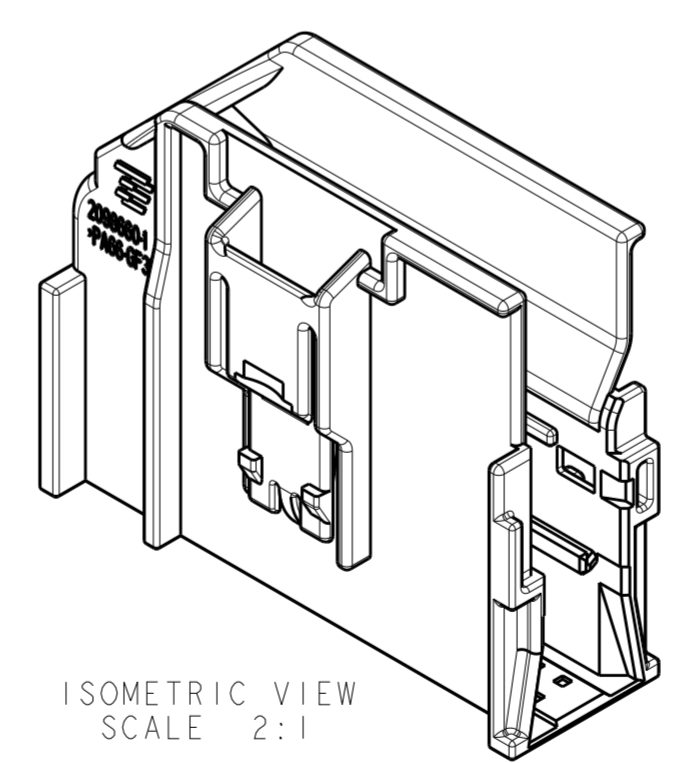
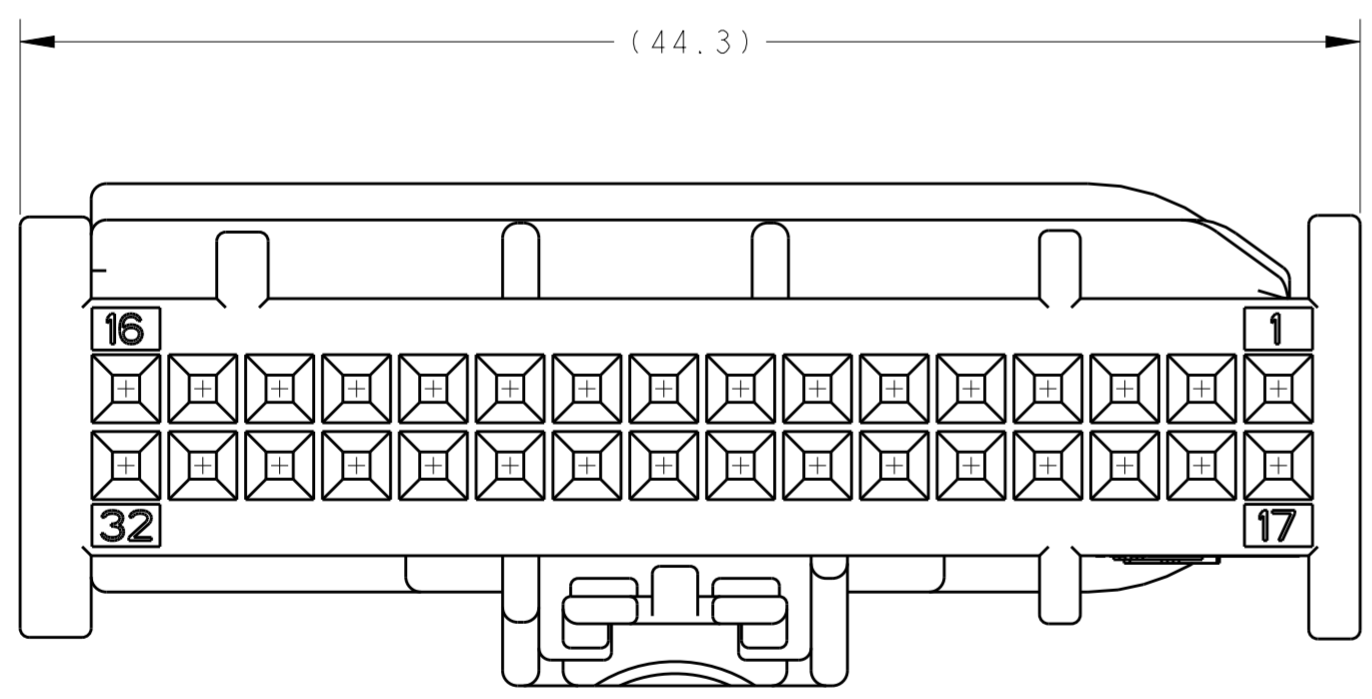
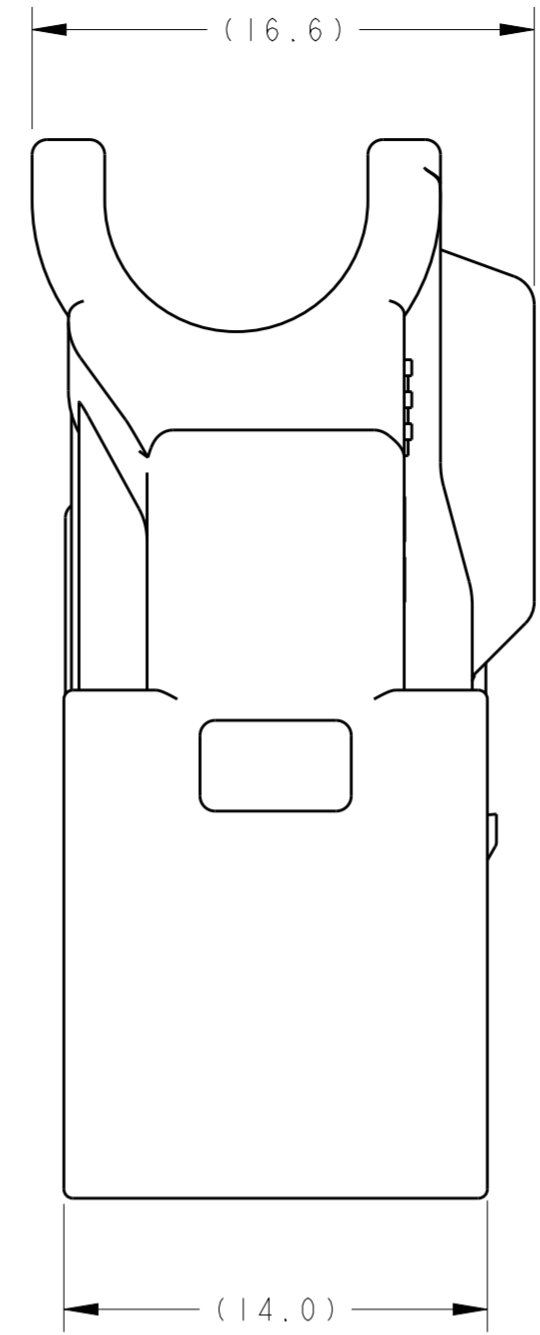
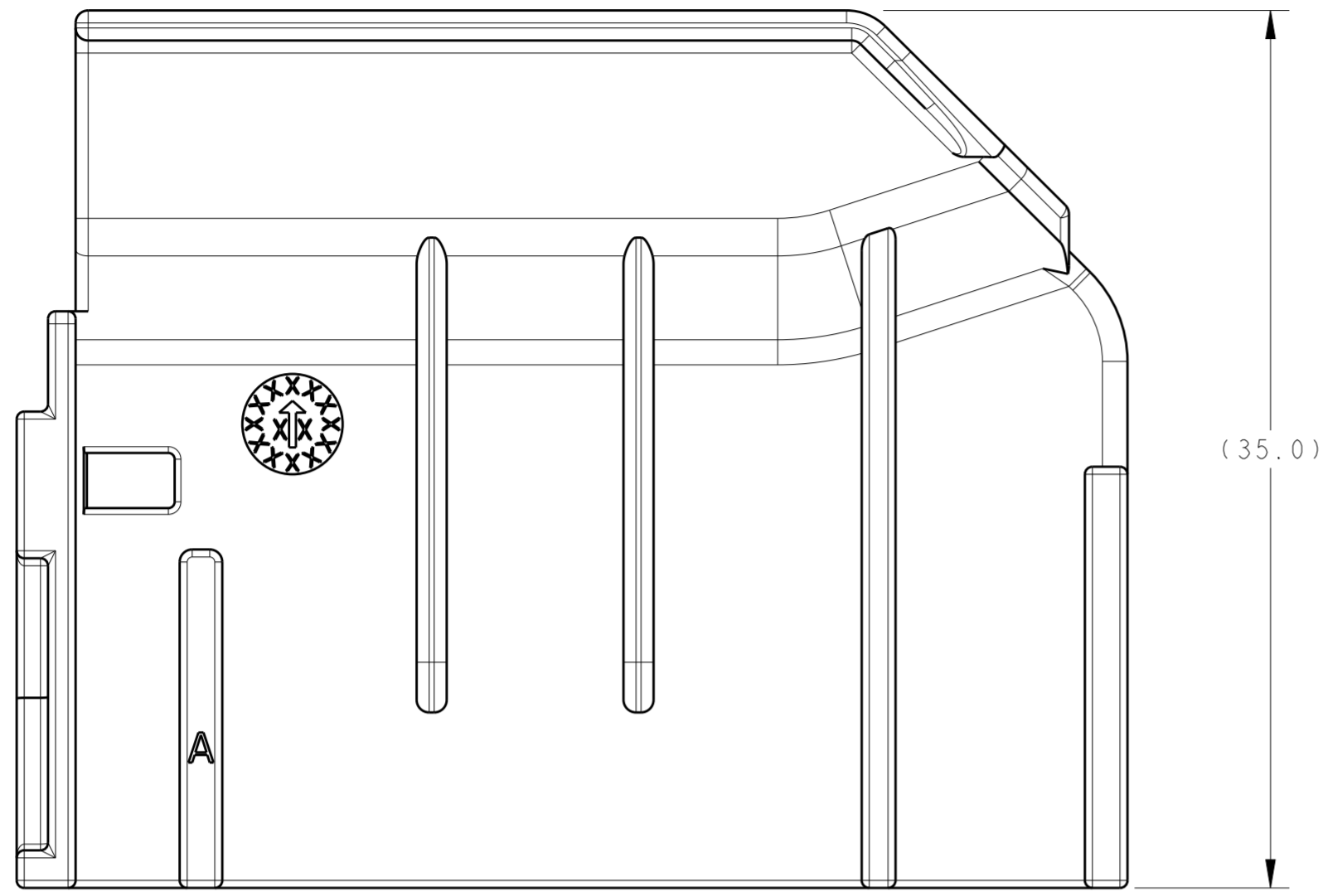


THIS DRAWING IS UNPUBLISHED. RELEASED FOR PUBLICATION 20
 © COPYRIGHT 20 ALL RIGHTS RESERVED.

LOC	DIST	REVISIONS			
P	LTR	DESCRIPTION	DATE	DWN	APVD
IN	00				
	I	FIRST DRAFT	25MAR2010	VSS	GM
	A	REV PER ECO-11-015187	29JUL2011	SR	GM
	B	REV PER ECR-12-013288	24JUL2012	MBH	GM



KEYING (SCALE 2:1)	COLOR	PART NUMBER
<p>CODE C</p>	BLUE	2098660-3
<p>CODE B</p>	GRAY	2098660-2
<p>CODE A</p>	BLACK	2098660-1

- SHIELD ACCEPTS CARRIER PART NUMBER 2098216-1
- MATERIAL: NYLON 6/6, 30%-35% GLASS FILLED, COLOR: SEE TABLE

THIS DRAWING IS A CONTROLLED DOCUMENT.

DWN S. VINAY 25MAR2010	 TE Connectivity	NAME SHIELD, 32 POSITION PLUG, GENERATION Y		
CHK M. GALEN 25MAR2010		SIZE	CAGE CODE	
APVD M. GALEN 25MAR2010		DRAWING NO. A200779C-2098660		RESTRICTED TO
PRODUCT SPEC -		SCALE 4:1	SHEET 1 OF 1	REV B
TOLERANCES UNLESS OTHERWISE SPECIFIED:	CUSTOMER DRAWING			
0 PLC ±-				
1 PLC ±0.3				
2 PLC ±0.20				
3 PLC ±-				
4 PLC ±-				
ANGLES ±1°				
FINISH				

单击下面可查看定价，库存，交付和生命周期等信息

[>>TE Connectivity\(泰科\)](#)