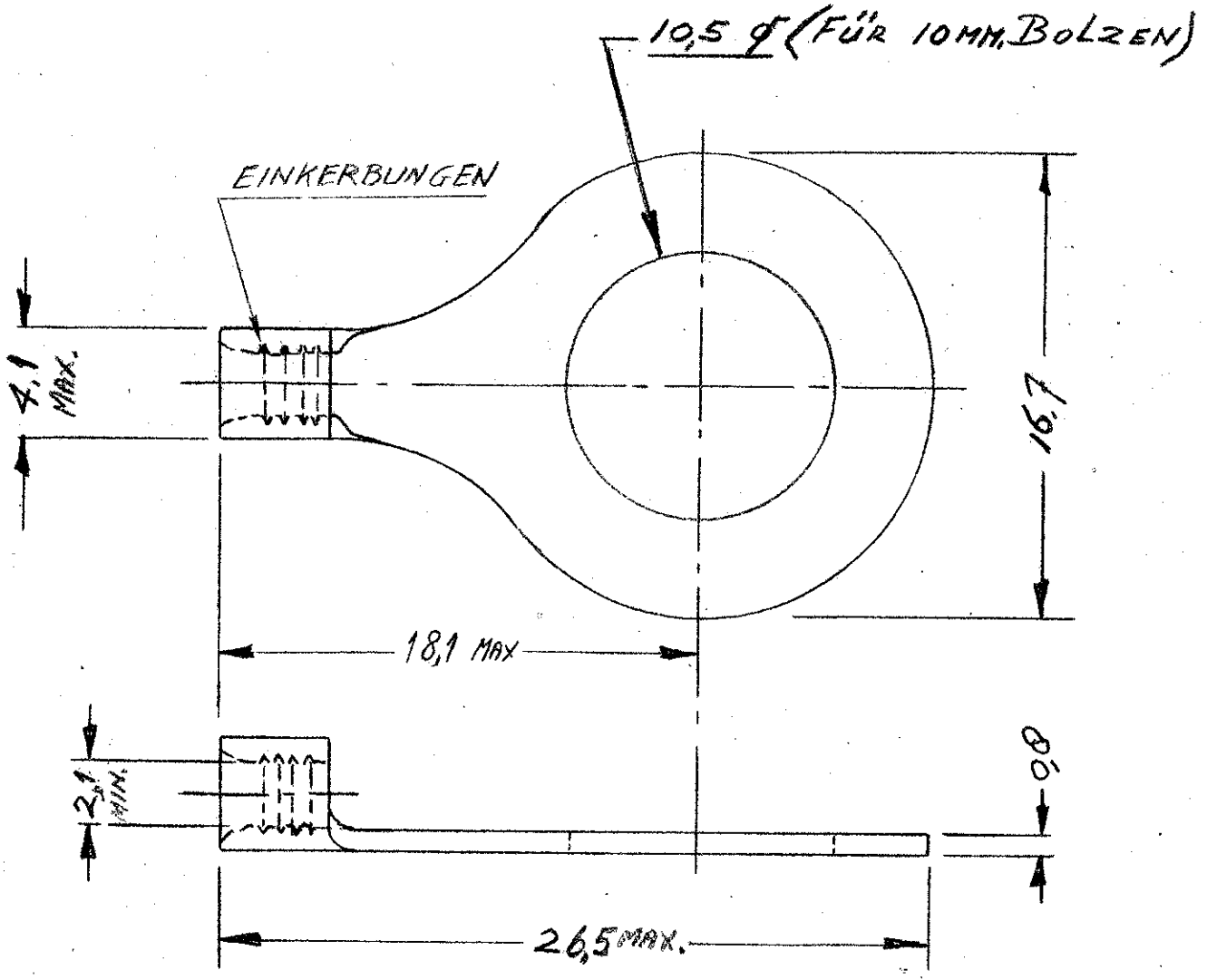


160140-D

SED ON



CUSTOMER COPY
FOR REFERENCE ONLY

MATERIAL: *KUPFER*
 HEAT TREATMENT: *N*
 FINISH: *VERZINNT*

AMP-HOLLAND N.V. 's-HERTOGENBOSCH, HOLLAND.	
<i>KABELSCHUH</i>	
<i>SOLISTRAND</i>	
CLASS <i>RINGZUNGE</i>	
TYPE <i>B5</i>	
SIZE <i>1,0 - 2,6 MM²</i>	
TOLERANCES-ALL DIMENSIONS ± EXCEPT AS NOTED	

A	REVISED	17/12-64	BY	N.D.C.	
No.	ALTERATION	DATE	BY	N.D.C.	
DR. W. BOTS	7-20/64	TR.			
CK.		APP.			

SCALE: *1-1* *G-160140-D*

单击下面可查看定价，库存，交付和生命周期等信息

[>>TE Connectivity\(泰科\)](#)