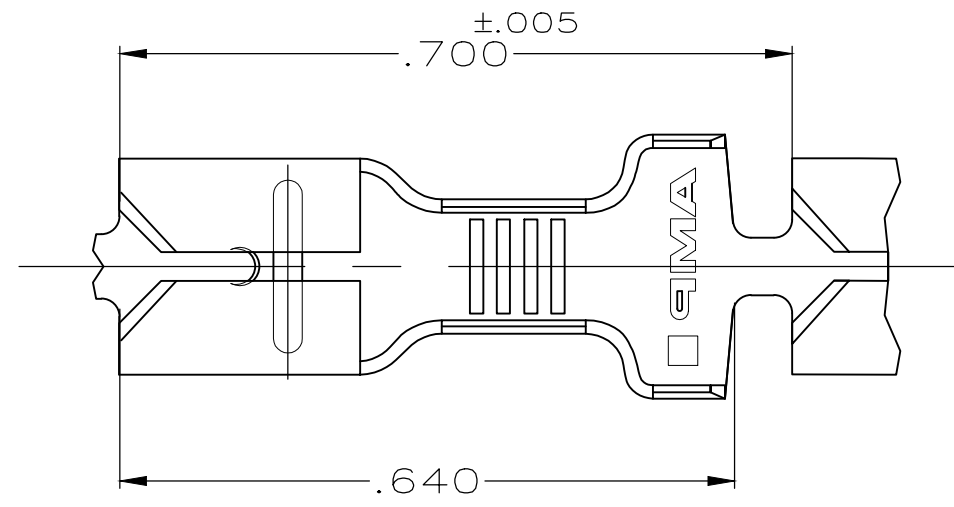


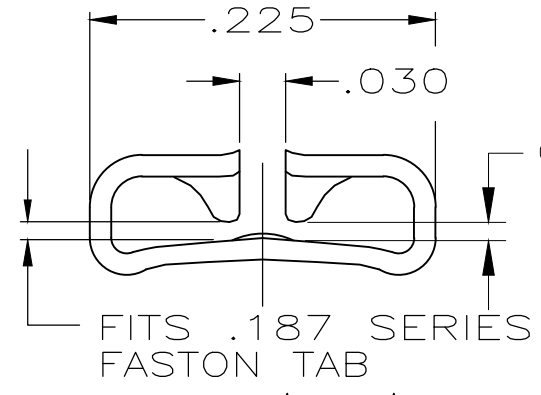
THIS DRAWING IS UNPUBLISHED. RELEASED FOR PUBLICATION  
 © COPYRIGHT - By - ALL RIGHTS RESERVED.

LOC	DIST	REVISIONS			
P	LTR	DESCRIPTION	DATE	DWN	APVD
AF	50	D1	REVISED PER ECR-20-009164	5AUG2020	MK DH

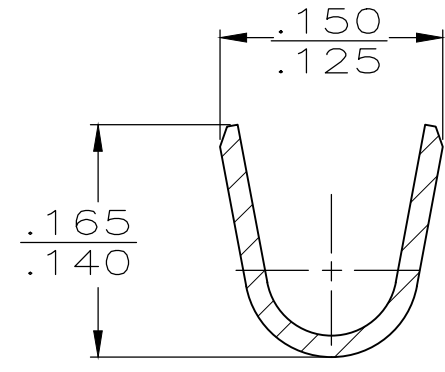
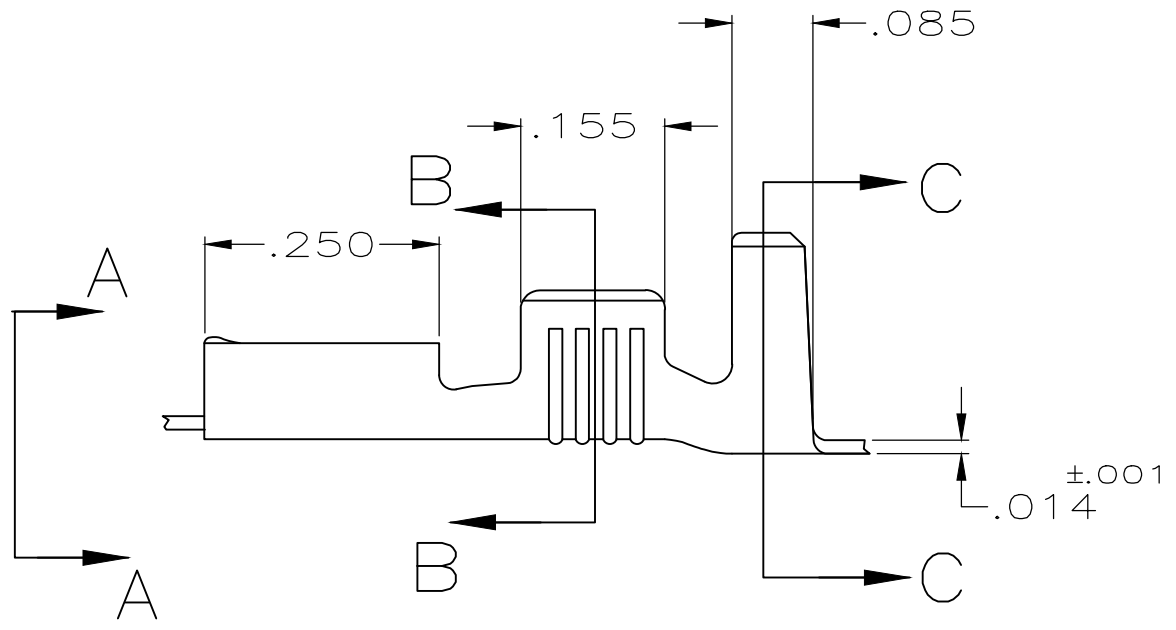


1 CONTINUOUS STRIP ON REELS.

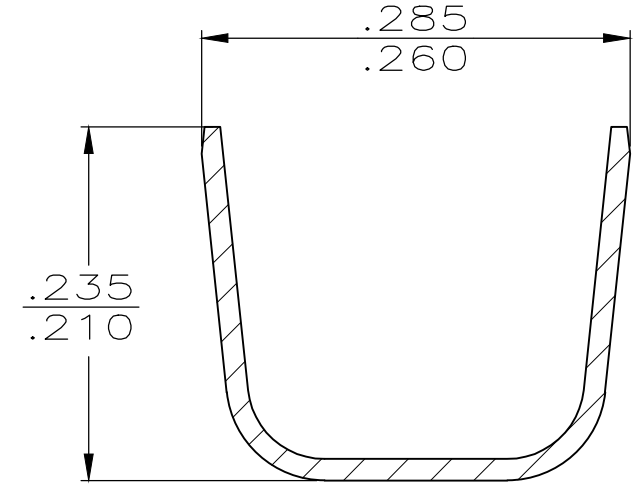
△ 2 FINISH:  
 63596-1 PLAIN  
 63596-2 PRE-TIN



FITS .187 SERIES FASTON TAB  
 VIEW A-A  
 SCALE 8:1



SECTION B-B  
 SCALE 8:1



SECTION C-C  
 SCALE 8:1

.180 - .230 OR (2) .110 MAX		18-14 OR (2) #16'S		.033-.030		63596-2 63596-1	
INSUL RANGE		WIRE SIZE		MATING TAB THK		PART NO	
THIS DRAWING IS A CONTROLLED DOCUMENT.		DWN JR RUTH 10/4/90		TE Connectivity RECEPTACLE, FASTON,™ .187 SERIES			
DIMENSIONS: INCHES		CHK MS FEHER 10/4/90					
TOLERANCES UNLESS OTHERWISE SPECIFIED:		APVD C MEYERS 10/4/90		NAME			
0 PLC ± -		PRODUCT SPEC		SIZE			
1 PLC ± -		APPLICATION SPEC		CAGE CODE			
2 PLC ± -		-		DRAWING NO			
3 PLC ± .010		-		RESTRICTED TO			
4 PLC ± -		-		A300779 C-63596			
ANGLES ± -		WEIGHT -		SCALE 5:1			
MATERIAL BRASS		FINISH △ 2		SHEET 1 OF 1			
		CUSTOMER DRAWING		REV D1			

单击下面可查看定价，库存，交付和生命周期等信息

[>>TE Connectivity\(泰科\)](#)