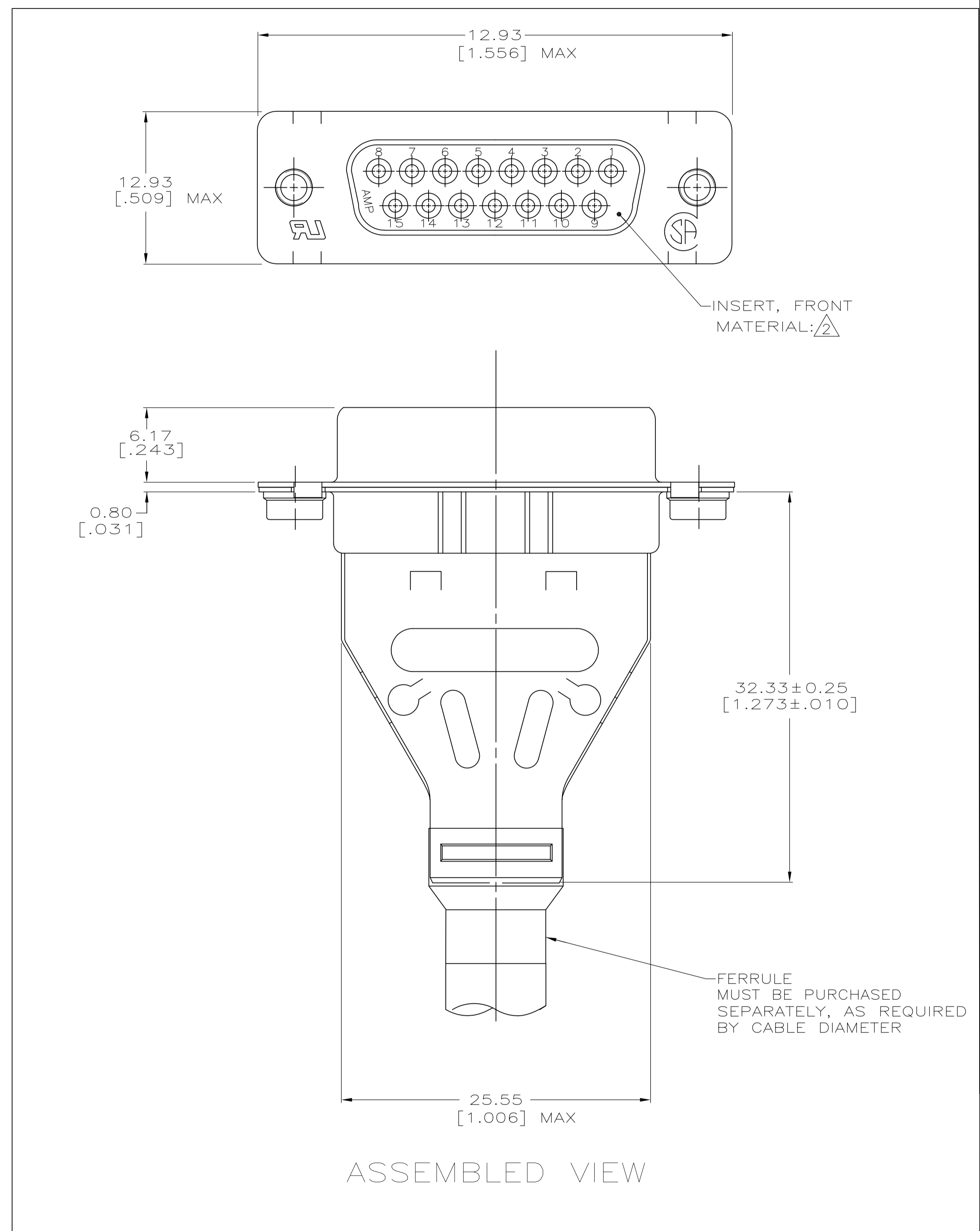
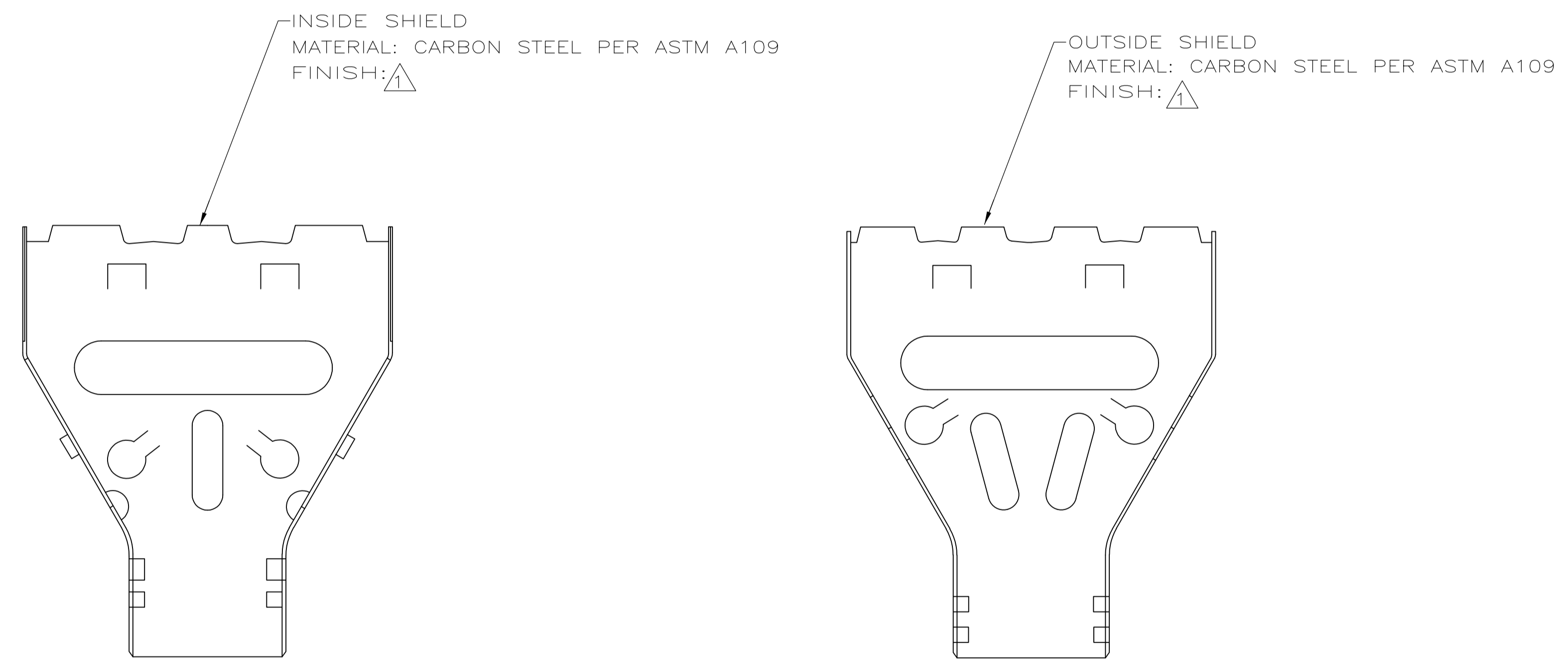
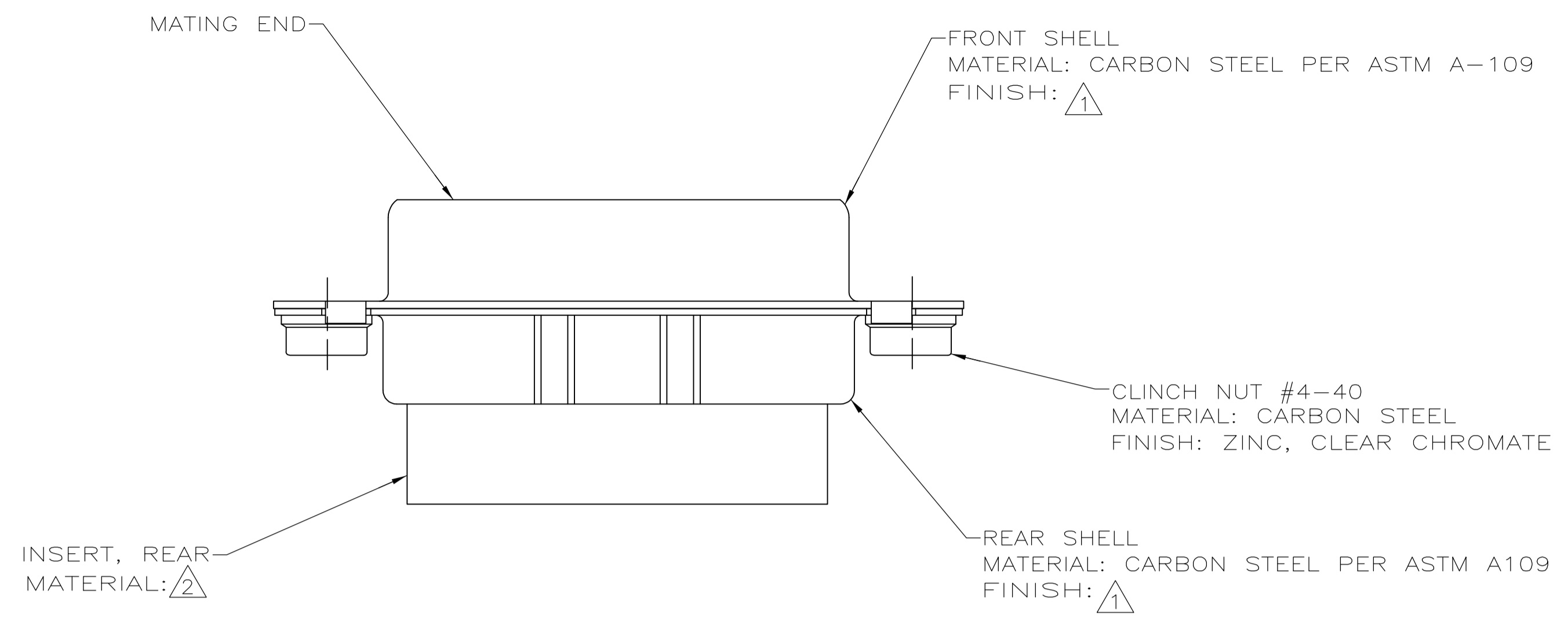


| LOC |             | DIST          |           | REVISIONS |     |     |      |
|-----|-------------|---------------|-----------|-----------|-----|-----|------|
| GP  | 00          | REV           | DATE      | BY        | APP | REV | DATE |
| A   | REVISED PER | ECO-14-011808 | 12AUG2014 | AP        | SB  |     |      |



- 1 5.08µm [.000200] MIN TIN OVER 2.54µm [.000100] MIN COPPER.
- 2 GLASS-FILLED PBT OR GLASS-FILLED NYLON, UL94V-0 RATED. COLOR: BLACK.

5787908-1  
PART NO

|                                        |                     |                                        |               |                                                                                  |              |
|----------------------------------------|---------------------|----------------------------------------|---------------|----------------------------------------------------------------------------------|--------------|
| THIS DRAWING IS A CONTROLLED DOCUMENT. |                     | DIN G. ATTADIA - 11-12-04              |               | STE TE Connectivity                                                              |              |
| DIMENSIONS: mm [INCHES]                |                     | TOLERANCES UNLESS OTHERWISE SPECIFIED: |               | NAME: M. WALMSLEY                                                                |              |
| 0. PLC                                 | ± -                 | 1. PLC                                 | ± -           | RECEPTACLE KIT, UNASSEMBLED, 15 POSN, SIZE 2, WITH CLINCH NUTS, HDP-20 AMPLIMITE |              |
| 1. PLC                                 | ± -                 | 2. PLC                                 | ± 0.13 [.005] | PRODUCT SPEC 108-40005 & 108-40030                                               |              |
| 2. PLC                                 | ± -                 | 3. PLC                                 | ± -           | APPLICATION SPEC 114-40030                                                       |              |
| 3. PLC                                 | ± -                 | 4. PLC                                 | ± -           | SIZE                                                                             | 114-40030    |
| 4. PLC                                 | ± -                 | ANGLES                                 | ± -           | CAGE CODE                                                                        | 00779        |
| MATERIAL SEE CALLOUTS                  | FINISH SEE CALLOUTS | WEIGHT                                 | -             | DRAWING NO                                                                       | 5787908      |
| CUSTOMER DRAWING                       |                     |                                        | SCALE         | 4:1                                                                              | SHEET 1 OF 1 |

单击下面可查看定价，库存，交付和生命周期等信息

[>>TE Connectivity\(泰科\)](#)