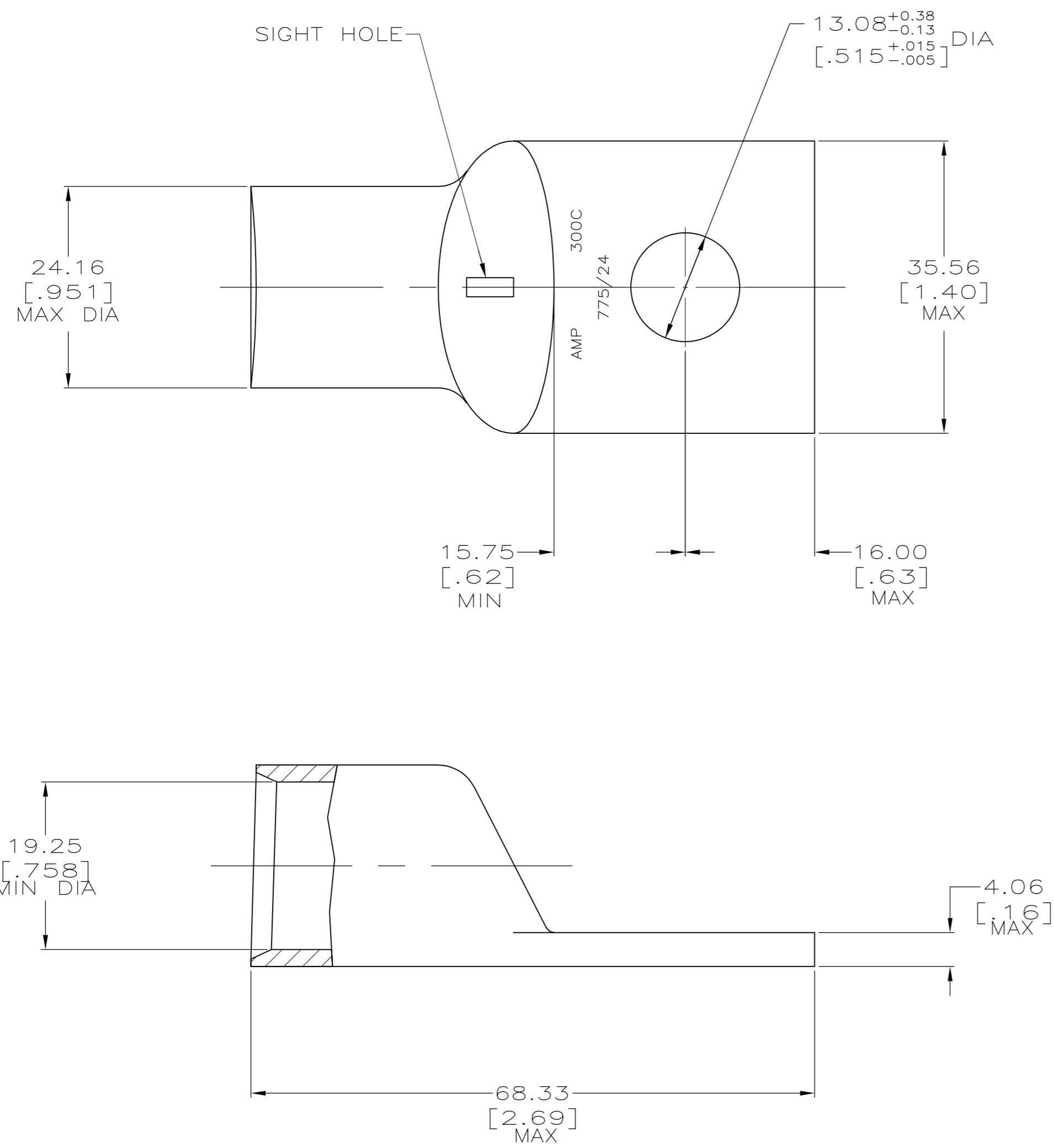


THIS DRAWING IS UNPUBLISHED. RELEASED FOR PUBLICATION
 © COPYRIGHT BY TYCO ELECTRONICS CORPORATION. ALL INTERNATIONAL RIGHTS RESERVED.

| LOC | DIST | REVISIONS | | | | | |
|-----|------|-----------|-----|-----------------------|---------|-----|------|
| | | P | LTR | DESCRIPTION | DATE | DWN | APVD |
| G | 86 | | Z | REV PER ECR 05-012008 | 09JUN08 | JR | MS |



- 1 CIRCULAR MIL AREA RANGE: 275-325 MCM
- 2 TIN PL 0.00381[.000150] MIN THK PER ASTM B-545
- 3 NO SIGHT HOLE
- 4 STAMP FOR MANUFACTURING LOCATION PERMISSIBLE.

3 4 325805-1
 325805
 PART NO.

| | | | | |
|--|--|-------------------------|---|--|
| THIS DRAWING IS A CONTROLLED DOCUMENT. | | DWN DK SCHRUM 02/28/90 | Tyco Electronics Corporation Harrisburg, PA 17105-3608 | |
| DIMENSIONS: MM [INCHES] | | CHK MS FEHER 23JAN95 | NAME | |
| TOLERANCES UNLESS OTHERWISE SPECIFIED: | | APVD TL SHUTTER 23JAN95 | PRODUCT SPEC | |
| 0 PLC ± - | | APPLICATION SPEC | | |
| 1 PLC ± - | | 108-30200 | | |
| 2 PLC ± 0.51[.020] | | - | | |
| 3 PLC ± - | | WEIGHT .154 LB | | |
| 4 PLC ± - | | A2 00779 C=325805 | | |
| ANGLES ± - | | SCALE 2:1 | | |
| FINISH | | SHEET 1 of 1 | | |
| ANNEALED COPPER PER ASTM B-75 | | REV Z | | |
| CUSTOMER DRAWING | | RESTRICTED TO | | |

单击下面可查看定价，库存，交付和生命周期等信息

[>>TE Connectivity\(泰科\)](#)