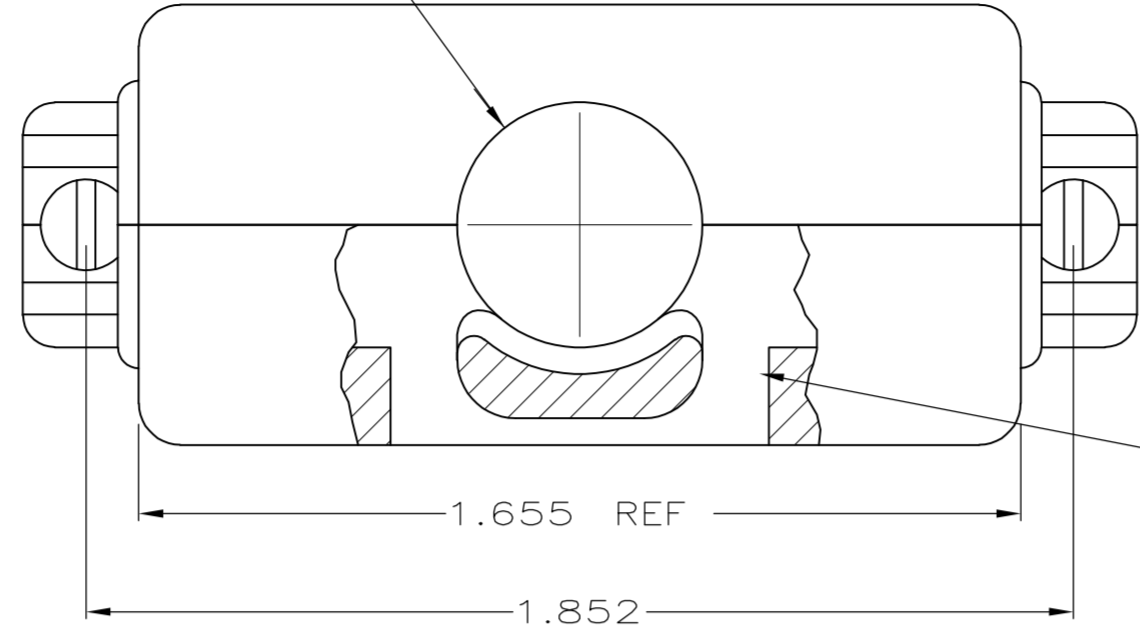


THIS DRAWING IS UNPUBLISHED. RELEASED FOR PUBLICATION  
 © COPYRIGHT 2006 By - ALL RIGHTS RESERVED.

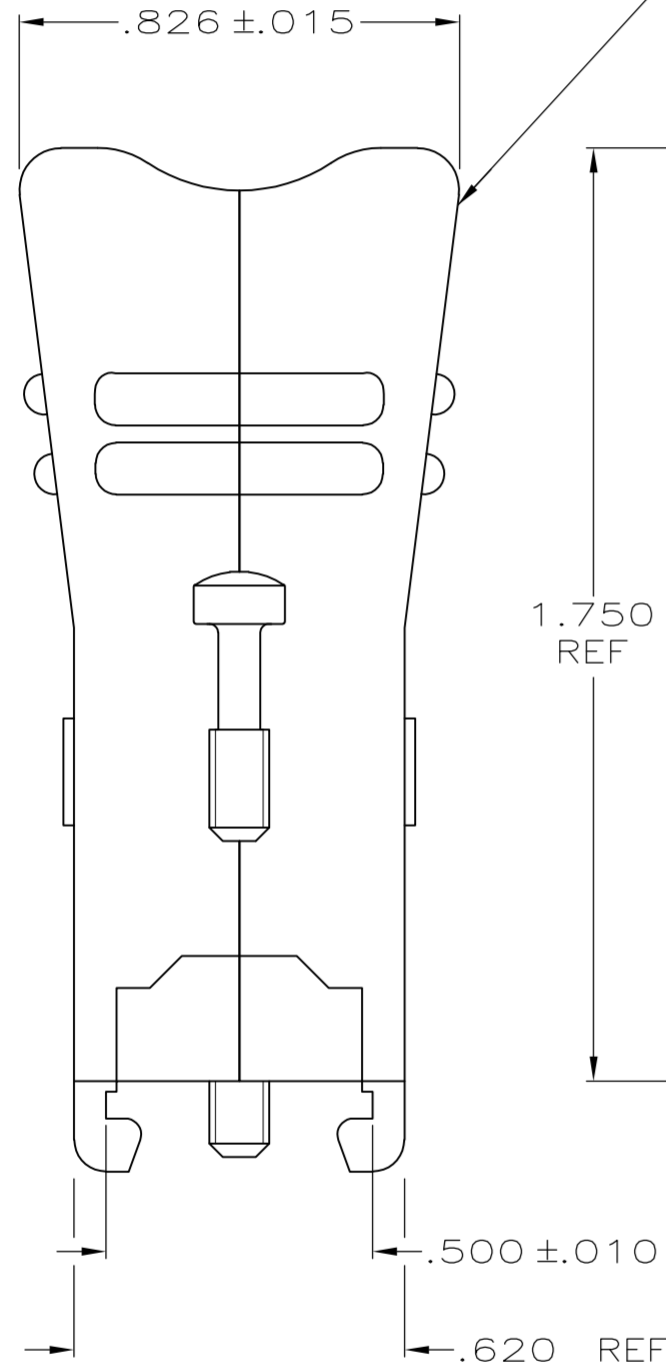
LOC	DIST	REVISIONS			
P	LTR	DESCRIPTION	DATE	DWN	APVD
GP	00				
P		REVISED PER ECO-11-004835	11MAR11	RK	HMR

.335 MAX DIA  
CABLE OPENING

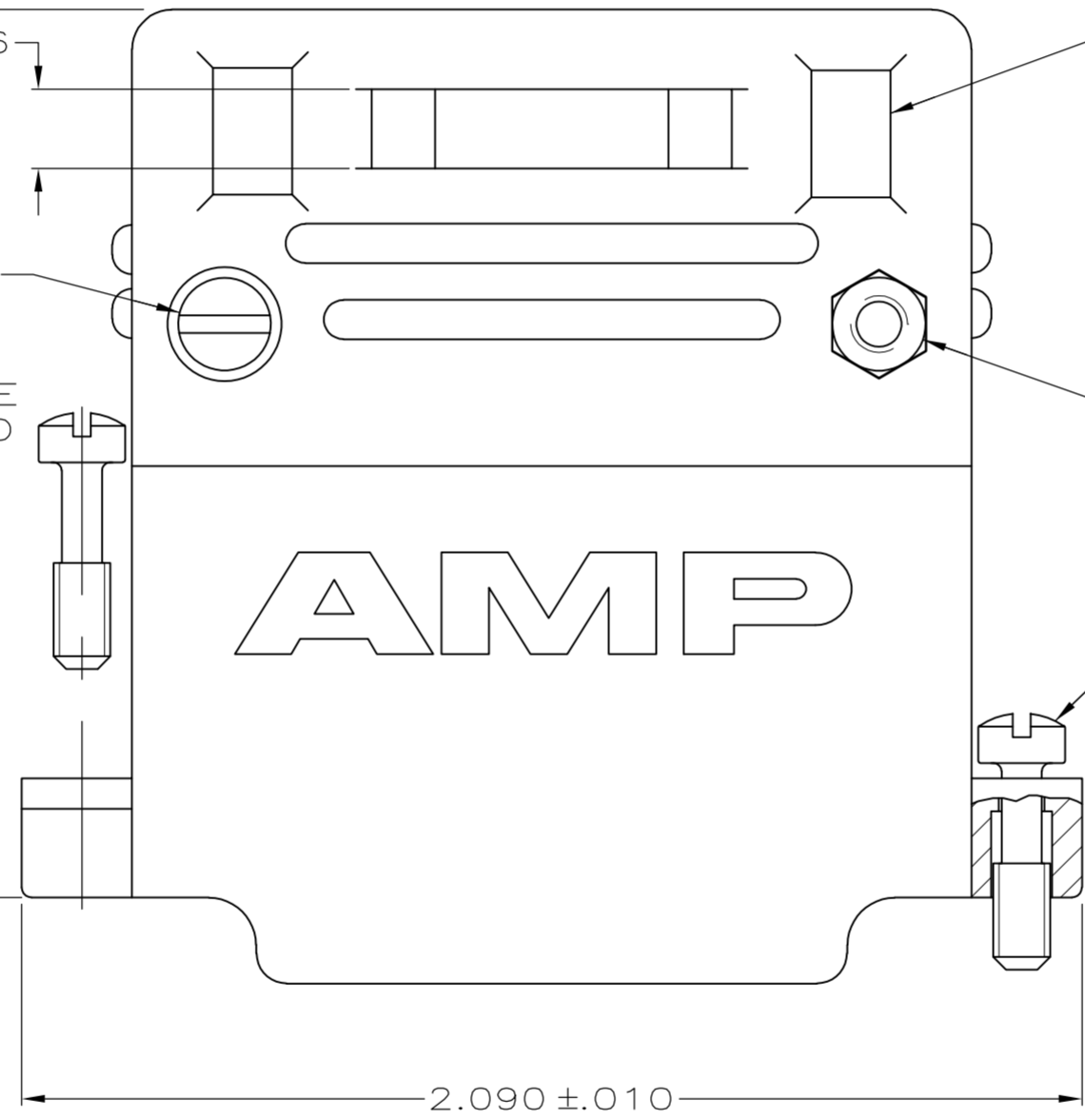


INTERNAL CABLE  
TIE OPENINGS

TWO PIECE CABLE  
SUPPORT HOUSING.  
MATERIAL: THERMOPLASTIC, GRAY



#4-40 STEEL,  
SCREW,  
ZINC PLATED,  
CLEAR CHROMATE  
COATED, 2-REQD



EXTERNAL CABLE  
TIE OPENINGS

#4-40 HEX NUT, STEEL,  
ZINC PLATED CLEAR CHROMATE COATED

#4-40 CRS SCREW,  
ZINC PLATED, 2 REQD  
YELLOW CHROMATE COATED

AMP

1. THIS PART WILL FIT ANY STANDARD SIZE 3 PLUG OR RECEPTACLE IN THE AMPLIMITE SERIES.
2. ALL PARTS ARE PACKAGED UNASSEMBLED.

1 KIT PER POLY BAG	5206472-1
PACKAGING	PART NUMBER

THIS DRAWING IS A CONTROLLED DOCUMENT.		DWN R.RICHARDSON 31AUG05	TE Connectivity	
DIMENSIONS: INCHES		CHK C.ROHDE 31AUG05	NAME	
TOLERANCES UNLESS OTHERWISE SPECIFIED:		APVD M. WALMSLEY 31AUG05	CABLE CLAMP ASSEMBLY, 180 DEG , SIZE 3, 25 POSITION, AMPLIMITE HD-20	
0 PLC ± - 1 PLC ± - 2 PLC ± - 3 PLC ± .005 4 PLC ± - ANGLES ± -		PRODUCT SPEC	SIZE	RESTRICTED TO
MATERIAL SEE CALLOUTS		FINISH SEE CALLOUTS	CAGE CODE A2 00779	DRAWING NO C=5206472
		WEIGHT -	SCALE 3:1	SHEET 1 of 1
		CUSTOMER DRAWING	REV P	

单击下面可查看定价，库存，交付和生命周期等信息

[>>TE Connectivity\(泰科\)](#)

[>>点击查看相关商品](#)