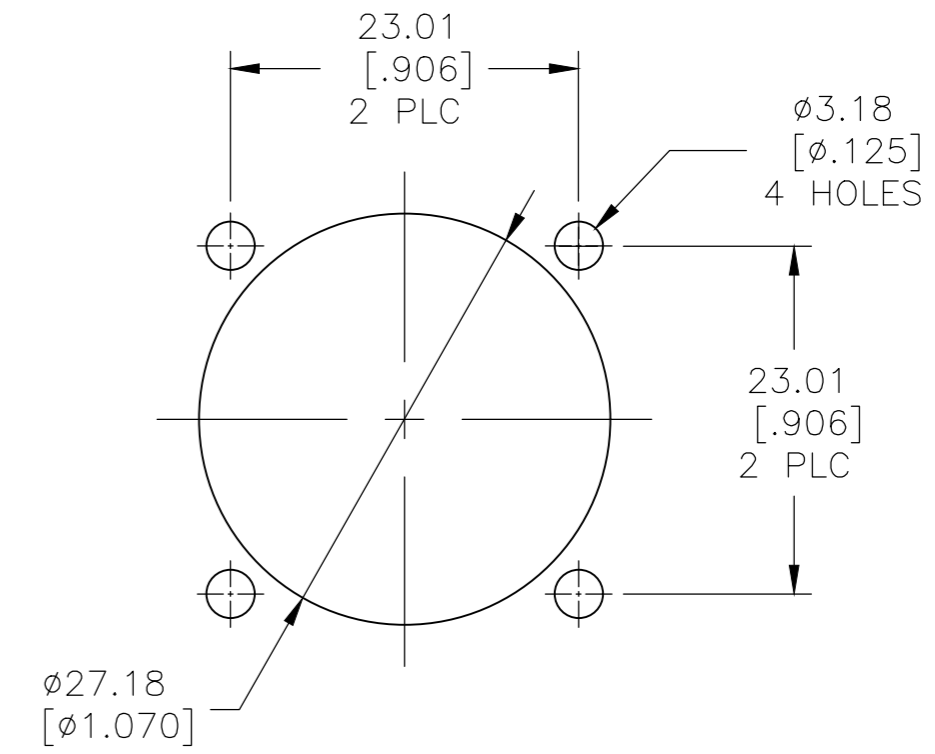
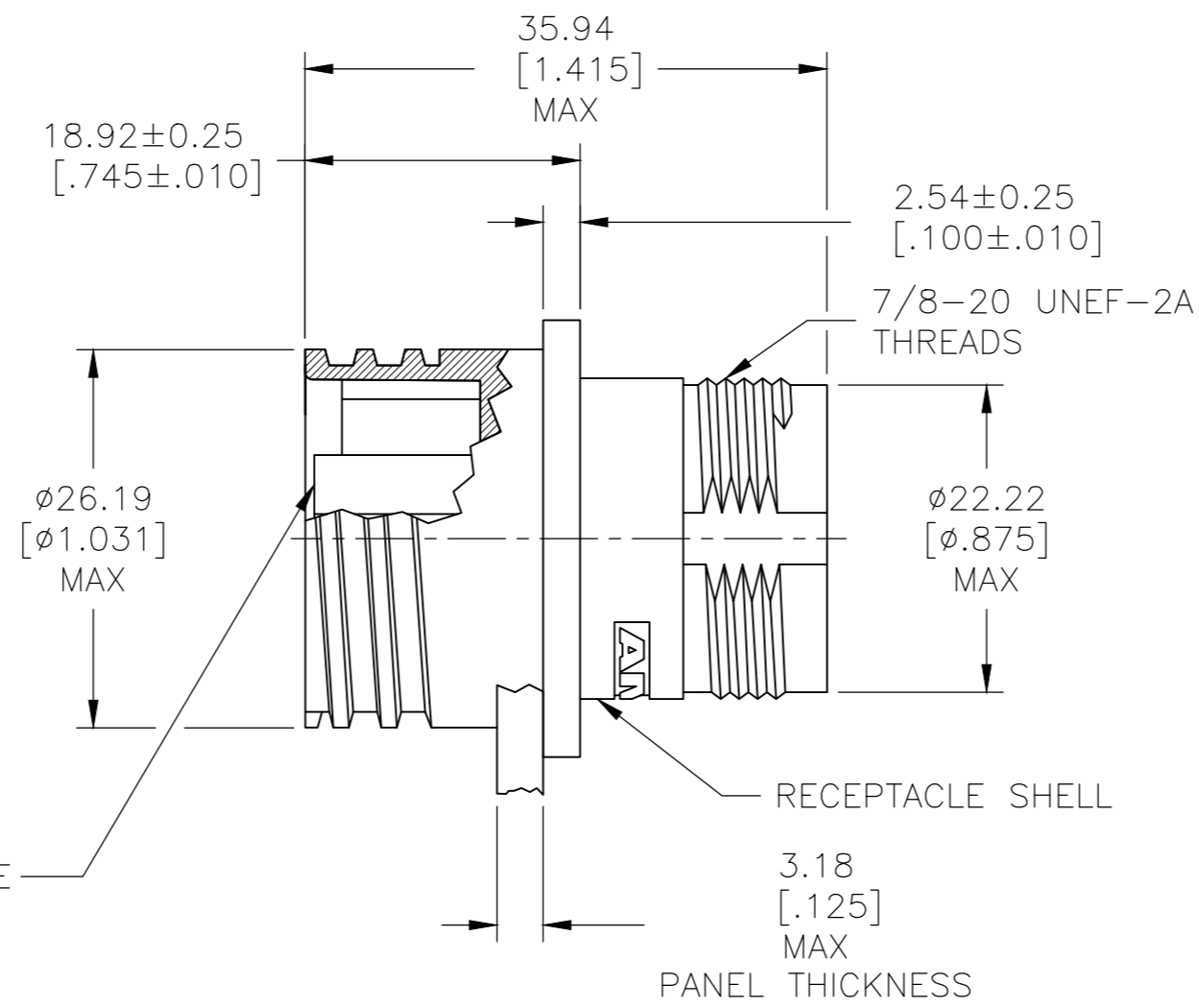
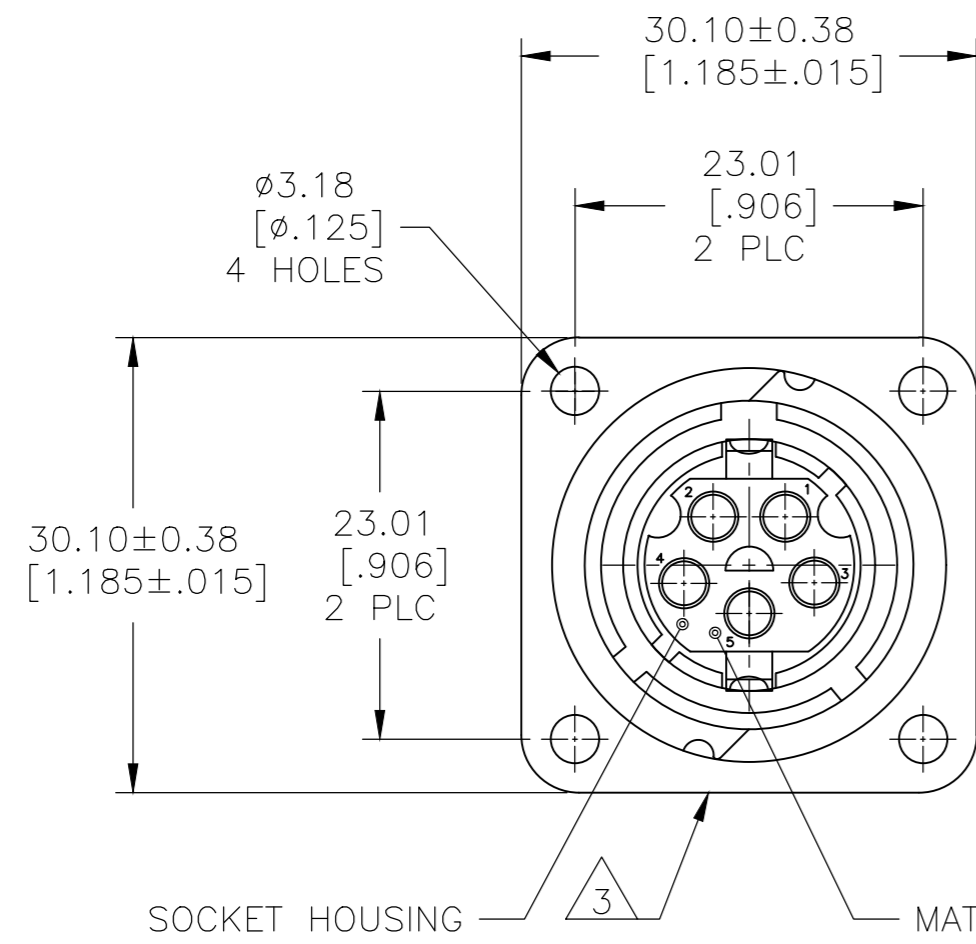


THIS DRAWING IS UNPUBLISHED. RELEASED FOR PUBLICATION
 © COPYRIGHT - TE Connectivity ALL RIGHTS RESERVED.

REVISIONS					
P	LTR	DESCRIPTION	DATE	DWN	APVD
D		REDRAWN PER EC 0020-774-94	09/15/94	-	AF
E		REVISED PER ECO-17-016115	02NOV2017	RS	MZ



SUGGESTED PANEL CUTOUT

- 1 THIS CONNECTOR ACCEPTS FIVE (5) SIZE 16 MULTIMATE SOCKET CONTACTS. MAXIMUM WIRE INSULATION DIAMETER = ϕ .135
- 2 THIS CONNECTOR MATES WITH AMP P/N 208720-1.
- 3 PART NUMBER AND DATE CODE MARKED ON ANY ANY FLANGE EDGE.
- 4 THERMOPLASTIC, BLACK.
- 5 ZINC PER QQ-Z-363.
- 6 NICKEL PER QQ-N-290 OVER COPPER PER MIL-C-14550.

208721-1
PART NO.

THIS DRAWING IS A CONTROLLED DOCUMENT.		DWN T. SMITH 3/19/82												
DIMENSIONS: mm [INCHES]		CHK B. LENKER 9/26/94												
TOLERANCES UNLESS OTHERWISE SPECIFIED:		APVD A. FRANTUM 9/29/94	NAME RECEPTACLE ASSEMBLY, REVERSE SEX, SERIES I, 14-5, CMC											
<table border="0"> <tr><td>0 PLC</td><td>± -</td></tr> <tr><td>1 PLC</td><td>± -</td></tr> <tr><td>2 PLC</td><td>± 0.13[.005]</td></tr> <tr><td>3 PLC</td><td>± -</td></tr> <tr><td>ANGLES</td><td>± -</td></tr> </table>		0 PLC	± -	1 PLC	± -	2 PLC	± 0.13[.005]	3 PLC	± -	ANGLES	± -	PRODUCT SPEC 108-10040	SIZE A2	CAGE CODE 00779
0 PLC	± -													
1 PLC	± -													
2 PLC	± 0.13[.005]													
3 PLC	± -													
ANGLES	± -													
MATERIAL SOCKET HOUSING: 4 RECEPTACLE SHELL: 6		FINISH RECEPTACLE SHELL: 6	DRAWING NO C=208721	RESTRICTED TO -										
CUSTOMER DRAWING			SCALE 2:1	SHEET 1 OF 1										
			REV E											

单击下面可查看定价，库存，交付和生命周期等信息

[>>TE Connectivity\(泰科\)](#)