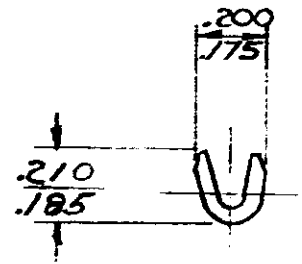
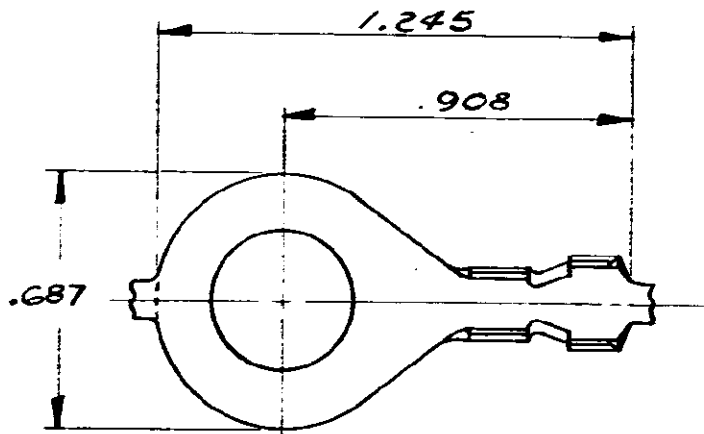
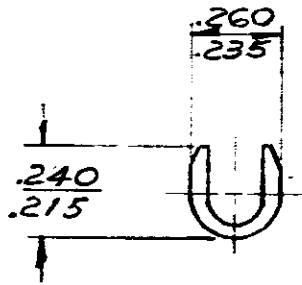
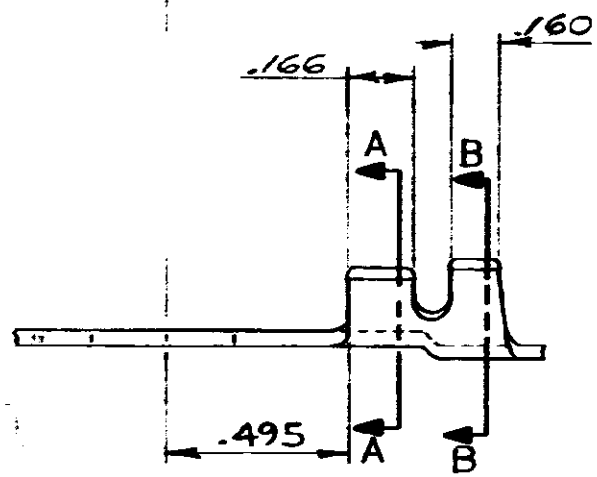


S  
NUMBER  
61336



SECT. - A-A



SECT. - B-B

CONTINUOUS STRIP, ON REELS

WIRE SIZE A.W.G.	INSULATION RANGE	STUD #	HOLE DIA. ±.005	MATERIAL AND FINISH	TERMINAL NUMBER
16-14	.120 - 180	3/8	.390	.040 - BRASS - TIN	61336-1

Unpublished copy not to be reproduced nor published without written permission of AMP Incorporated

DIMENSIONS IN INCHES. DO NOT SCALE PRINT.

©1967 BY AMP INCORPORATED. ALL RIGHTS RESERVED. AMP PRODUCTS COVERED BY PATENTS AND/OR PATENTS PENDING.

**CUSTOMER COPY REFERENCE ONLY**

B .495" ± .500 PER A-5349				11/1/67		MATERIAL AND FINISH		AMP INCORPORATED HARRISBURG, PENNSA.		
A REVISED RELEASED A-1129 MEN				11/1/67		WIRE RANGE INSULATION TYPE		CLASS		
PER SCR A-119								— H —		
WAS P-29877								TYPE		
—								— H —		
LTR REVISION RECORD			DR	CHK	DATE	TOLERANCE EXCEPT AS NOTED ± .015	SCALE 2-1	LOC AF, A	NO 61336	REV B
DR C.M.E. FINK 11-6-67			DE C. MEYERS 11-9-67			NAME RING				
CHK C. MEYERS 11-9-67			APP 11-13-67							

单击下面可查看定价，库存，交付和生命周期等信息

[>>TE Connectivity\(泰科\)](#)