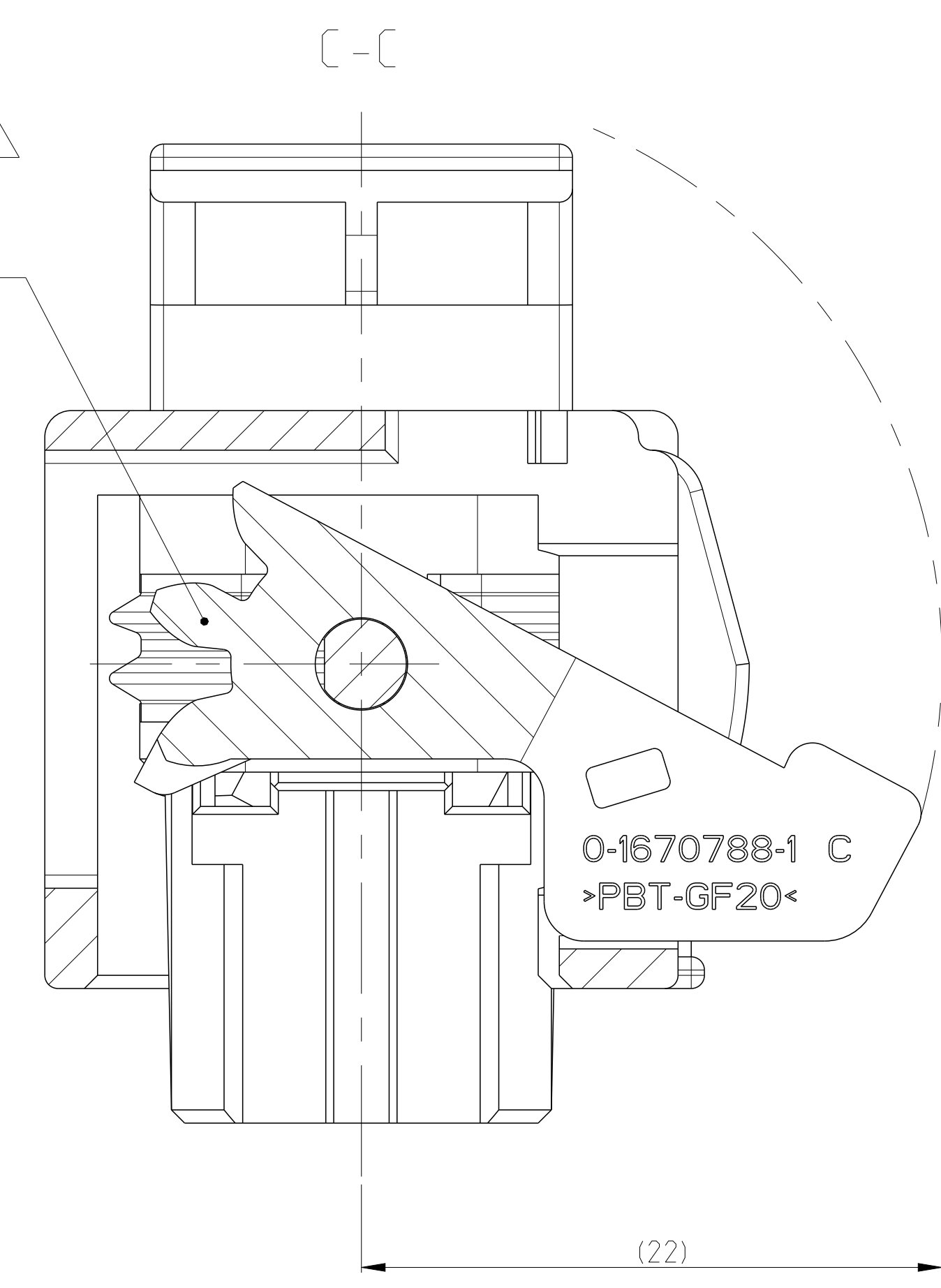
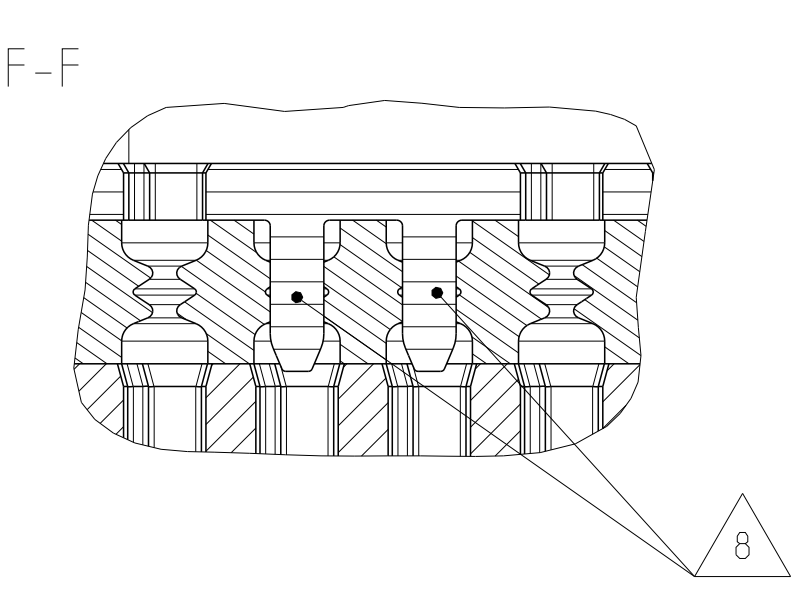
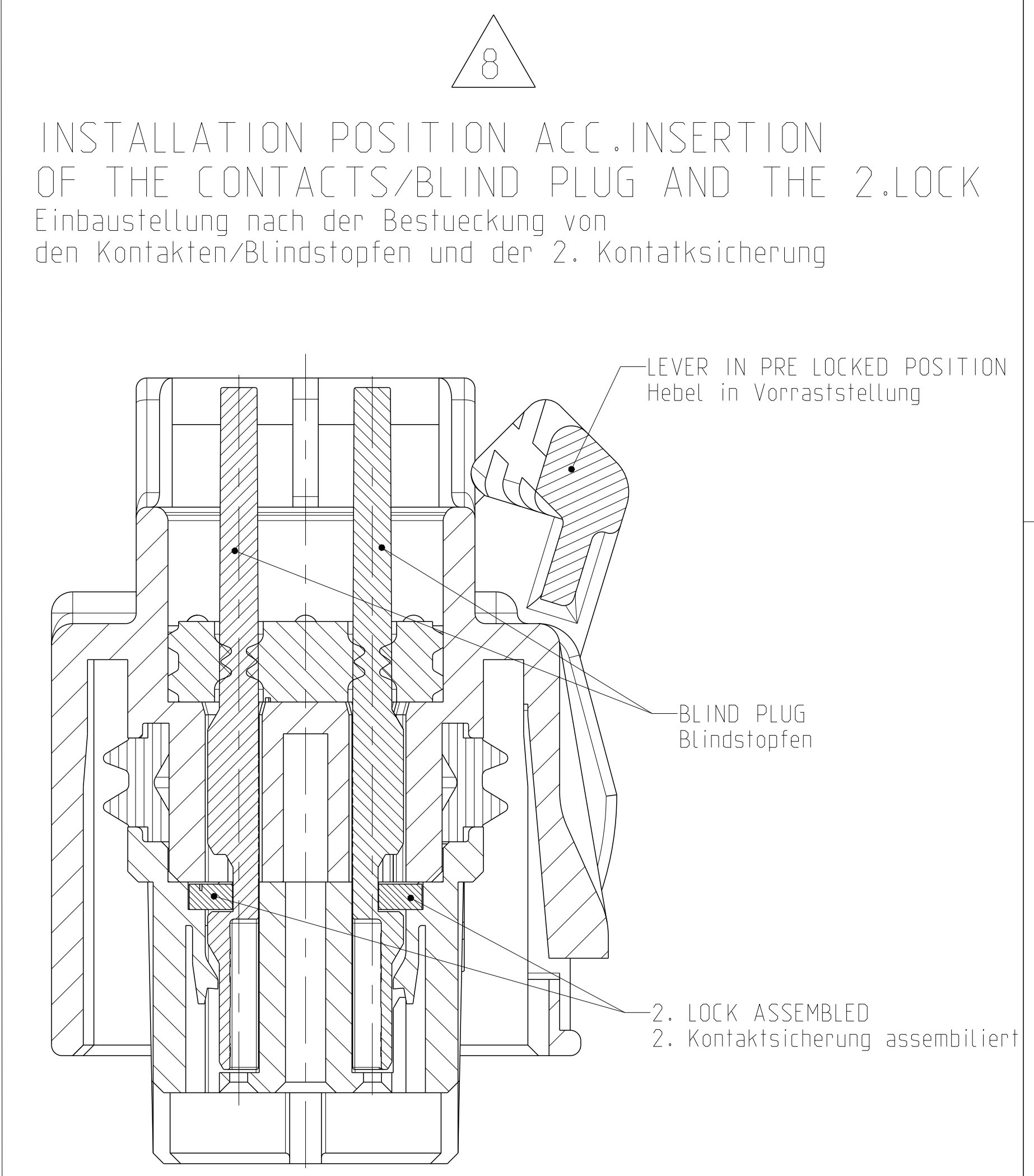
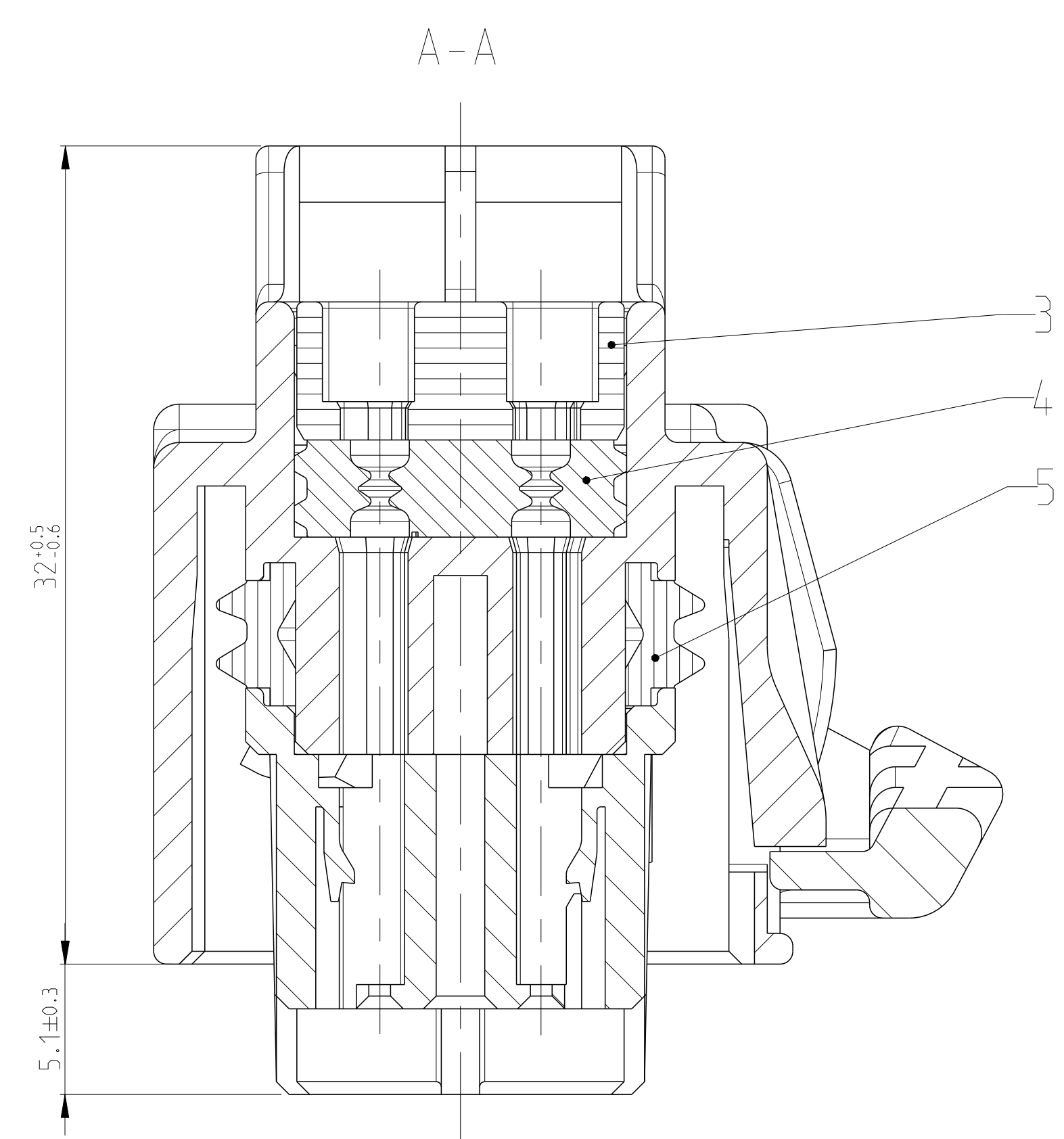
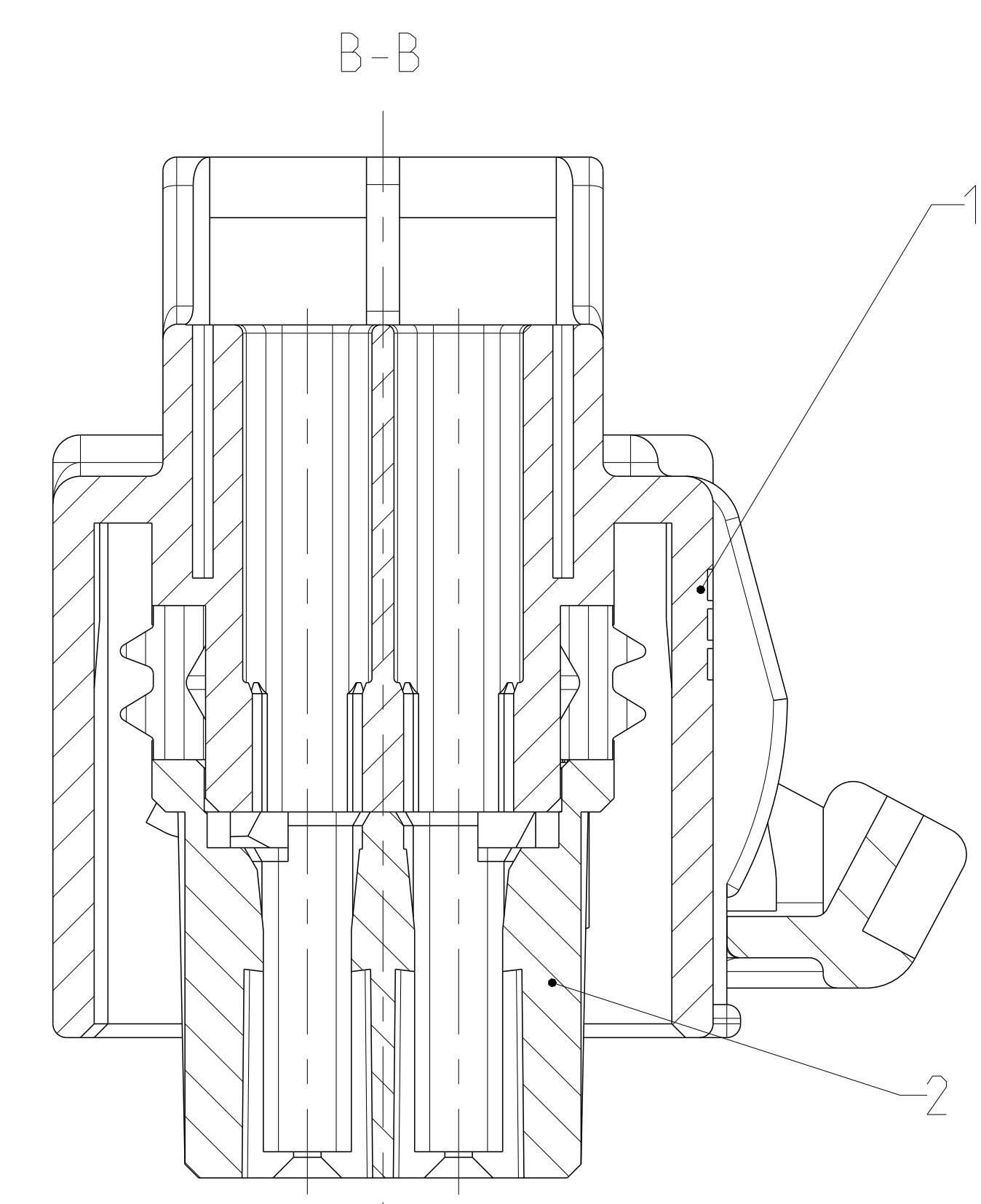
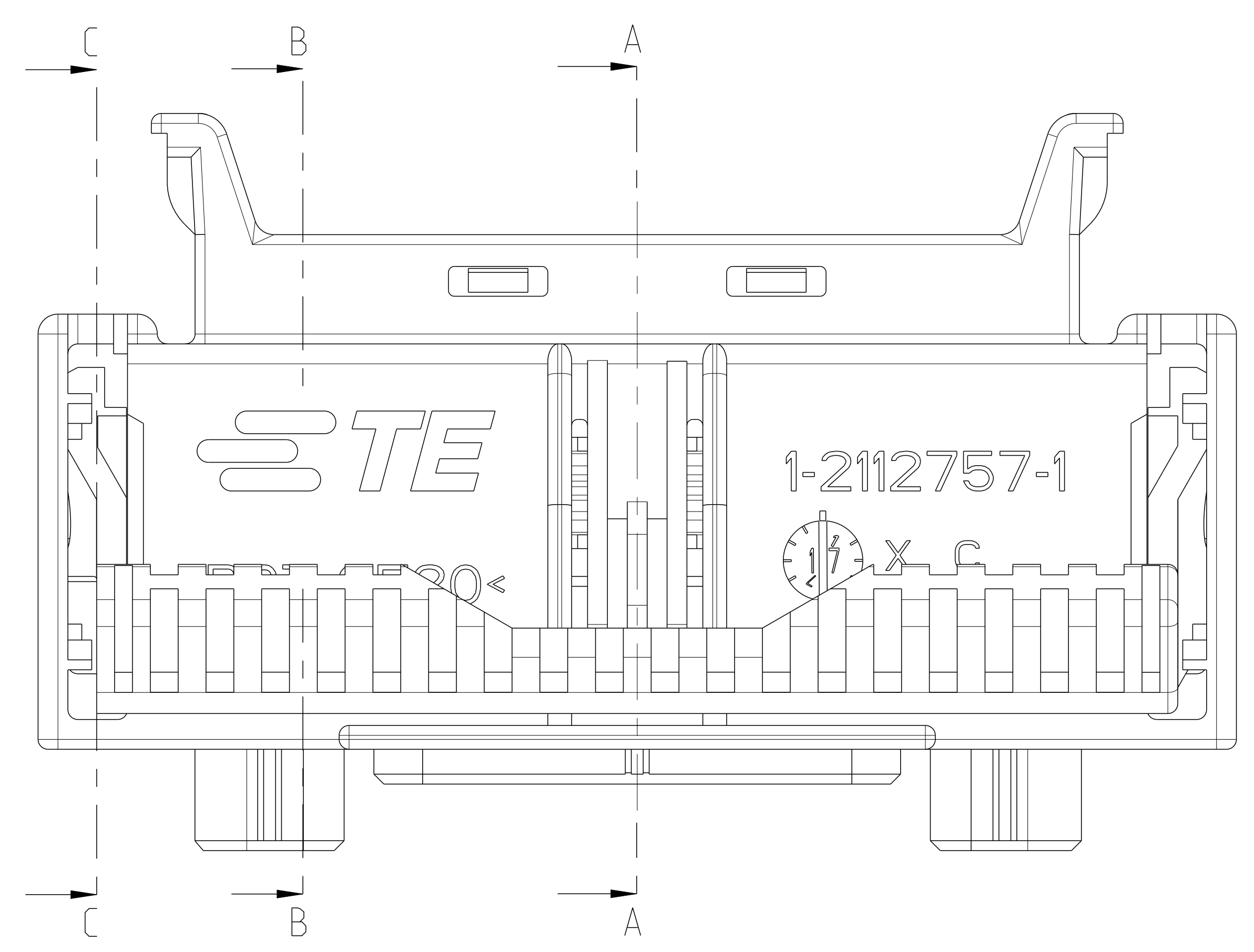
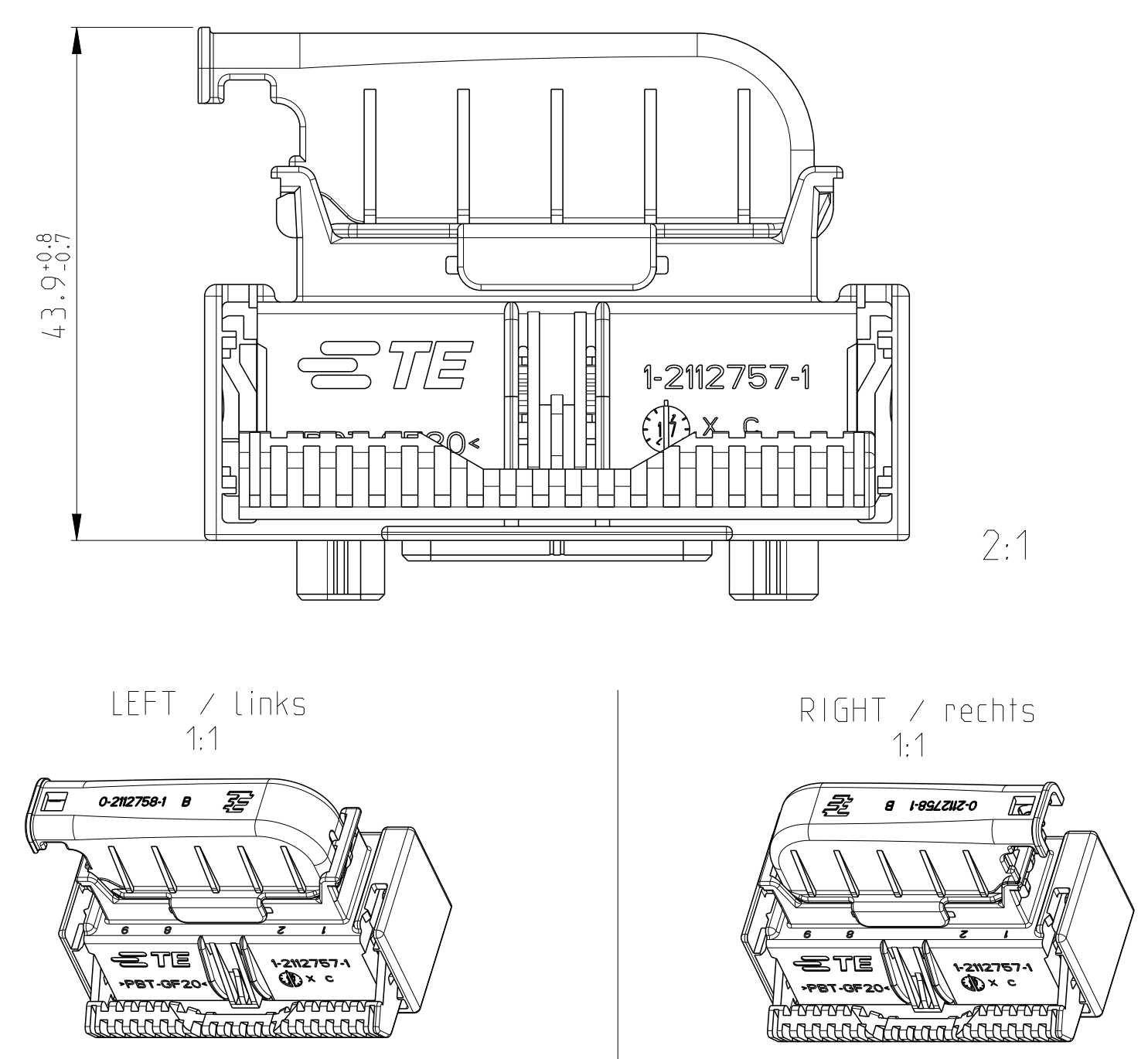
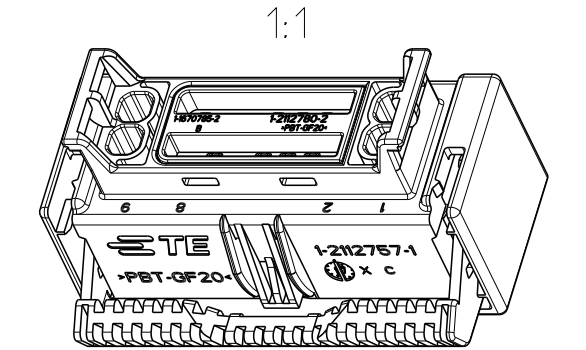


REV	DATE	BY	CHK	APPV
F	27FEB2011	RM	PNJ	
F1	22MAY2011	RM	PNJ	
F2	02MAR2018	RM	PNJ	
F3	11JAN2018	RM	PNJ	

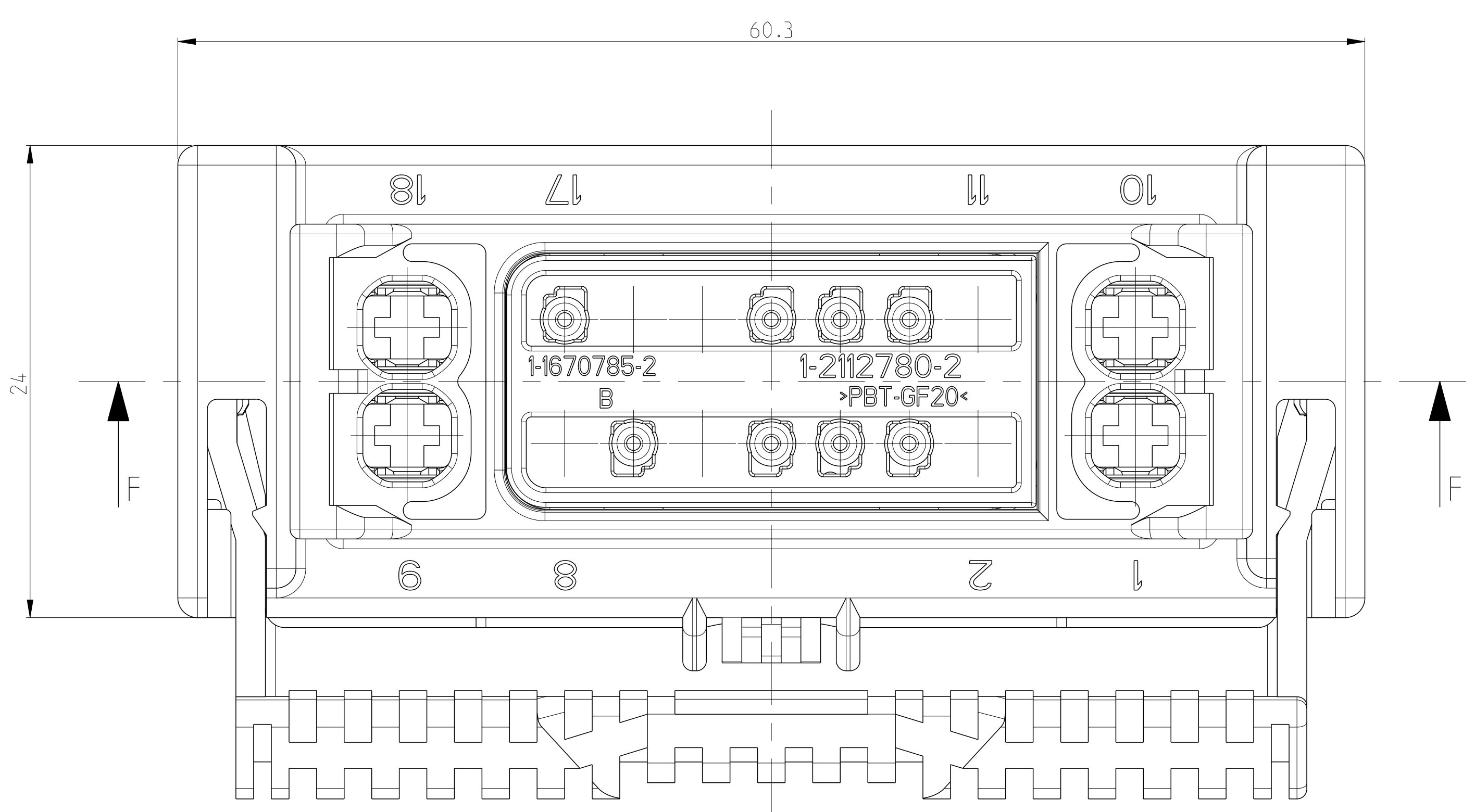
COVER FOR HOUSING  
 LOOSE PIECE TE PN 0-2112758-1  
 OPTIONAL LEFT OR RIGHT CLIP-ON  
 Abdeckkappe fuer Buchsengehaeuse wird separat beigestellt TE NR. 0-2112758-1  
 Abdeckkappe optional links oder rechts aufsteckbar



- NOTES:  
 Bemerkungen:
- PACKAGING: LOOSE PIECE INTO CARTON  
 Verpackung: Schuettpgut in Karton
  - 2-LOCK SEE TE DRAWING NO.1670789  
 COVER SEE TE DRAWING NO.2112758  
 2.Kontaktsicherung siehe TE Zeichnung Nr.1670789  
 Abdeckkappe siehe TE Zeichnung Nr.2112758
  - CAVITY 1, 9, 10 AND 18 SUITABLE FOR CONTACT:  
 2.8mm SENSOR FLAT CONTACT  
 0967543 (STRIP) OR 0967717 (LOOSE PIECE) +1.5mm<sup>2</sup> TO 2.5mm<sup>2</sup>  
 AND 0828905 (SINGLE WIRE SEAL) INSULATION DIA. 2.2mm TO 3.0mm  
 Kammer 1, 9, 10 und 18 passend fuer Kontakt:  
 2.8mm Sensor-Flachkontakt  
 0967543 (Band) oder 0967717 (vereinzel) +1,5mm<sup>2</sup> bis 2,5mm<sup>2</sup>  
 und 0828905 (Einzeldichtung) Isolationsdurchmesser 2,2mm bis 3,0mm
  - CAVITY 2 TO 8 AND 11 TO 17 SUITABLE FOR CONTACT:  
 MCN-1.2 CLEAN BODY  
 1534594 (STRIP) OR 1534595 (LOOSE PIECE) 0.35mm<sup>2</sup>  
 INSULATION DIA. 1.3mm TO 1.75mm  
 1670144 (STRIP) OR 1670145 (LOOSE PIECE) 0.5mm<sup>2</sup> TO 0.75mm<sup>2</sup>  
 INSULATION DIA. 1.4mm TO 1.9mm  
 Kammer 2 bis 8 und 11 bis 17 passend fuer Kontakt:  
 MCN-1.2 CLEAN BODY  
 1534594 (Band) und 1534595 (vereinzel) 0,35mm<sup>2</sup>  
 Isolationsdurchmesser: 1,3mm bis 1,75mm  
 1670144 (Band) und 1670145 (vereinzel) 0,5mm<sup>2</sup> bis 0,75mm<sup>2</sup>  
 Isolationsdurchmesser 1,4mm bis 1,9mm
  - CONTACT SURFACE ACCORDING TO MATING CONNECTOR  
 Kontaktoberflaeche entsprechend dem Gegenstecker



AS SHOWN (DELIVERY CONDITION)  
 WIE GEZEICHNET (Anlieferungszustand)



THIS DRAWING IS A CONTROLLED DOCUMENT.		DATE: 02MAR2010	BY: Nickelfield	CHK: 09APR2010	APPV: 09APR2010
DIMENSIONS: (mm)	TOLERANCES UNLESS OTHERWISE SPECIFIED: DIMENSIONS IN (mm)	SCALE: 1:1	PROJECT SPEC: 114-18653	APPLICATION SPEC: 114-18653	REVISION: A
MATERIAL: PBT-GF20	FINISH: -	WEIGHT: -	REQUIR: -	SCALE: 5:1	SHEET 1 OF 2
CUSTOMER DRAWING		DATE: 00779	SCALE: 2112780	RESTRICTED TO	

REV.	TE ASSY NO.	CLOSED CAVITIES	VERSION	QTY	DESCRIPTION	MATERIAL	COLOUR	ITEM NO.
A	F	2 3 11 12	AM	1	LEVER	PBT-GF20	BLACK	6
				1	RADIAL SEAL	ELASTOSIL	NATURE	5
				1	FAMILY SEAL, MCON-1.2 CB	ELASTOSIL	NATURE	4
				1	COVER FAMILY SEAL, MCON-1.2 CB	PBT-GF20	BLACK	3
				1	18POS. MIXED REC HSG, LOWER PART	PBT-GF30	BLACK	2
				1	18POS. MIXED REC HSG, UPPER PART	PBT-GF20	BLACK	1
A	F	5 7 8 15 16	AL	1	LEVER	PBT-GF20	BLACK	6
				1	RADIAL SEAL	ELASTOSIL	NATURE	5
				1	FAMILY SEAL, MCON-1.2 CB	ELASTOSIL	NATURE	4
				1	COVER FAMILY SEAL, MCON-1.2 CB	PBT-GF20	BLACK	3
				1	18POS. MIXED REC HSG, LOWER PART	PBT-GF30	BLACK	2
				1	18POS. MIXED REC HSG, UPPER PART	PBT-GF20	BLACK	1
A	F	6 7 8 16	AK	1	LEVER	PBT-GF20	BLACK	6
				1	RADIAL SEAL	ELASTOSIL	NATURE	5
				1	FAMILY SEAL, MCON-1.2 CB	ELASTOSIL	NATURE	4
				1	COVER FAMILY SEAL, MCON-1.2 CB	PBT-GF20	BLACK	3
				1	18POS. MIXED REC HSG, LOWER PART	PBT-GF30	BLACK	2
				1	18POS. MIXED REC HSG, UPPER PART	PBT-GF20	BLACK	1
A	F	2 6 7 8 11 15 16	AI	1	LEVER	PBT-GF20	BLACK	6
				1	RADIAL SEAL	ELASTOSIL	NATURE	5
				1	FAMILY SEAL, MCON-1.2 CB	ELASTOSIL	NATURE	4
				1	COVER FAMILY SEAL, MCON-1.2 CB	PBT-GF20	BLACK	3
				1	18POS. MIXED REC HSG, LOWER PART	PBT-GF30	BLACK	2
				1	18POS. MIXED REC HSG, UPPER PART	PBT-GF20	BLACK	1

THIS DRAWING IS A CONTROLLED DOCUMENT.

TE CONNECTIVITY  
 18POS. MIXED REC HSG. ASSY  
 18polig Buchsengehäuse Assy

DATE: 09APR2010  
 DRAWING NO: 114-18653  
 SCALE: 5:1

单击下面可查看定价，库存，交付和生命周期等信息

[>>TE Connectivity\(泰科\)](#)