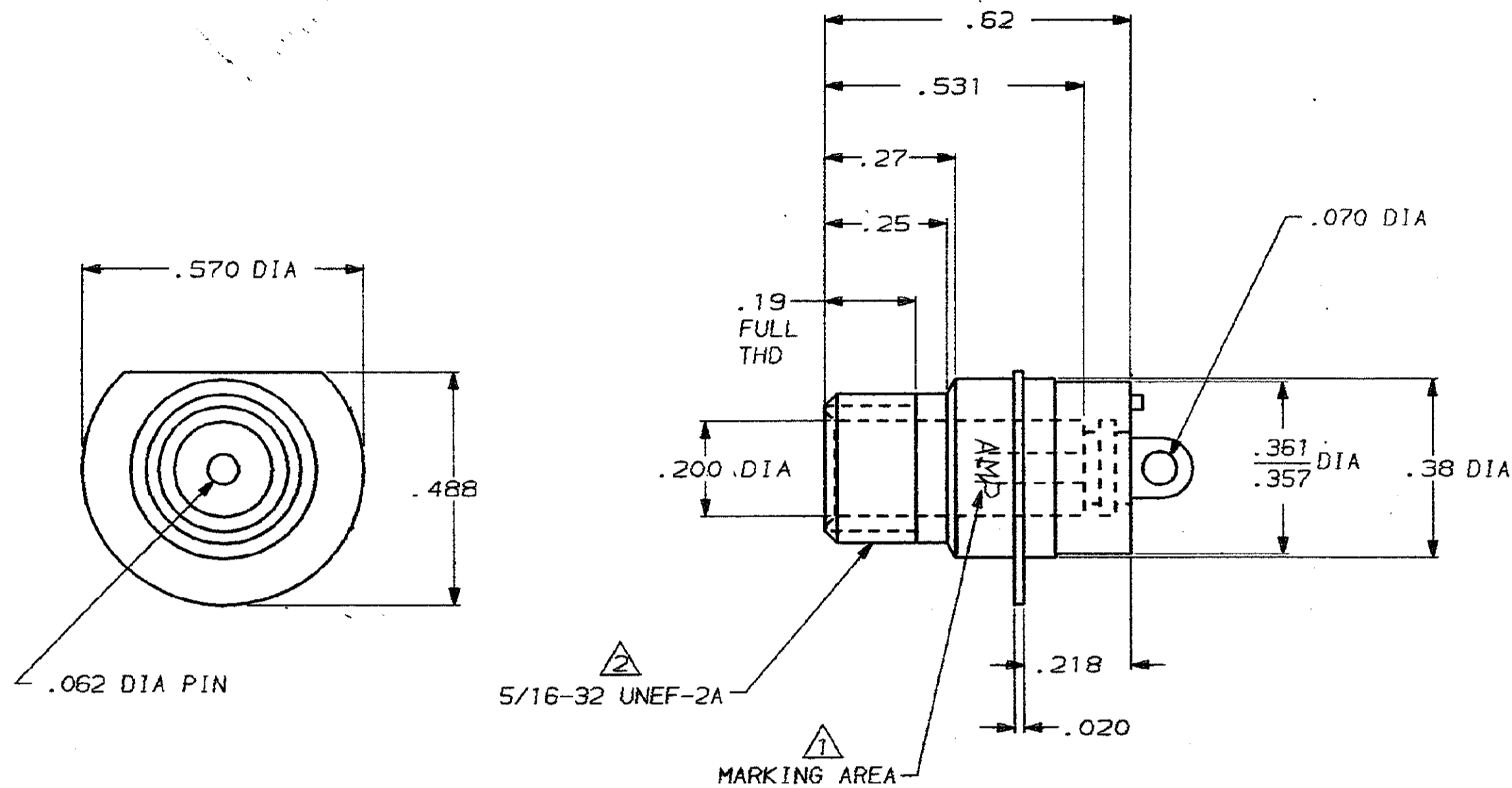


DRAWING MADE IN THIRD ANGLE PROJECTION

THIS DRAWING IS UNPUBLISHED. RELEASED FOR PUBLICATION .19
 © COPYRIGHT 19 BY AMP INCORPORATED, HARRISBURG, PA. ALL INTERNATIONAL RIGHTS RESERVED. AMP PRODUCTS MAY BE COVERED BY U.S. AND FOREIGN PATENTS AND/OR PATENTS PENDING.

LOC	DIST	P	F	ZONE	LTR	DESCRIPTION	DATE	APPROVED
L	37					0 RLSE NPR1575		<i>W. P. ...</i>



- 1 MARKED PER MIL-STD-130.
- 2 SCREW THREAD MEASUREMENT IN ACCORDANCE WITH H28 HANDBOOK, (3 WIRE METHOD), USING WIRE .01804 DIA, MEASUREMENT OVER WIRE SHALL BE .307/.318.
- 3. THIS RECEPTACLE IS HERMETICALLY SEALED.

868696-1
PART NO

UNLESS OTHERWISE SPECIFIED DIMENSIONS ARE IN INCHES TOLERANCES ON :		DR <i>R. N. ... 2-5-86</i>		AMP INCORPORATED Harrisburg, Pa. 17105	
2 PL DEC ±.01 3 PL DEC ±.005 ANGLES ±-		CHK <i>W. P. ... 2-5-86</i>			
MATERIAL -		APPD - <i>D. Crowley</i>		NAME RECEPTACLE, LGH 1/2	
FINISH -		PRODUCT SPEC -		SIZE C	FSCM NO 00779
		APPLICATION SPEC -		DRAWING NO 868696	
		WEIGHT -		SCALE 4:1	
				SHEET 1 OF 1	

单击下面可查看定价，库存，交付和生命周期等信息

[>>TE Connectivity\(泰科\)](#)