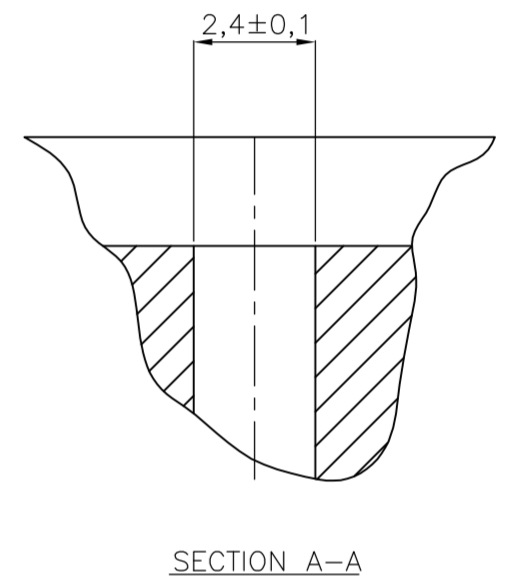
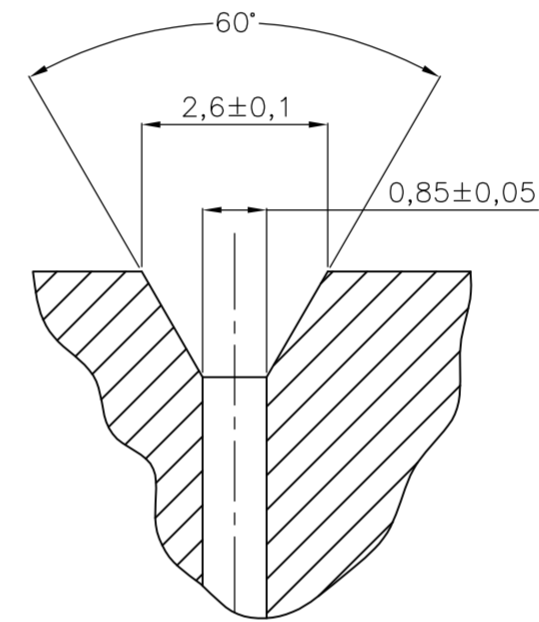
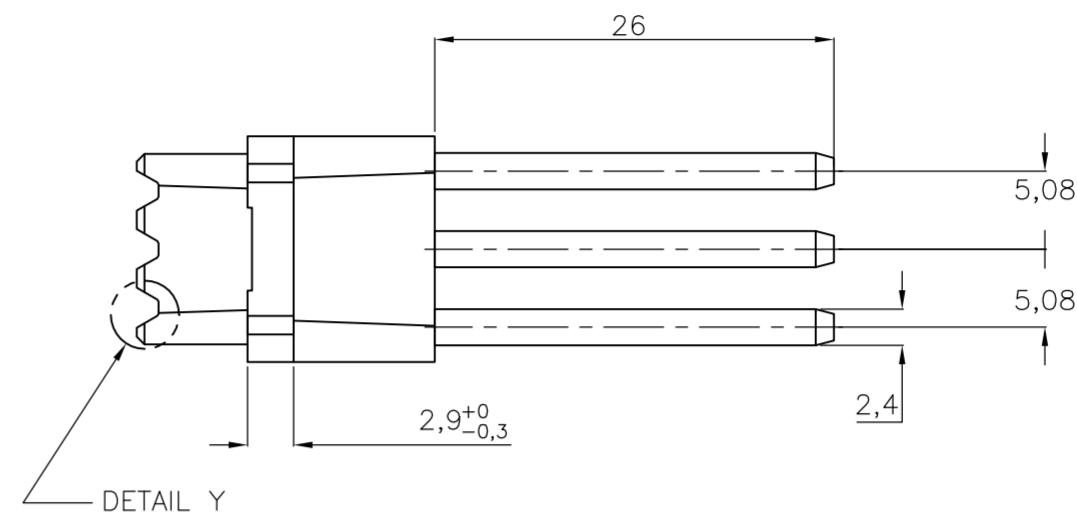
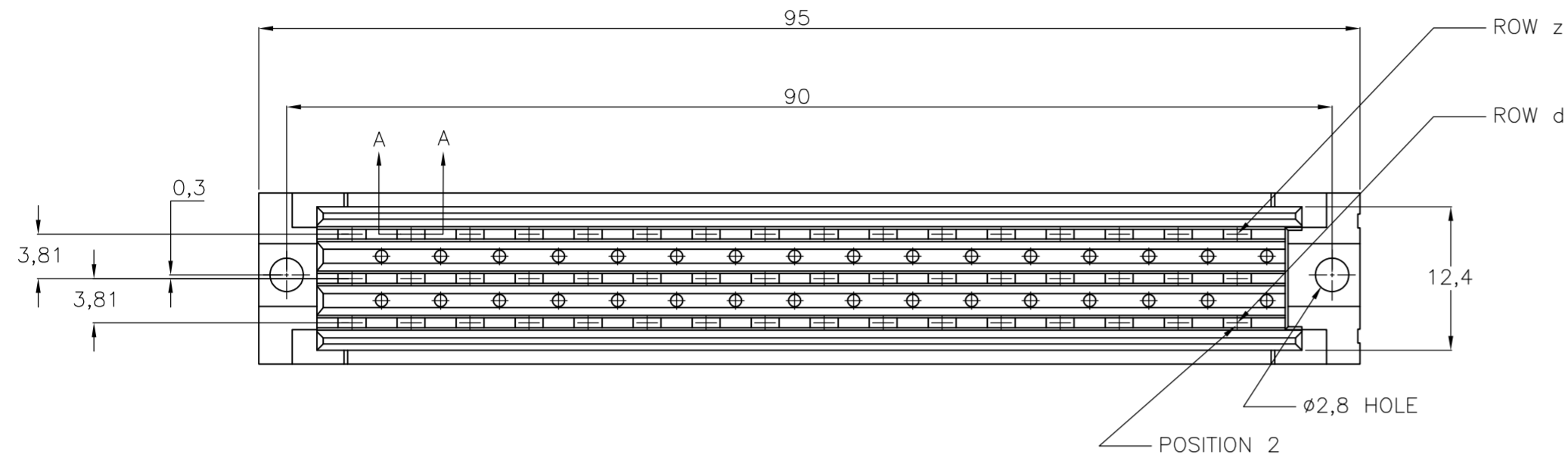


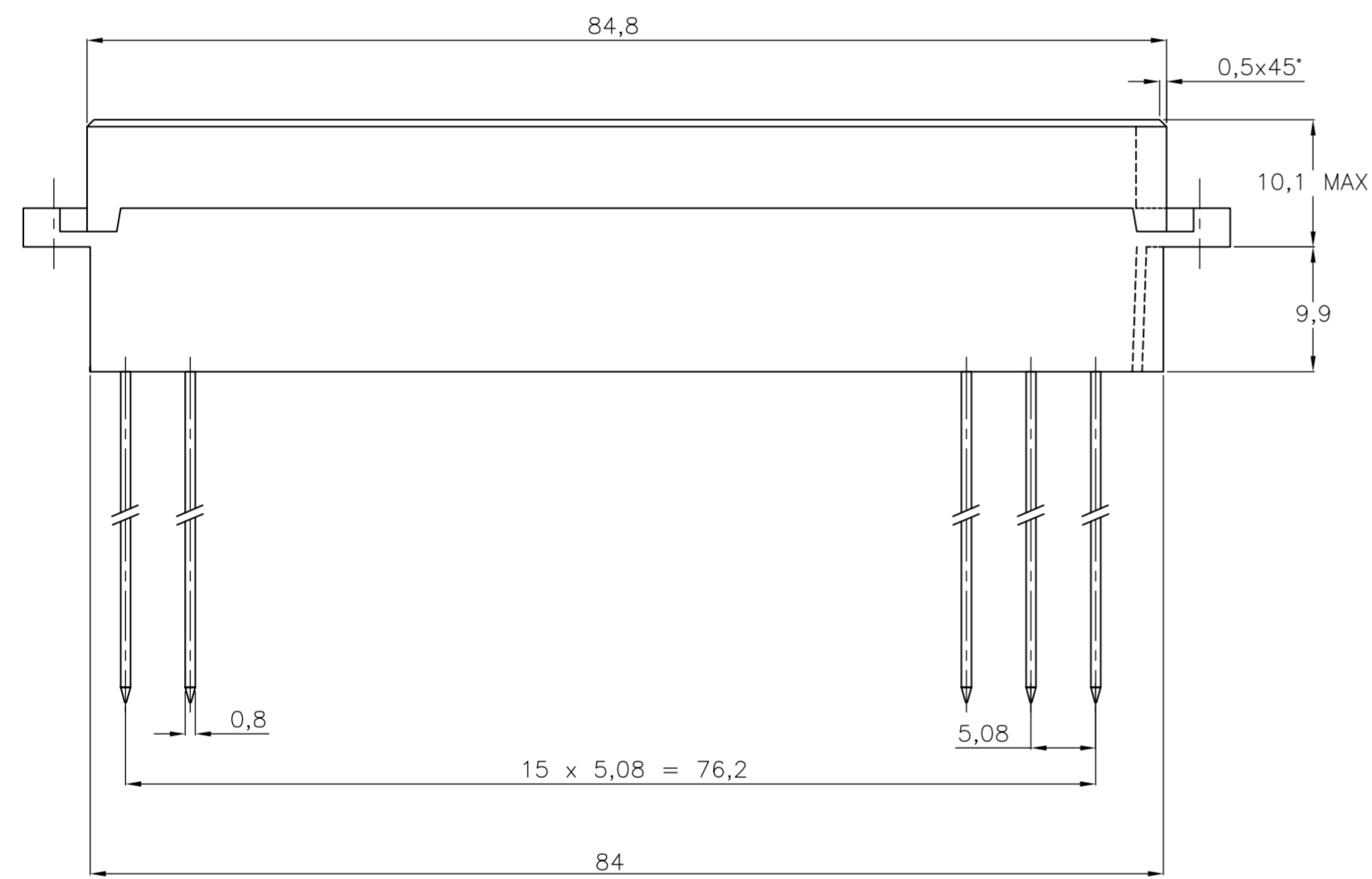
THIS DRAWING IS UNPUBLISHED. RELEASED FOR PUBLICATION
 © COPYRIGHT BY TYCO ELECTRONICS CORPORATION. ALL INTERNATIONAL RIGHTS RESERVED.

LOC		DIST		REVISIONS			
P	LTR	DESCRIPTION		DATE	DWN	APVD	
	A	-		-	-	-	
	F	ECR-07-020965		05-02-09	AEG	MKO	



D
C
B
A

D
C
B
A



POS	2	4	6	8	10	12	14	16	18	20	22	24	26	28	30	32
ROW z	X	X	X	X	X	X	X	X	X	X	X	X	X	X	X	X
ROW d	X	X	X	X	X	X	X	X	X	X	X	X	X	X	X	X

AN ASTERISK X DENOTES A CONTACT.

OBSOLETE	2-166010-8	HOUSING: CLASSIFIED POLYCARBONATE (GREY) CONTACTS: PHOSPHORBRONZE	AT CONTACT AREA 0,4 μm Au OVER 1,25 μm Ni. AT POST AREA GOLDFLASH OVER 1,25 μm Ni.
OBSOLETE	2-166010-7		AT CONTACT AREA 2,0 μm Au OVER 1,25 μm Ni. AT POST AREA GOLDFLASH OVER 1,25 μm Ni.
OBSOLETE	2-166010-6		AT CONTACT AREA 3,75 μm Au OVER 1,25 μm Ni. AT POST AREA GOLDFLASH OVER 1,25 μm Ni.
OBSOLETE	2-166010-4		AT CONTACT AREA 0,8 μm Au OVER 1,25 μm Ni. AT POST AREA GOLDFLASH OVER 1,25 μm Ni.
	2-166010-1		AT CONTACT AREA 1,25 μm Au OVER 1,25 μm Ni. AT POST AREA GOLDFLASH OVER 1,25 μm Ni.
	ORDER No.	MATERIAL	PLATING

THIS DRAWING IS A CONTROLLED DOCUMENT.

DIMENSIONS: INCHES	TOLERANCES UNLESS OTHERWISE SPECIFIED:	DWN: A.J.L. AMBAUM 25.08.95	CHK: J.GIBBELS	APVD: -	PRODUCT SPEC: -	APPLICATION SPEC: -	WEIGHT: -	SCALE: A2	CAGE CODE: 00779	DRAWING NO: C=166010	RESTRICTED TO: -
0 PLC ± - 1 PLC ± - 2 PLC ± - 3 PLC ± - 4 PLC ± - ANGLES ± - FINISH -		Tyco Electronics Corporation 's-Hertogenbosch, Nederland		NAME: 48 POS. FEMALE RC CONN. ACC. TO DIN 41612, F.48F-CIM WITH MAXI TERMI POINT POSTS			CUSTOMER DRAWING		SHEET 1 of 1	REV F	

单击下面可查看定价，库存，交付和生命周期等信息

[>>TE Connectivity\(泰科\)](#)