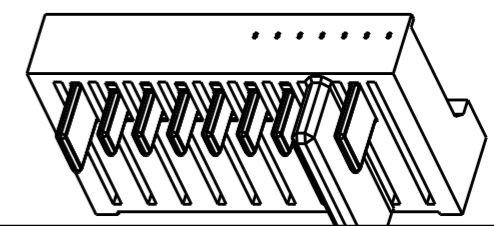
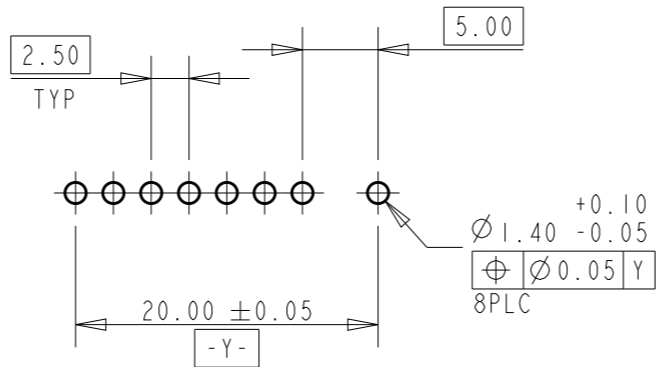
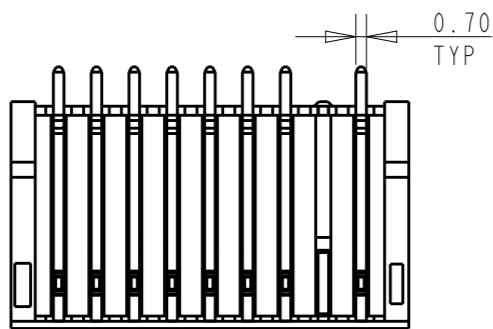
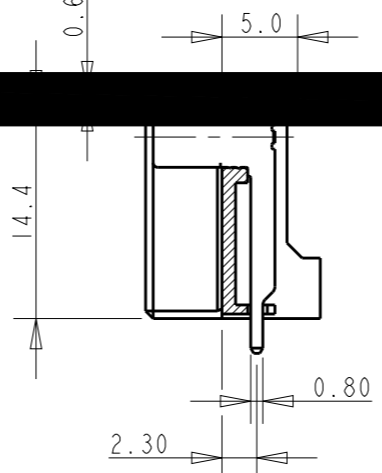
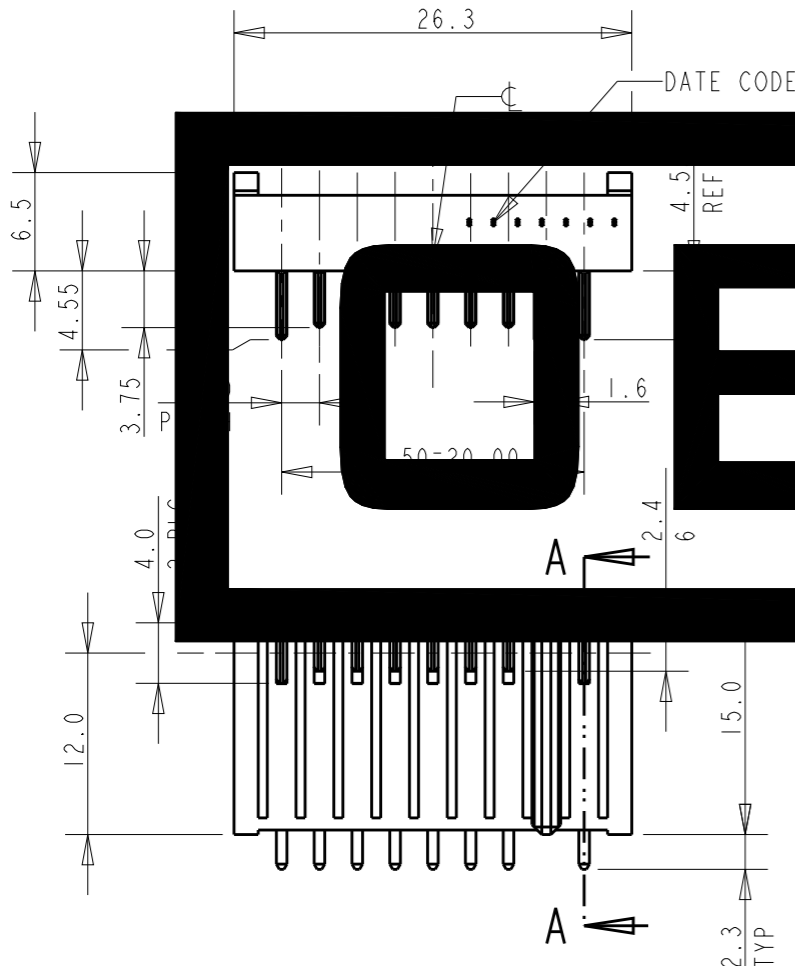


LOC	DIST	REVISIONS			
P	LTR	DESCRIPTION	DATE	DWN	APVD
ES	00	A1	RELEASED PER ECR-09-002836	12FEB2009	S.W S.Y
		A2	RELEASED PER ECR-09-005272	2MAR2009	S.W S.Y
		B	REVISED TO ADD *-3	24SEP2013	E.L WK.H
		B1	OBSOLETE	05JUN2019	K.G W.H



REFERENCE P.C. BOARD LAYOUT  
 P.C. BOARD THK 0.8-1.2  
 (VIEW FROM CONNECTOR MOUNTING SIDE)

**OBSOLETE**



- 1 MATERIAL  
HOUSING: THERMOPLASTIC RESIN, BLACK, UL V-0
- 2 FINISH  
CONTACT: Ni ALL OVER UNDER PLATING.  
GOLD PLATING AT CONTACT AREA.  
GOLD FLASH PLATING AT SOLDER AREA.

2.7	9.6	10.2	7.2	1932123-3
2.7	9.6	10.2	7.2	1932123-2
3.5	14.4	15	12	1932123-1
NET WEIGHT	DIM.N	DIM.M	DIM.L	PART NUMBER

THIS DRAWING IS A CONTROLLED DOCUMENT FOR TYCO ELECTRONICS CORPORATION IT IS SUBJECT TO CHANGE AND THE CONTROLLING ENGINEERING ORGANIZATION SHOULD BE CONTACTED FOR THE LATEST REVISION.		DWN T.YU 03JUL2008 CHK S.ZHAO 03JUL2008 APVD S.YAO 03JUL2008		Tyco Electronics Shanghai P.R.CHINA 200233	
DIMENSIONS: mm		TOLERANCES UNLESS OTHERWISE SPECIFIED: 0 PLC ±0.25 1 PLC ±0.10 2 PLC ±0.10 3 PLC ±0.10 4 PLC ±0.10 ANGLES ±3°		NAME PLUG ASSEMBLY 2.5mm PITCH BATTERY CONNECTOR CENTER HEIGHT=12.0mm	
MATERIAL 1		FINISH 2		PRODUCT SPEC - APPLICATION SPEC - WEIGHT 3.5g SIZE A3 CAGE CODE 00779 DRAWING NO G-1932123 RESTRICTED TO	
CUSTOMER DRAWING				SCALE 2:1 SHEET 1 OF 1 REV B1	

单击下面可查看定价，库存，交付和生命周期等信息

[>>TE Connectivity\(泰科\)](#)